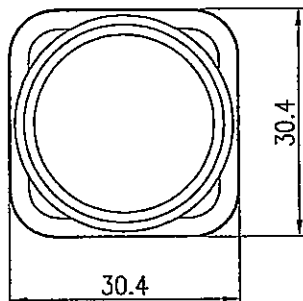
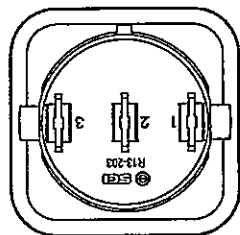
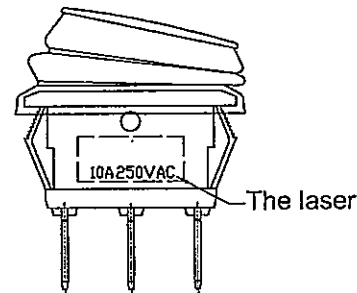
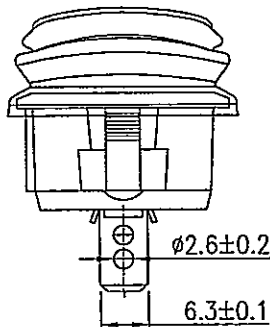
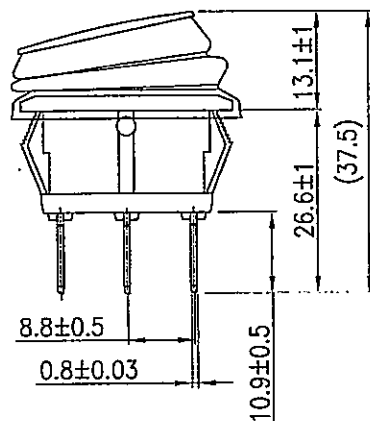


Rating	10A 250V AC		
Contact Resistance	50m ohm Max		
Insulation Resistance	DC 500V 100M ohm Min		
Dielectric Strength	AC 1500V 1 minute		
Operation Temperature	-25°C~85°C		
Switch Function	3P SPST ON-OFF (LED dependent)		



Material:
 Frame: Black, Nylon 66
 Actuator: Yellow, PC
 Terminals: Copper alloy
 Waterproof Rubber: Silicone
 Waterproof: IP65



Tolerances ±0.3 Unless Otherwise Specified

								△
								△
Date	Name	Description					No.	
Drawn	Checked	Approved	SCI BOM No.	Model Name		ROCKER SWITCH		
曾敏捷	<i>[Signature]</i>	<i>[Signature]</i>	Customer No.	Model No.		R13-203B84-01-BYYN5		Rev.
08/08/17	8/8-17	8/9-17	Unit	mm	Shin Chin Industrial Co., Ltd.			X0