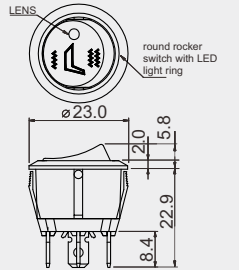


# R13 ROCKER SWITCH

Auto power adapter and accessories

R13-112     H-0     2



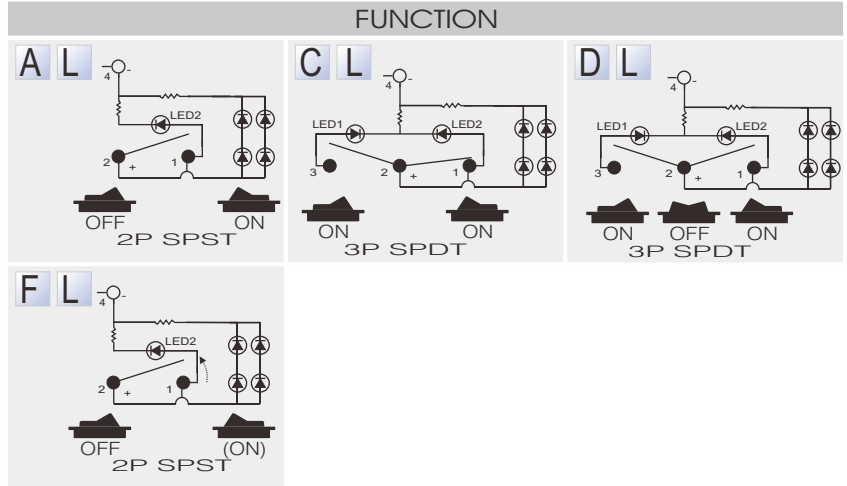
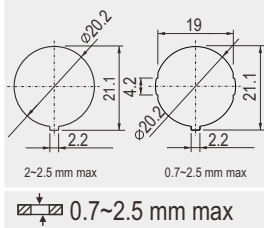
0 2 .187" SQ

20A 14V DC  
10A 28V DC

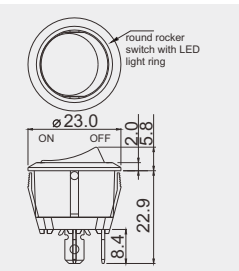
### FEATURES

- \* MATERIAL: Frame & lens is PC.
- \* LED light ring always illuminated.
- \* The graphic is hot stamping.

### Cut-out



R13-112     H-0     2 -    



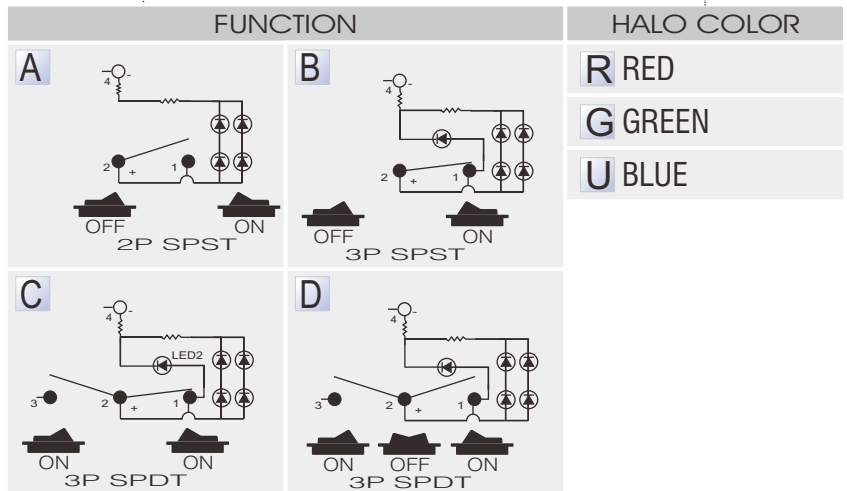
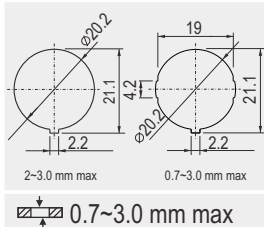
0 2 .187" SQ

20A 14V DC

### FEATURES

- \* MATERIAL: Frame & actuator is PC.
- \* LED light ring always illuminated.

### Cut-out



### HALO COLOR

R	RED
G	GREEN
U	BLUE