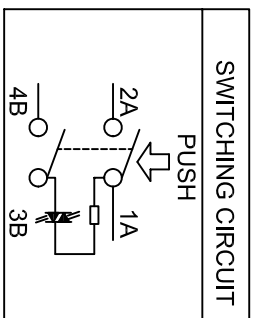
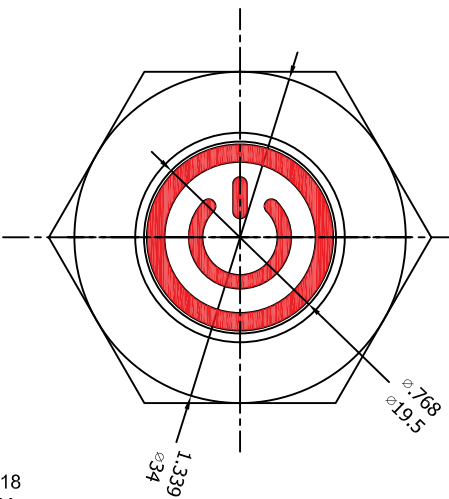
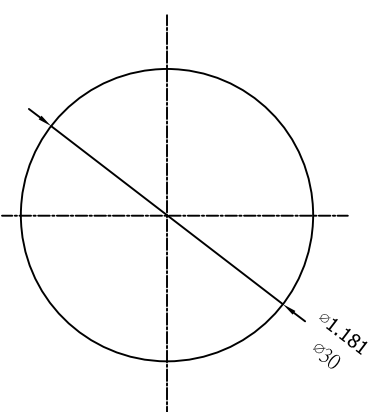
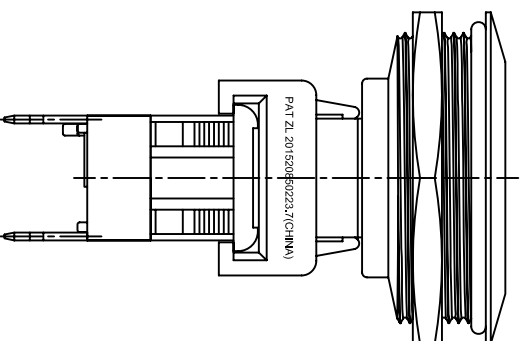
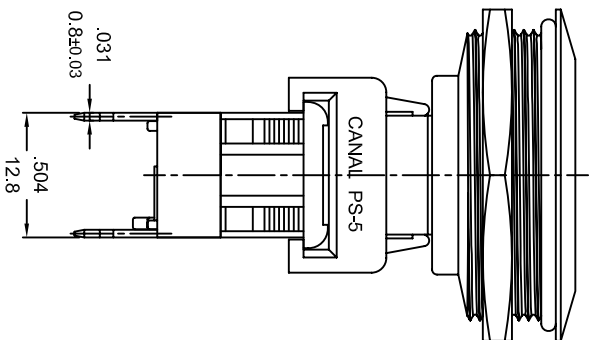
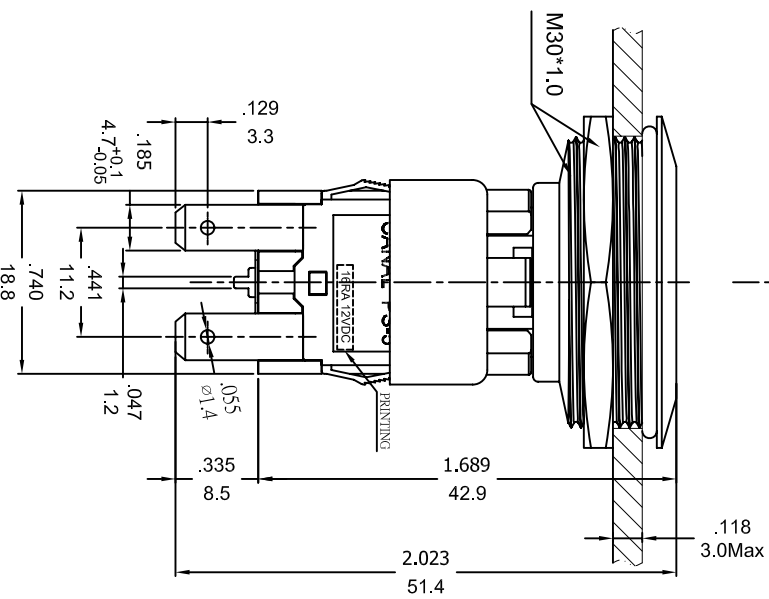


嘉尼企業股份有限公司 CANAL ELECTRONIC CO.,LTD.



SPECIFICATION MODEL : "PS5" SERIES
RATING: 16RA 12VDC(cURus/ENEC15)
 16(4)A 250V~ T125/55(CQC)
 WITHSTAND VOLTAGE: 1500VAC 1 MINUTE
 CONTACT RESISTANCE: 20mΩ INITIAL (MAX),
 PROTECTION TYPE: IP65(PANEL WATERPROOF)
 MECHANICAL COLLISION PROTECTION TYPE: IK07
 INSULATION RESISTANCE: 500VDC - 100MΩ (MIN).
 ILLUMINATION: RED LED 12VDC(Don't have to distinguish between the anode and cathode polarity)



NOTE: TOLERANCES UNLESS OTHERWISE SPECIFIED: ±.012/0.3 (In/mm)



REVISION	DESCRIPTION	REVISED BY	TOLERANCES		ANGLE	SCALE	UNIT	PART NAME	PSS SPEC DRAWING	DWG NO
△			DRAWN BY	達志各	1°	5/4	mm			
△			CHECKED BY	[Signature]						
△			DESIGNED BY	蔡劍						
△			APPROVED BY	[Signature]						
△	首次出圖	達志各	DATE	2018.09.06				PART NO	PSS-210SH-BRD-0PAC	S7567A