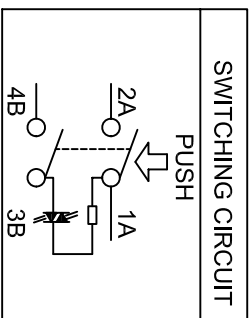
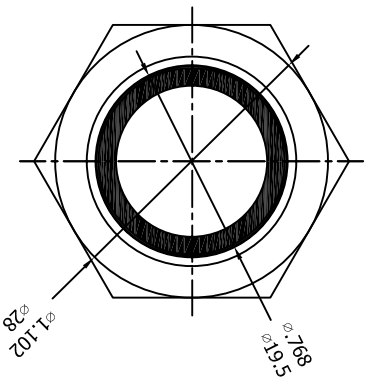
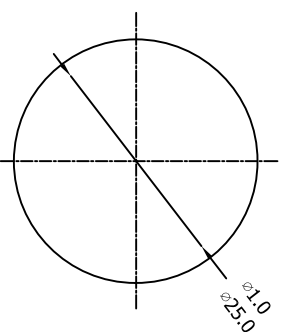
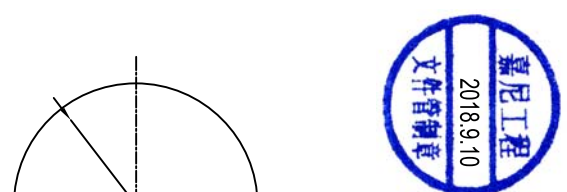
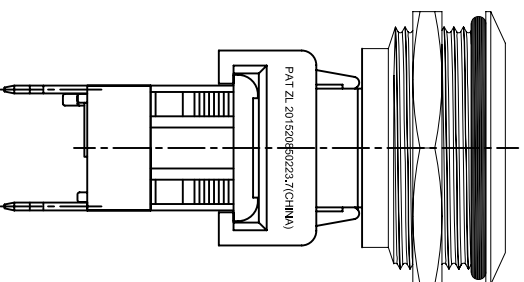
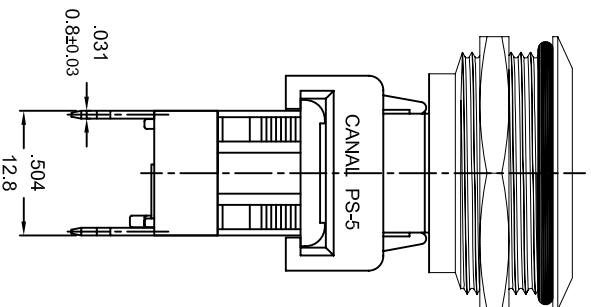
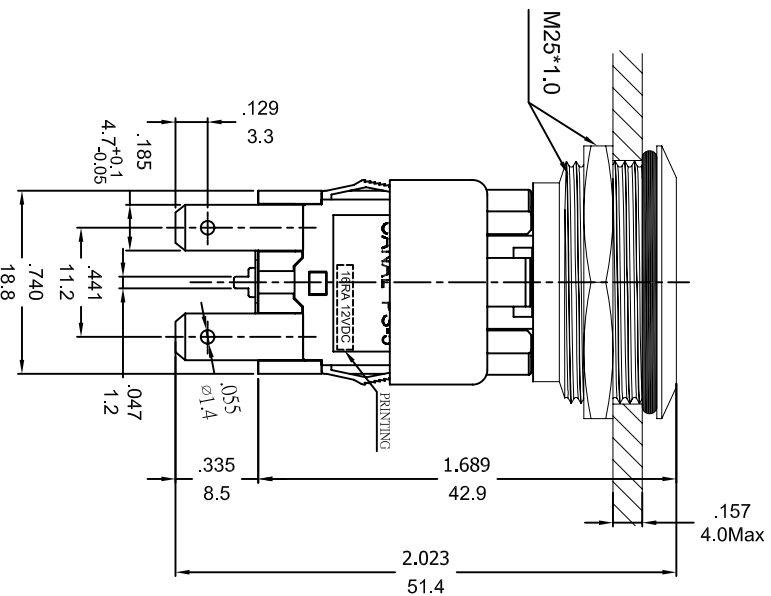


嘉尼企業股份有限公司 CANAL ELECTRONIC CO.,LTD.



SPECIFICATION MODEL : "PS5" SERIES
RATING:16RA 12VDC(cURus/ENEC15)
 16(4)A 250V~ T125/55(CQC)
WITHSTAND VOLTAGE:1500VAC 1 MINUTE
CONTACT RESISTANCE:20mΩ INITIAL (MAX),
PROTECTION TYPE:IP65(PANEL WATERPROOF)
MECHANICAL COLLISION PROTECTION TYPE:IK07
INSULATION RESISTANCE:500VDC - 100MΩ (MIN).
ILLUMINATION: BLUE LED 12VDC(Don't have to distinguish between the anode and cathode polarity)



PANEL MOUNTING

NOTE:TOLERANCES UNLESS OTHERWISE SPECIFIED:±.012/0.3 (In/mm)

| REVISION | DESCRIPTION | REVISED BY | TOLERANCES | | ANGLE | SCALE | UNIT | PART NAME | PART NO | DWG NO |
|----------|-------------|------------|-------------|-------------|-------|------------|------|--------------------|---------|--------|
| △ | | | DRAWN BY | 達志各 | 1/2" | 5/4 | mm | PSS5 SPEC DRAWING | | |
| △ | | | CHECKED BY | [Signature] | | | | | | |
| △ | | | DESIGNED BY | 蔡劍 | | | | | | |
| △ | | | APPROVED BY | [Signature] | | | | | | |
| △ | 首次出圖 | 達志各 | | | | 2018.09.06 | | PSS-210RH-BUD-0RAC | | S7568A |