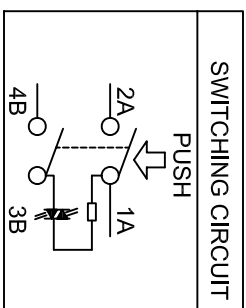
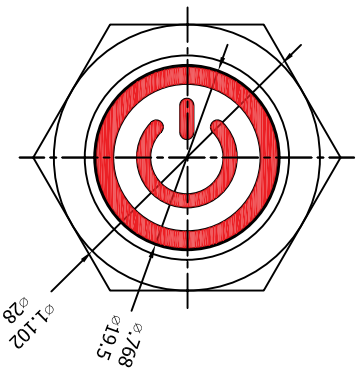
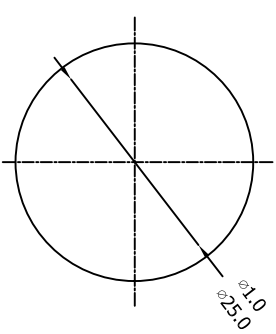
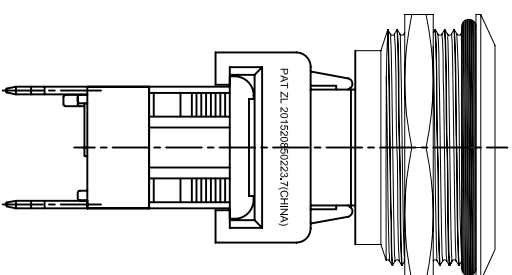
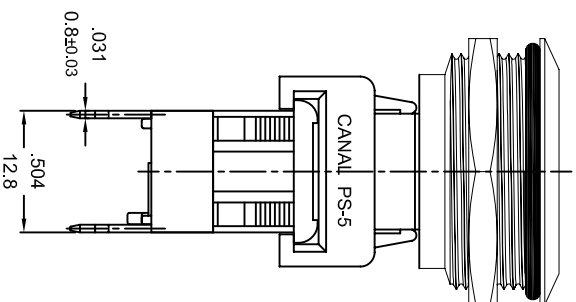
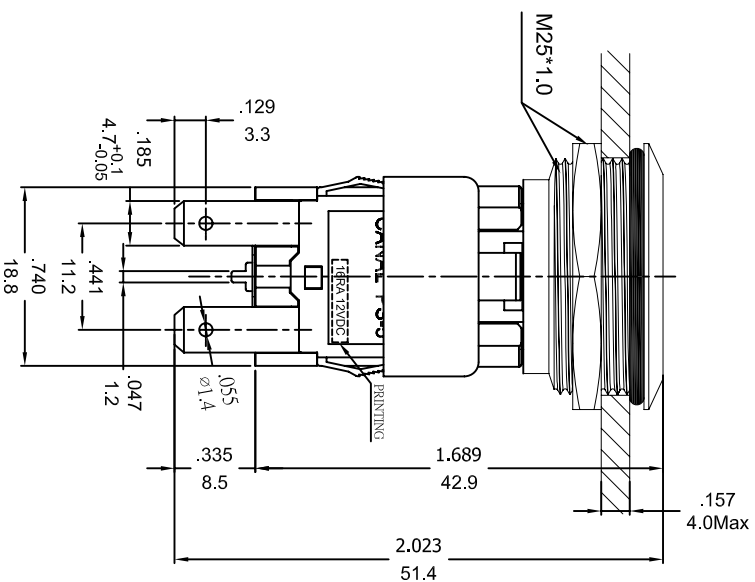


# 嘉尼企業股份有限公司 CANAL ELECTRONIC CO.,LTD.



**SPECIFICATION MODEL : "PS5" SERIES**  
 RATING: 16RA 12VDC (cURus/ENEC15)  
 16(4)A 250V~ T125/55 (CQC)  
 WITHSTAND VOLTAGE: 1500VAC 1 MINUTE  
 CONTACT RESISTANCE: 20mΩ INITIAL (MAX),  
 PROTECTION TYPE: IP65/PANEL WATERPROOF  
 MECHANICAL COLLISION PROTECTION TYPE: IK07  
 INSULATION RESISTANCE: 500VDC - 100MΩ (MIN).  
 ILLUMINATION: RED LED 12VDC (Don't have to distinguish between the anode and cathode polarity)



PANEL MOUNTING

NOTE: TOLERANCES UNLESS OTHERWISE SPECIFIED: ±.012/0.3 (in/mm)

REVISION	DESCRIPTION	REVISED BY	TOLERANCES	ANGLE	SCALE	UNIT	PART NAME	PSS SPEC DRAWING	DWG NO
△			DRAWN BY 達志各	1/4"	5/4	mm			
△			CHECKED BY 達志各						
△			DESIGNED BY 蔡劍						
△			APPROVED BY 蔡劍						
△	2018.09.06	首次出圖			2018.09.06		PSS-210RH-BRD-0PAC		S7569A