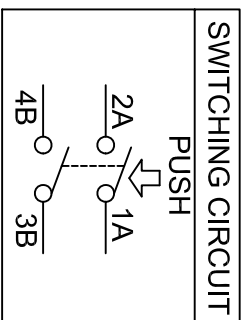
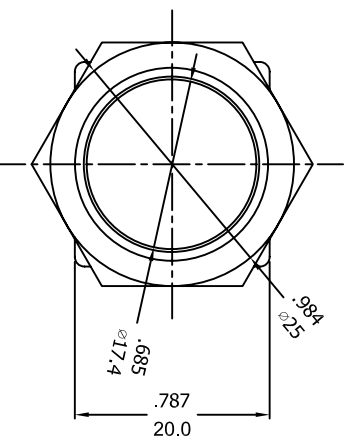
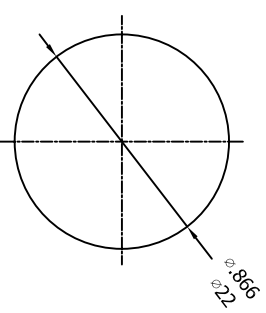
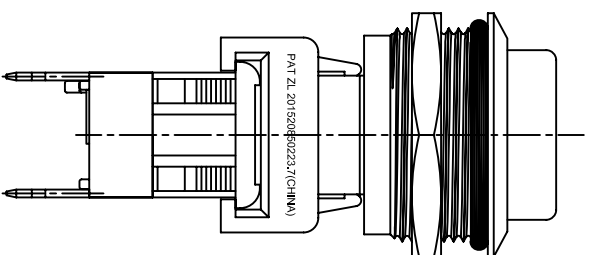
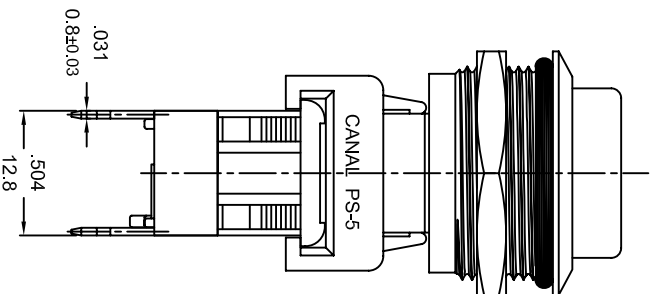
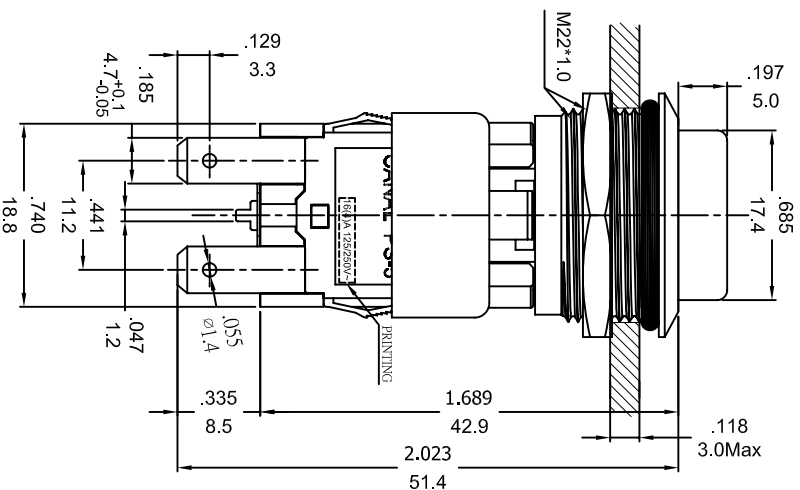


嘉尼企業股份有限公司 CANAL ELECTRONIC CO., LTD.



SPECIFICATION MODEL : "PS5" SERIES
 RATING: 16(4)A 125/250V~T-125/55(cURus/ENEC15)
 16(4)A 250V~ T125/55(CQC)
 WITHSTAND VOLTAGE: 1500VAC 1 MINUTE
 CONTACT RESISTANCE: 20mΩ INITIAL (MAX),
 PROTECTION TYPE: IP65(PANEL WATERPROOF)
 MECHANICAL COLLISION PROTECTION TYPE: IK07
 INSULATION RESISTANCE: 500VDC - 100MΩ (MIN).



PANEL MOUNTING



NOTE: TOLERANCES UNLESS OTHERWISE SPECIFIED: ±.012/0.3 (In/mm)

REVISION	DESCRIPTION	REVISED BY	TOLERANCES		ANGLE 1/2°	SCALE	UNIT	PART NAME	PART NO	DWG NO
			DRAWN BY	CHECKED BY						
△			達志各		蔡劍	5/4	mm	PS5 SPEC DRAWING		S7564A
△			達志各							
△			達志各							
△			達志各							
△	首次出圖		達志各			2018.09.06		PS5-210QN-BSA-0MAC		