

SPECIFICATION MODEL : "PS5" SERIES

RATING:16(4)A 125/250V~(cURus/ENEC15)

16(4)A 250V~ T125/55(CQC)

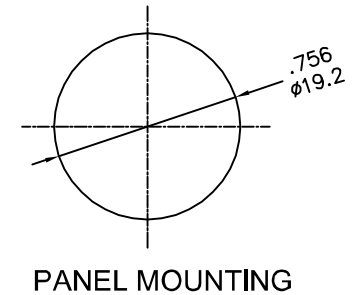
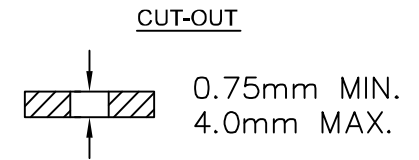
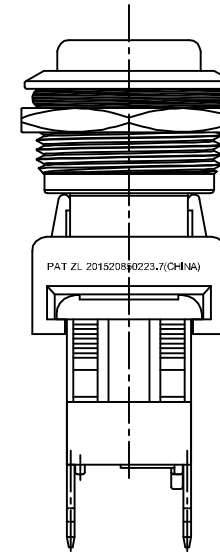
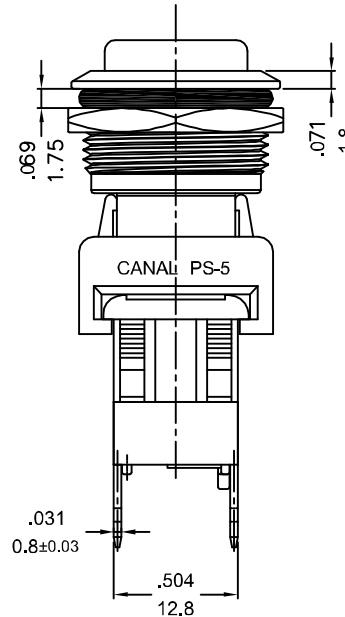
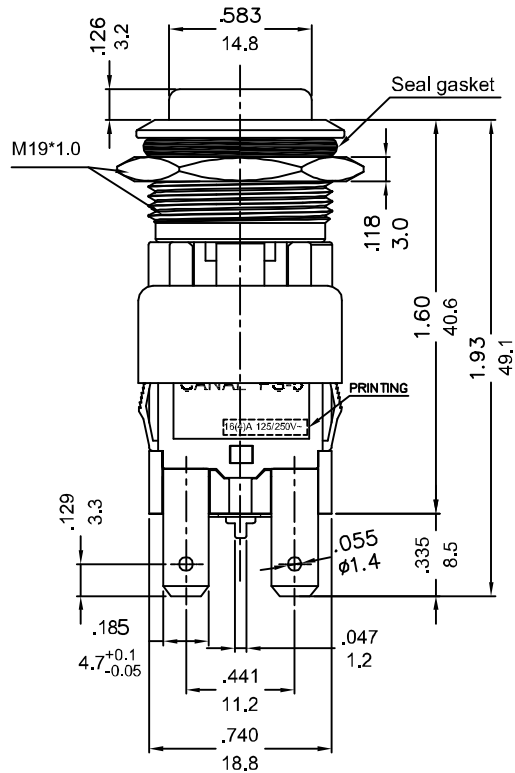
WITHSTAND VOLTAGE:1500VAC 1 MINUTE

CONTACT RESISTANCE:20mΩ INITIAL (MAX),

PROTECTION TYPE:IP65(PANEL WATERPROOF)

MECHANICAL COLLISION PROTECTION TYPE:IK07

INSULATION RESISTANCE:500VDC - 100MΩ (MIN).



NOTE:TOLERANCES UNLESS OTHERWISE SPECIFIED:± .012/0.3 (in/mm)

REVISION	DESCRIPTION	REVISED BY	TOLERANCES		ANGLE $\frac{1}{2}$		UNIT	mm	PART NAME	PS-5 SPEC DRAWING	DWG NO
			DRAWN BY	DESIGNED BY	SCALE						
△			達志各	蔡劍		5/4					S6335A
△			蔡劍	蔡劍	DATE	2016.01.05		PART NO	PS5-210MN-BSA-0MAC		
△	2016.01.05 首次出圖	達志各									