



Pololu Ball Caster with 3/8" Plastic Ball

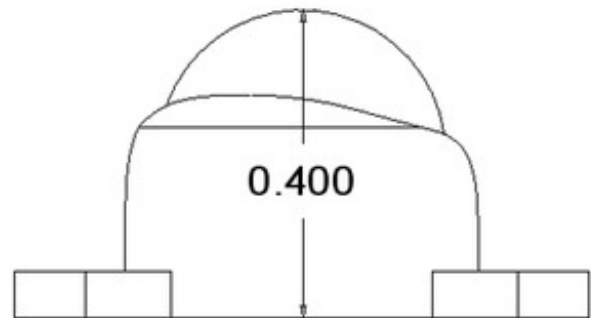
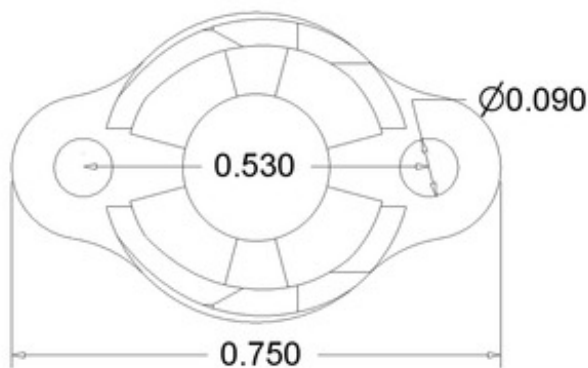


Pololu ball caster with 3/8" plastic ball with included hardware.

Overview

This ball caster kit includes a black ABS housing, a 3/8" diameter plastic ball, two spacers (1/16" and 1/8" thick), and two #2 screw sets. The total height of the ball caster, 0.4", can be increased to about 0.6" using the included spacers. The two included #2 screws can be used to mount the ball caster to your chassis (the distance between the screw holes is 0.53").

Note that our ball casters are designed for small robots; they are not intended to bear more than a few pounds. With more weight than this, friction between the ball and the housing will probably keep it from rolling well.



Comparison of Pololu ball casters

Pololu ball caster ball diameter	height with no spacers	distance between screw holes	weight with no spacers or screws
3/8" plastic-ball	0.40"	0.53"	0.03 oz
3/8" metal-ball	0.40"	0.53"	0.14 oz
1/2" plastic-ball	0.53"	0.58"	0.07 oz
1/2" metal-ball	0.53"	0.58"	0.32 oz
3/4" plastic-ball	0.91"	0.24"	0.25 oz
3/4" metal-ball	0.83"	0.61"	1.05 oz
1" plastic-ball	1.10"	0.70"	0.36 oz

[Documentation on producer website.](#)