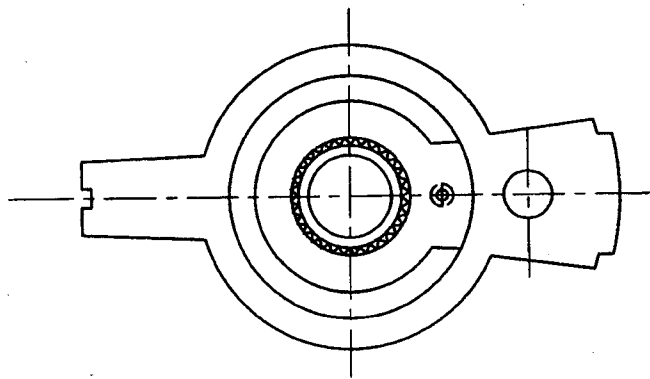
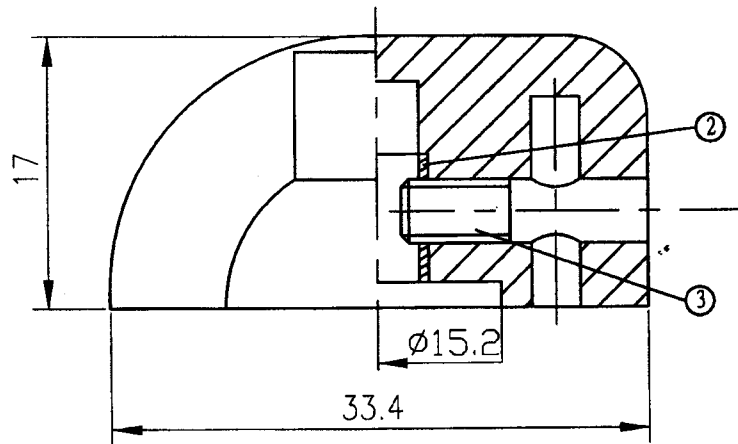
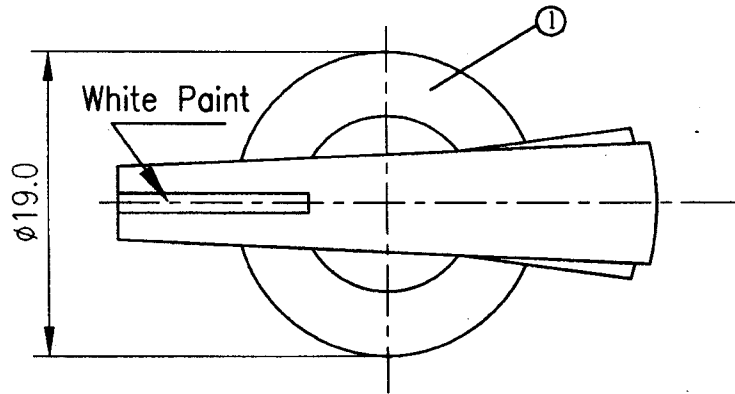


Date	Name	Descriptions	No △
------	------	--------------	---------



原稿

3	Headless set screw	1	Copper alloy			
2	Insert copper housing	1	Copper alloy			
1	Housing	1	PF			
No	Description	Q'ty	Material	Specification	Finish	Remark
Drawing	Check	Approval	SCI No.	1410001	Model Name	Pointer Knobs
張玲利	<i>[Signature]</i>	<i>[Signature]</i>	Customer No.		Model No.	PN-1
8/18/06	8/23-06	8/21-06	Unit	mm	SHIN CHIN INDUSTRIAL CO., LTD.	