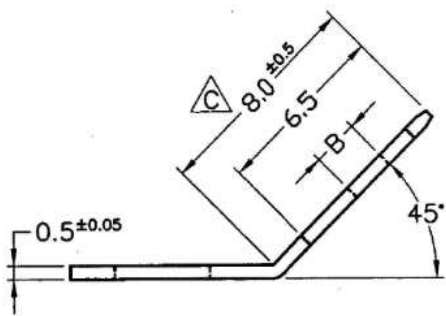
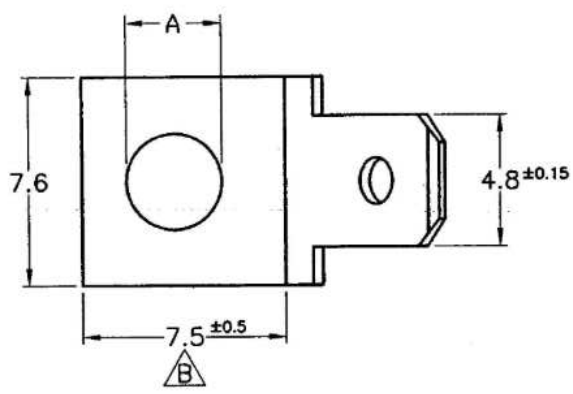


REVISIONS			
REV	DESCRIPTION	DATE	BY
B	CHANGE TOLERANCE ± 0.2 TO ± 0.5	2002.11.13	
C	CHANGE DIM 8.2 TO 8.0 & TOLERANCE ± 0.2 TO ± 0.5	2002.12.05	
D	原尺寸 $\phi 1.7$ 修改為 $\phi 1.4$	2004.06.11	
E	$\phi 1.7$ CHANG TO $\phi 1.4$	2005.05.10	



PART NO.	A	B	
PC1V187	$\phi 3.5$	$\phi 1.4$	$\triangle D$
PC1V18704	$\phi 4.3$	$\phi 1.7$	
PC1V18705	$\phi 5.3$	$\phi 1.4$	$\triangle E$

PART NUMBER SEE ABOVE				TITLE			
				MATERIAL BRASS		DATE 2005.05.10	
				FINISH TIN PLATED		DRAWN	
				COLOR		CHECK	
DRAWING NUMBER PC1V187H		UNLESS OTHERWISE SPECIFIED TOLERANCE ± 0.2					
SIZE A4	SCALE NONE	UNIT mm	REV E	APPROVED			