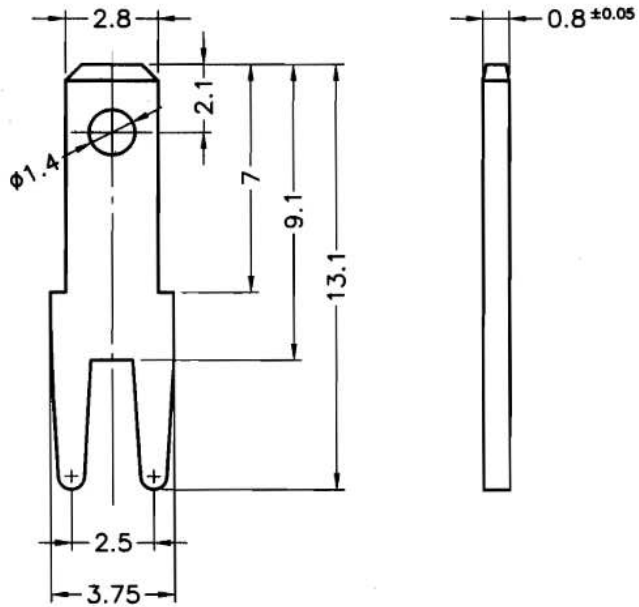


REVISIONS			
REV	DESCRIPTION	DATE	BY
B	BRONZE CHANGE BRASS	2005.08.11	



		TITLE		
		MATERIAL	BRASS	DATE
				2005.08.11
		FINISH	PLATED NICKEL	DRAWN
PART NUMBER		DRAWING NUMBER		COLOR
PC110-1		PC110-1		CHECK
SIZE	SCALE	UNIT	REV	UNLESS OTHERWISE SPECIFIED TOLERANCE
A4	5:1	mm	B	± 0.2
				APPROVED