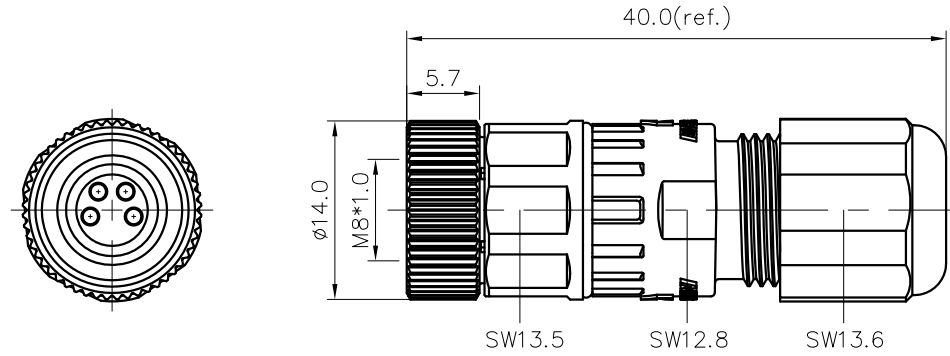


REVISION RECORD

REV	ECN	DESCRIPTION	DRFT	DATE
-----	-----	-------------	------	------

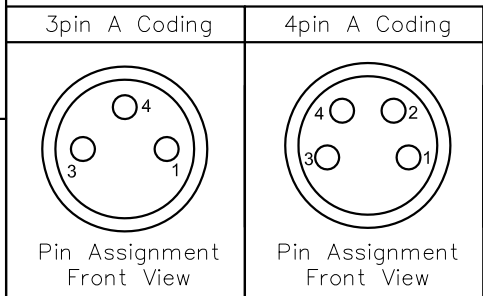


PB-M8A-XXP-FF-SL7001-00A(H)

Pin number: 03,04

NOTES:

1. Rated voltage/current : 3pin: 60V / 3A  
4pin: 60V / 3A
2. Withstanding voltage : AC800V/1Min
3. Levels of protection: IP67
4. Wire range : 3pin: 24~22AWG/0.25~0.34mm<sup>2</sup>  
4pin: 24~22AWG/0.25~0.34mm<sup>2</sup>
5. Cable range : 4~6mm
6. Wire connection mode: screw
7. Operating temperature: -40°C~+85°C
8. RoHS Compliance



DETACHED LISTS	PART NO.: PBM8AXXPPFSL700100AH	宁波高松电子有限公司 NINGBO DEGSON ELECTRICAL CO., LTD		
	APPD:	NAME: PB-M8A-XXP-FF-SL7001-00A(H)		
	CHKD:	TITLE: CUSTOMER DRAWING		
	DRFT: LZ 2018.10.20	REV: D0-1	SHEET: 1/1	SCALE: 1:1
<p>THIRD ANGLE PROJECTION</p>		<p>DO NOT SCALE DRAWING</p>		