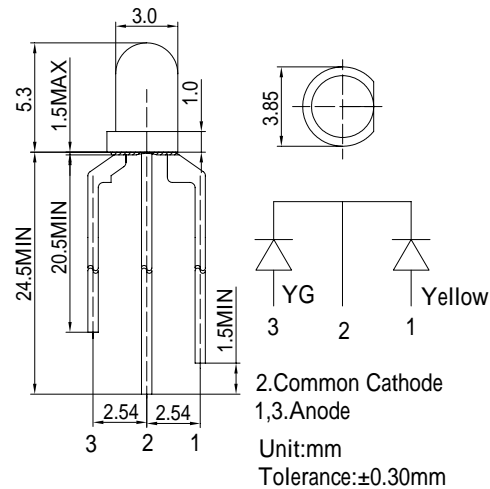


**■Features**

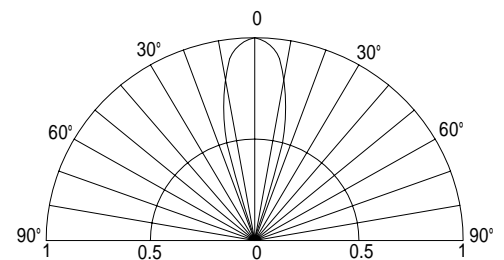
- High Luminous LEDs
- 3mm Round Standard Directivity
- Superior Weather-resistance
- UV Resistant Epoxy
- White Diffused Type

**■Applications**

- Toys
- Games
- Audio
- Other Lighting

**■Outline Dimension**

**■Absolute Maximum Rating**
**(Ta=25 )**

| Item                       | Symbol    | Value      |     | Unit |
|----------------------------|-----------|------------|-----|------|
|                            |           | Yellow     | YG  |      |
| DC Forward Current         | $I_F$     | 30         | 30  | mA   |
| Pulse Forward Current*     | $I_{FP}$  | 100        | 100 | mA   |
| Reverse Voltage            | $V_R$     | 5          | 5   | V    |
| Power Dissipation          | $P_D$     | 78         | 78  | mW   |
| Operating Temperature      | $T_{opr}$ | -30~ +85   |     |      |
| Storage Temperature        | $T_{stg}$ | -40 ~ +100 |     |      |
| Lead Soldering Temperature | $T_{sol}$ | 260 /5sec  |     | -    |

**■Directivity**


\*Pulse width Max.10ms Duty ratio max 1/10

**■Electrical -Optical Characteristics**
**(Ta=25 )**

| Item                | Symbol               | Condition  | Min. | Typ. | Max. | Unit    |
|---------------------|----------------------|------------|------|------|------|---------|
| DC Forward Voltage  | $V_F$ (Yellow)       | $I_F=20mA$ | 1.8  | 2.1  | 2.6  | V       |
| DC Forward Voltage  | $V_F$ (YG)           | $I_F=20mA$ | 1.8  | 2.1  | 2.6  | V       |
| DC Reverse Current  | $I_R$                | $V_R=5V$   | -    | -    | 10   | $\mu A$ |
| Domi. Wavelength*   | $\lambda_D$ (Yellow) | $I_F=20mA$ | 585  | 590  | 595  | nm      |
|                     | $\lambda_D$ (YG)     | $I_F=20mA$ | 565  | 570  | 575  | nm      |
| Luminous Intensity* | $I_v$ (Yellow)       | $I_F=20mA$ | 330  | 550  | -    | mcd     |
|                     | $I_v$ (YG)           | $I_F=20mA$ | 330  | 400  | -    | mcd     |
| 50% Power Angle     | $2\theta_{1/2}$      | $I_F=20mA$ | -    | 30   | -    | deg     |

 \*1 Tolerance of dominant wavelength is  $\pm 1nm$ 

 \*2 Tolerance of luminous intensity is  $\pm 15\%$