

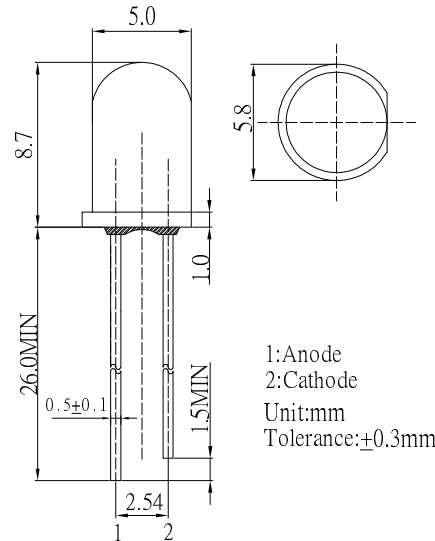
### ■ Features

- High Luminous LEDs
- 5mm Round Standard Directivity
- Superior Weather-resistance
- UV Resistant Epoxy
- Low Power dissipation: Type. 1.8mW
- Water Clear Type

### ■ Applications

- Electronic Signs And Signals
- Small Area Illuminations
- Back Lighting
- Other Lighting

### ■ Outline Dimension



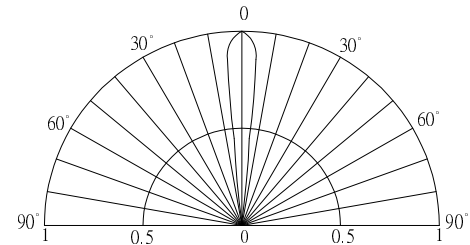
### ■ Absolute Maximum Rating

(Ta=25°C)

| Item                       | Symbol    | Value      | Unit |
|----------------------------|-----------|------------|------|
| DC Forward Current         | $I_F$     | 30         | mA   |
| Pulse Forward Current*     | $I_{FP}$  | 100        | mA   |
| Reverse Voltage            | $V_R$     | 5          | V    |
| Power Dissipation          | $P_D$     | 78         | mW   |
| Operating Temperature      | $T_{opr}$ | -30 ~ +85  | °C   |
| Storage Temperature        | $T_{stg}$ | -40~ +100  | °C   |
| Lead Soldering Temperature | $T_{sol}$ | 260°C/5sec | -    |

\*Pulse width Max.10ms Duty ratio max 1/10

### ■ Directivity



### ■ Electrical -Optical Characteristics

(Ta=25°C)

| Item                | Symbol          | Condition | Min. | Typ. | Max. | Unit    |
|---------------------|-----------------|-----------|------|------|------|---------|
| DC Forward Voltage  | $V_F$           | $I_F=1mA$ | 1.6  | 1.8  | 2.3  | V       |
| DC Reverse Current  | $I_R$           | $V_R=5V$  | -    | -    | 10   | $\mu A$ |
| Domi. Wavelength*   | $\lambda_D$     | $I_F=1mA$ | 585  | 590  | 595  | nm      |
| Luminous Intensity* | $I_v$           | $I_F=1mA$ | 220  | 330  | -    | mcd     |
| 50% Power Angle     | $2\theta_{1/2}$ | $I_F=1mA$ | -    | 15   | -    | deg     |

\*1 Tolerance of dominant wavelength is  $\pm 1nm$

\*2 Tolerance of luminous intensity is  $\pm 15\%$