

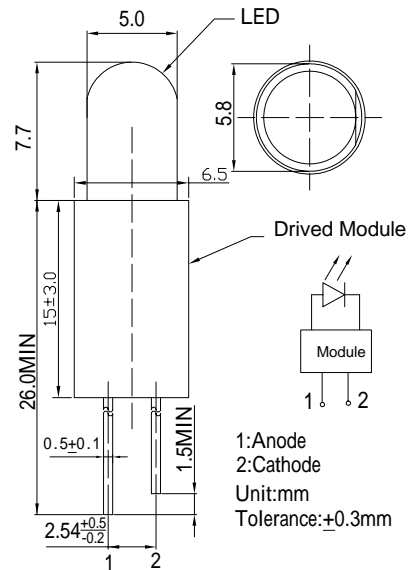
Features

- High Luminous LEDs
- 5mm Round Standard Directivity
- Superior Weather-resistance
- UV Resistant Epoxy
- Used 0.8~1.6V DC Drive (Such 1 piece AA or AAA Size Battery)
- Cost Effective (Saves Space and battery Cost)
- Water Clear Type

Applications

- Flashlight
- Other Lighting

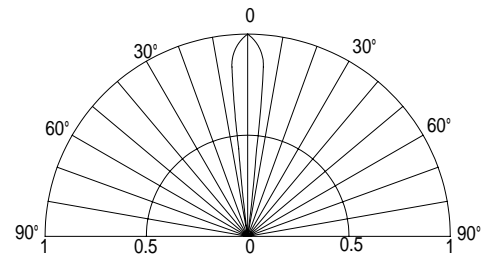
Outline Dimension



Absolute Maximum Rating (Ta=25 °C)

Item	Symbol	Value	Unit
DC Forward Voltage	V_F	1.5	V
DC Forward Current (Input)	I_F	114	mA
Power Dissipation	P_D	171	mW
Operating Temperature	T_{opr}	-30 ~ +85	
Storage Temperature	T_{stg}	-30 ~ +85	
Lead Soldering Temperature	T_{sol}	260 /5sec	-

Directivity



Electrical -Optical Characteristics (Ta=25 °C)

Part Number	Color		I_F (mA)			I_v (mcd)*			λ_D (nm)*			$2\theta_{1/2}$ (deg)
			Input	In LED		Min.	Typ.	Max.	Min.	Typ.	Max.	Typ.
				Min	Max.							
			$V_F = 1.2V$			$V_F = 1.2V$						
OSW4DK5111A-1V	Pure White	W	64 ± 10	16	22	20000	22000	-	X=0.31, Y=0.33			15
OSW5DK5111A-1V	Cool White	W	64 ± 10	16	22	22000	25000	-	X=0.27, Y=0.28			15
OSM5 DK5111A-1V	Warm White	M	64 ± 10	16	22	18000	20000	-	X=0.45, Y=0.41			15
OSB5SA5111A-1V	Blue	B	64 ± 10	16	22	7000	8400	-	465	470	475	15
OSG5DA5111A-1V	Pure Green	G	64 ± 10	16	22	22000	25000	-	520	525	530	15

*1 Tolerance of chromaticity coordinates is $\pm 10\%$

*2 Tolerance of luminous intensity is $\pm 15\%$