

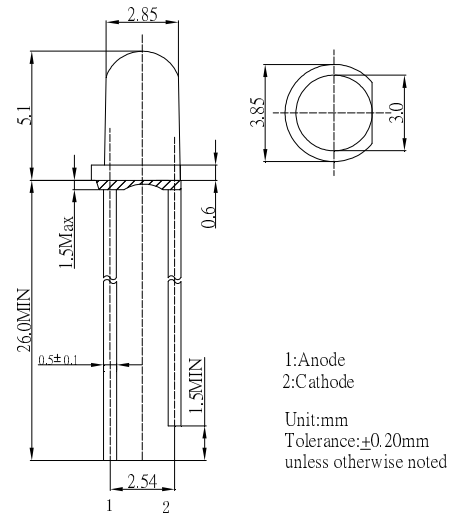
■ Features

- High Luminous LEDs
- 3mm Round Standard Directivity
- Superior Weather-resistance
- UV Resistant Epoxy
- Color Diffused Type / W&M: White Diffused Type

■ Applications

- Electronic Signs And Signals
- Small Area Illuminations
- Back Lighting
- Other Lighting

■ Outline Dimension

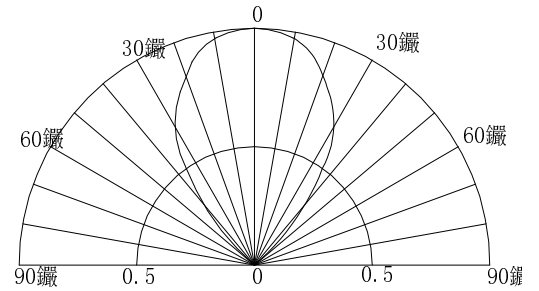


■ Absolute Maximum Rating (Ta=25°C)

Item	Symbol	Value		Unit
		W/M/PG/B	R/Y/YG	
DC Forward Current	IF	30	30	mA
Pulse Forward Current*	IFP	100	100	mA
Reverse Voltage	VR	5	5	V
Power Dissipation	PD	108	78	mW
Operating Temperature	Topr	-30 ~ +85		°C
Storage Temperature	Tstg	-40 ~ +100		°C
Lead Soldering Temperature	Tsol	260°C/5sec		-

*Pulse width Max.10ms Duty ratio max 1/10

■ Directivity



■ Electrical -Optical Characteristics (Ta=25°C)

Part Number	Color		VF (V)			IR (μA)	Iv (mcd)			Wd (nm)*			2θ1/2 (deg)
			Min.	Typ.	Max.	Max.	Min.	Typ.	Max.	Min.	Typ.	Max.	Typ.
			IF=20mA			VR=5V	IF=20mA						
OSW4YK3Z72A	White	W	2.8	3.1	3.6	10	1120	1560	-	X:0.31, Y:0.33			70
OSM5YK3Z72A	Warm White	M	2.8	3.1	3.6	10	750	1120	-	X:0.45, Y:0.41			70
OSB5YU3Z74A	Blue	B	2.8	3.1	3.6	10	220	330	-	465	470	475	70
OSG5TA3Z74A	Pure Green	PG	2.8	3.1	3.6	10	750	1120	-	520	525	530	70
OSG8HA3Z74A	Yellow Green	YG	1.8	2.1	2.6	10	68	100	-	565	570	575	70
OSY5JA3Z74A	Yellow	Y	1.8	2.1	2.6	10	220	330	-	585	590	595	70
OSR5JA3Z74A	Red	R	1.8	2.1	2.6	10	220	330	-	620	625	630	70

*1 Tolerance of measurements of chromaticity coordinate is ±10%

*2 Tolerance of measurements of dominant wavelength is ±1nm

*3 Tolerance of measurements of luminous intensity is ±15%

*4 Tolerance of measurements of forward voltage is ±0.1V