

■ Features

- High Luminous LEDs
- 5mm Round Standard Directivity
- Superior Weather-resistance
- UV Resistant Epoxy
- 6.8Hz 1/12 Duty Cycle Flashing Type
- Water Clear Type

■ Applications

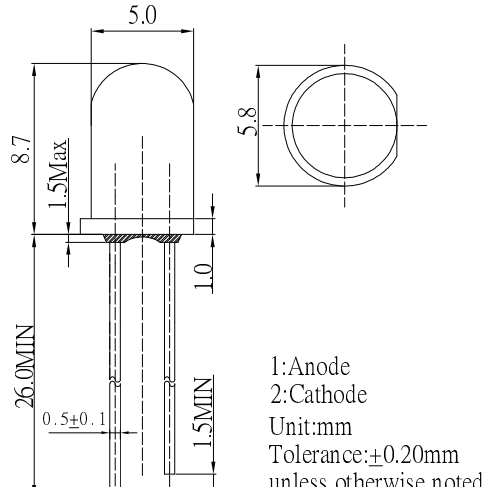
- Toys
- Games
- Audio
- Other Lighting

■ Absolute Maximum Rating

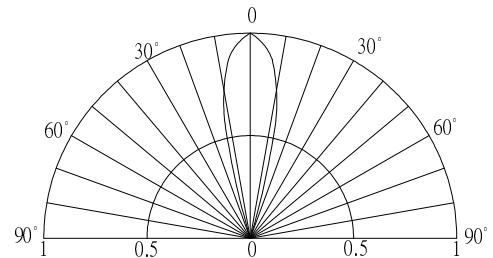
(Ta=25°C)

Item	Symbol	Value	Unit
Power Supply	Voltage	5	V
Duty Cycle	Duty	1/12	-
Operating Temperature	Topr	-30 ~ +85	°C
Storage Temperature	Tstg	-40~ +100	°C
Lead Soldering Temperature	Tsol	260°C/5sec	-

■ Outline Dimension



■ Directivity



■ Electrical -Optical Characteristics (Ta=25°C)

Part Number	Color		VF (V)			Iv(mcd)*			λD(nm)*			Fled (Hz)*	2θ1/2(deg)
			Min.	Typ.	Max.	Min.	Typ.	Max.	Min.	Typ.	Max.	Typ.	Typ
			IF =20mA			IF =20mA							
OSW5DP5A31A-6.8HZ	Cool White	W	3.0	3.5	5.0	7000	8400	-	CCT:8000-18000K			6.8	30
OSM5DP5A31A-6.8HZ	Warm White	M	3.0	3.5	5.0	7000	8400	-	CCT:2700-3200K				
OSB5SP5A31A-6.8HZ	Blue	B	3.0	3.5	5.0	2000	2500	-	465	470	475		
OSG5DP5A31A-6.8HZ	Pure Green	G	3.0	3.5	5.0	7000	8400	-	520	525	530		
OSY5JP5A31A-6.8HZ	Yellow	Y	3.0	3.5	5.0	1120	1560	-	585	590	595		
OSY5MP5A31A-6.8HZ	Yellow	Y	3.0	3.5	5.0	5800	6500	-	585	590	595		
OSO5JP5A31A-6.8HZ	Orange	O	3.0	3.5	5.0	1560	2180	-	600	605	610		
OSR5JP5A31A-6.8HZ	Red	R	3.0	3.5	5.0	1120	1560	-	620	625	630		
OSR5MP5A31A-6.8HZ	Red	R	3.0	3.5	5.0	5800	6500	-	620	625	630		

*1 Tolerance of measurements of chromaticity coordinates is ±10%
 *2 Tolerance of measurements of dominant wavelength is ±1nm
 *3 Tolerance of measurements of luminous intensity is ±15%
 *4 Tolerance of measurements of forward voltage is ±0.1V
 *5 Tolerance of measurements of Frequency is ±20%