

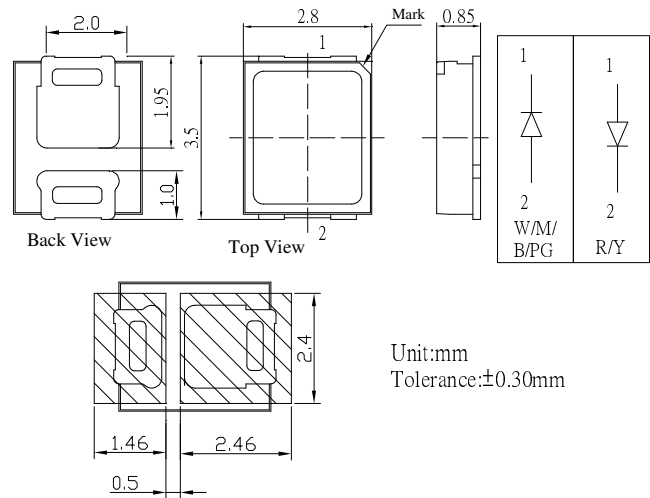
■Features

- Highest luminous flux
- Super energy efficiency
- Long lifetime operation
- Superior UV Resistance
- W4/M5 Ra>80

■Applications

- Read lights (car, bus, aircraft)
- Portable (flashlight, bicycle)
- Bollards / Security / Garden
- Traffic signaling / Beacons
- In door / Out door Commercial lights
- Automotive Ext

■Outline Dimension

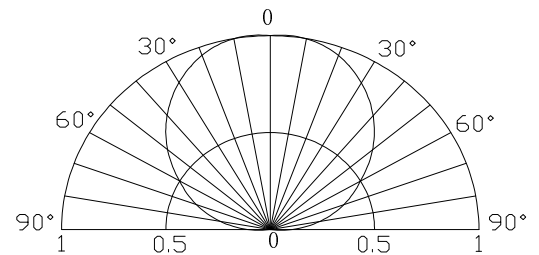


■Absolute Maximum Rating

(Ta=25°C)

Item	Symbol	Value		Unit
		W/B/G	Y/R	
DC Forward Current	I _F	80	80	mA
Pulse Forward Current*	I _{FP}	150	150	mA
Reverse Voltage	V _R	5	5	V
Power Dissipation	P _D	272	192	mW
Operating Temperature	Topr	-30 ~ +85		°C
Storage Temperature	Tstg	-40~ +100		°C
Lead Soldering Temperature	Tsol	260°C/5sec		-

■Directivity



*Pulse width Max.10ms Duty ratio max 1/10

■Electrical -Optical Characteristics

(Ta=25°C)

Part Number	Color		V _F (V)			I _R (μA)	Φ _v (lm)*			λ _d (nm)*			2θ1/2(deg)
			Min.	Typ.	Max.	Max.	Min.	Typ.	Max.	Min.	Typ.	Max.	Typ.
			I _F =60mA			V _R =5V	I _F =60mA						
OSW42835C1H-60mA	White	W	2.8	3.0	3.4	10	20	22	-	CCT:4500~7000K			120
OSM52835C1H-60mA	Warm White	M	2.8	3.0	3.4	10	18	20	-	CCT:2800~4500K			120
OSB42835C1H-60mA	Blue	B	2.8	3.0	3.4	10	2	4	-	455	460	470	120
OSG42835C1H-60mA	Pure Green	PG	2.8	3.0	3.4	10	10	15	-	510	515	520	120
OSY52835C1H-60mA	Yellow	Y	1.8	2.0	2.4	10	4	6	-	585	590	595	120
OSR52835C1H-60mA	Red	R	1.8	2.0	2.4	10	4	6	-	620	625	630	120

Note: *1. Tolerance of dominant wavelength is ±1nm

*3. Tolerance of luminous Flux is ±15%

*4. Don't drive at rated current more than 5s without heat sink for Power Top H emitter series.