

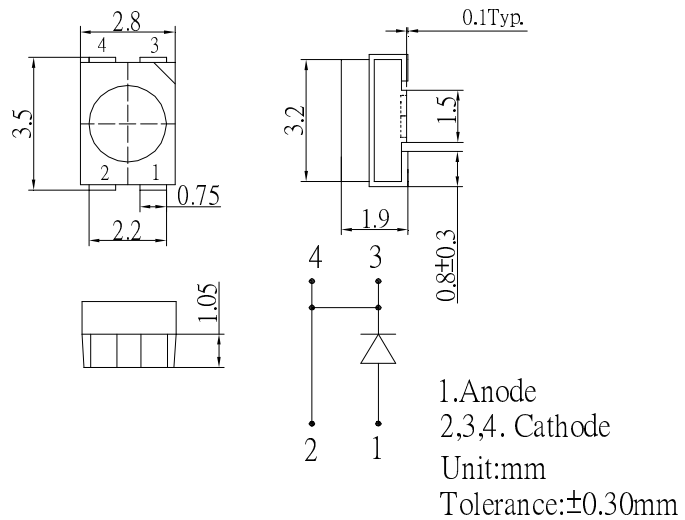
### ■Features

- High Luminous PLCC4 Power Top SMD LEDs
- 3.5x2.8x1.9mm Standard Directivity
- Long Lifetime Operation
- Superior Weather-resistance
- UV Resistant Epoxy

### ■Applications

- Automotive Dashboard Lighting
- Traffic Signal Lamp
- Back Lighting
- Other Lighting

### ■Outline Dimension



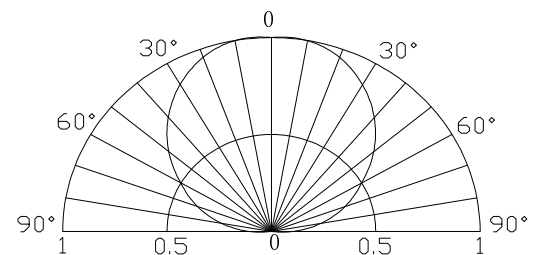
### ■Absolute Maximum Rating

(Ta=25°C)

| Item                       | Symbol          | Value      | Unit |
|----------------------------|-----------------|------------|------|
| DC Forward Current         | I <sub>F</sub>  | 50         | mA   |
| Pulse Forward Current*     | I <sub>FP</sub> | 100        | mA   |
| Reverse Voltage            | V <sub>R</sub>  | 5          | V    |
| Power Dissipation          | P <sub>D</sub>  | 190        | mW   |
| Operating Temperature      | Topr            | -30 ~ +85  | °C   |
| Storage Temperature        | Tstg            | -40~ +100  | °C   |
| Lead Soldering Temperature | Tsol            | 260°C/5sec | -    |

\*Pulse width Max.10ms , Duty ratio max 1/10

### ■Directivity



### ■Electrical -Optical Characteristics

(Ta=25°C)

| Item                      | Symbol            | Condition            | Min. | Typ.  | Max.  | Unit |
|---------------------------|-------------------|----------------------|------|-------|-------|------|
| DC Forward Voltage        | V <sub>F</sub>    | I <sub>F</sub> =30mA | 3.0  | 3.3   | 3.8   | V    |
| DC Reverse Current        | I <sub>R</sub>    | V <sub>R</sub> =5V   | -    | -     | 10    | μA   |
| Luminous Intensity*       | I <sub>v</sub>    | I <sub>F</sub> =30mA | 3600 | 4800  | -     | mcd  |
| Color Temperature         | CCT               | I <sub>F</sub> =30mA | 8500 | 10000 | 18000 | K    |
| Chromaticity Coordinates* | x                 | I <sub>F</sub> =30mA | -    | 0.27  | -     |      |
|                           | y                 | I <sub>F</sub> =30mA | -    | 0.28  | -     |      |
| 50% Power Angle           | 2θ <sub>1/2</sub> | I <sub>F</sub> =30mA | -    | 120   | -     | deg  |

\*1 Tolerance of measurements of chromaticity coordinate is ±10%

\*2 Tolerance of measurements of luminous intensity is ±15%

\*3 Tolerance of measurements of forward voltage is ±0.1V