

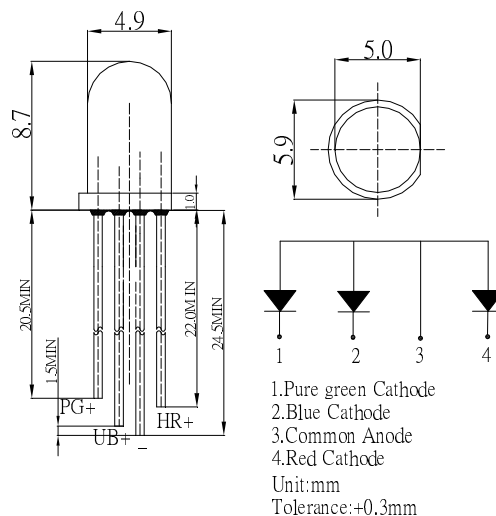
■Features

- High Luminous Output
- 5mm Standard Directivity
- Superior Weather-resistance
- Water Clear Type
- Common Anode Type

■Applications

- Toys
- Games
- Audio
- Other Lighting

■Outline Dimension



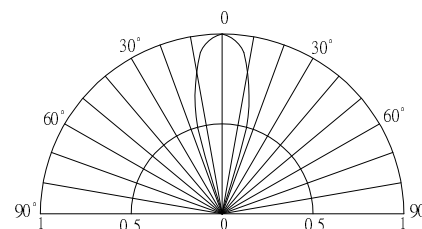
■Absolute Maximum Rating

(Ta=25°C)

Item	Symbol	Value		Unit
		Red	Green/Blue	
DC Forward Current	I_F	50	30	mA
Pulse Forward Current*	I_{FP}	120	100	mA
Reverse Voltage	V_R	5	5	V
Power Dissipation	P_D	120	108	mW
Operating Temperature	T_{opr}	-30 ~ +85		°C
Storage Temperature	T_{stg}	-40 ~ +100		°C
Lead Soldering Temperature	T_{sol}	260°C/5sec		-

*Pulse width Max.10ms Duty ratio max 1/10

■Directivity



■Electrical -Optical Characteristics

(Ta=25°C)

Item	Symbol	Condition	Min.	Typ.	Max.	Unit
DC Forward Voltage	$V_F(R)$	$I_F=20mA$	1.8	2.1	2.4	V
	$V_F(B/G)$	$I_F=20mA$	2.9	3.1	3.6	V
DC Reverse Current	I_R	$V_R=5V$	-	-	10	μA
Domi. Wavelength	$\lambda_D(Red)$	$I_F=20mA$	619	624	629	nm
	$\lambda_D(Green)$	$I_F=20mA$	520	525	530	nm
	$\lambda_D(Blue)$	$I_F=20mA$	465	470	475	nm
Luminous Intensity	$I_v(Red)$	$I_F=20mA$	7000	8500	-	mcd
	$I_v(Green)$	$I_F=20mA$	12000	14400	-	mcd
	$I_v(Blue)$	$I_F=20mA$	3000	4000	-	mcd
50% Power Angle	$2\theta_{1/2}$	$I_F=20mA$	-	30	-	deg

*1 Tolerance of dominant wavelength is ±1nm

*2 Tolerance of luminous intensity is ±15%