

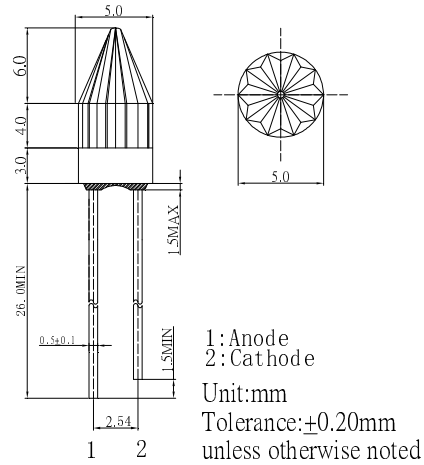
■ **Features**

- High Luminous LEDs
- 5mm rocket Standard Directivity
- Superior Weather-resistance
- Flashing Type
- White Diffused Type

■ **Applications**

- Toys
- Games
- Audio
- Other Lighting

■ **Outline Dimension**

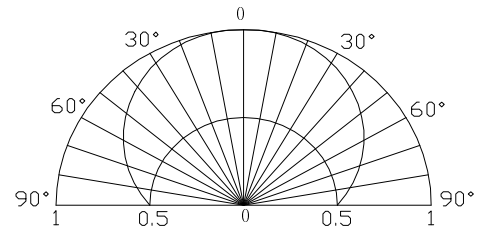


■ **Absolute Maximum Rating**

(Ta=25°C)

| Item                       | Symbol  | Value      | Unit |
|----------------------------|---------|------------|------|
| Power Supply               | Voltage | 5          | V    |
| Operating Temperature      | Topr    | -30 ~ +85  | °C   |
| Storage Temperature        | Tstg    | -40~ +100  | °C   |
| Lead Soldering Temperature | Tsol    | 260°C/5sec | -    |

■ **Directivity**



■ **Electrical -Optical Characteristics**

(Ta=25°C)

| Item                  | Symbol                 | Conditio             | Min. | Typ. | Max. | Unit |
|-----------------------|------------------------|----------------------|------|------|------|------|
| DC Forward Voltage    | V <sub>dd</sub>        | I <sub>F</sub> =20mA | 3.8  | 4.5  | 5.0  | V    |
| Oscillator Frequency* | F <sub>led</sub>       | I <sub>F</sub> =20mA | -    | 33   | -    | S    |
| Duty Cycle            | Duty                   | I <sub>F</sub> =20mA | -    | -    | -    | -    |
| Domi. Wavelength*     | λ <sub>D</sub> (Red)   | I <sub>F</sub> =20mA | 620  | 625  | 630  | nm   |
|                       | λ <sub>D</sub> (Blue)  | I <sub>F</sub> =20mA | 465  | 470  | 475  | nm   |
|                       | λ <sub>D</sub> (Green) | I <sub>F</sub> =20mA | 520  | 525  | 530  | nm   |
| Luminous Intensity*   | I <sub>v</sub> (Red)   | I <sub>F</sub> =20mA | 330  | 500  | -    | mcd  |
|                       | I <sub>v</sub> (Blue)  | I <sub>F</sub> =20mA | 220  | 330  | -    | mcd  |
|                       | I <sub>v</sub> (Green) | I <sub>F</sub> =20mA | 500  | 750  | -    | mcd  |
| 50% Power Angle       | 2θ <sub>1/2</sub>      | I <sub>F</sub> =20mA | -    | 180  | -    | deg  |

\*1 Tolerance of measurements of dominant wavelength is ±1nm

\*2 Tolerance of measurements of luminous intensity is ±15%

\*3 Tolerance of measurements of Frequency is ±20%

\*4 Tolerance of measurements of forward voltage is ±0.1V