

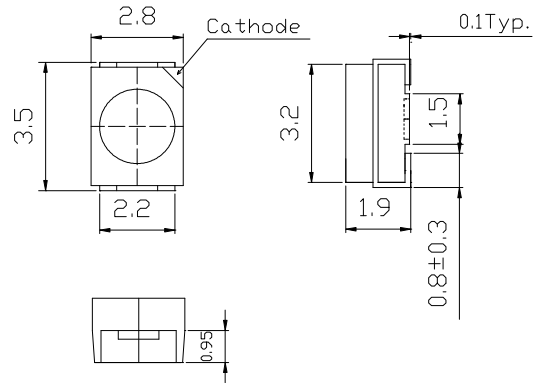
**■Features**

- High Power SMDs
- 3.5x2.8x1.9mm Standard Directivity
- Water Clear Type
- Superior Weather-resistance
- UV Resistant Epoxy

**■Applications**

- Automotive Dashboard Lighting
- Traffic Signal Lamp
- Back Lighting

**■Outline Dimension**

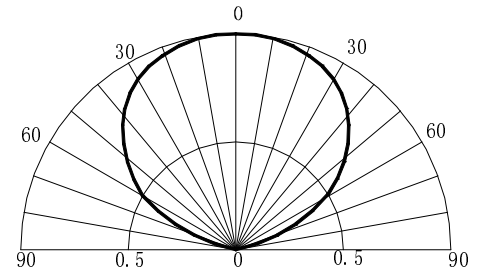


**■Absolute Maximum Rating (Ta=25°C)**

Item	Symbol	Value	Unit
DC Forward Current	$I_F$	50	mA
Pulse Forward Current*	$I_{FP}$	120	mA
Reverse Voltage	$V_R$	5	V
Power Dissipation	$P_D$	120	mW
Operating Temperature	$T_{opr}$	-30 ~ +85	°C
Storage Temperature	$T_{stg}$	-40 ~ +100	°C
Lead Soldering Temperature	$T_{sol}$	260°C/5sec	-

\*Pulse width Max.10ms Duty ratio max 1/10

**■Directivity**



**■Electrical -Optical Characteristics (Ta=25°C)**

Item	Symbol	Condition	Min.	Typ.	Max.	Unit
DC Forward Voltage	$V_F$	$I_F=20mA$	1.8	2.0	2.4	V
DC Reverse Current	$I_R$	$V_R=5V$	-	-	10	$\mu A$
Domi. Wavelength	$\lambda_D$	$I_F=20mA$	620	625	630	nm
Luminous Intensity	$I_v$	$I_F=20mA$	1120	1560	2180	mcd
50% Power Angle	$2\theta_{1/2}$	$I_F=20mA$	-	120	-	deg