

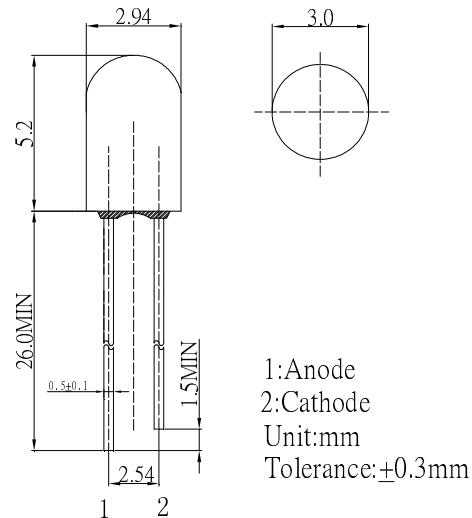
### ■Features

- Red Diffused Type
- 3mm Standard Directivity
- Superior Weather-resistance
- RoHS compliant

### ■Applications

- Toys
- Games
- Audio
- Christmas Light

### ■Outline Dimension



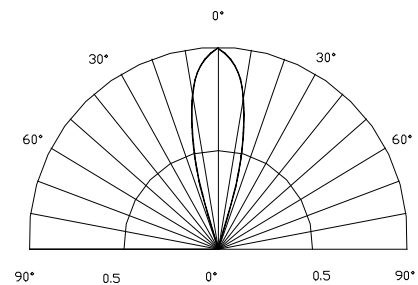
### ■Absolute Maximum Rating

(Ta=25°C)

Item	Symbol	Value	Unit
DC Forward Current	$I_F$	30	mA
Pulse Forward Current*	$I_{FP}$	100	mA
Reverse Voltage	$V_R$	5	V
Power Dissipation	$P_D$	72	mW
Operating Temperature	$T_{opr}$	-30 ~ +85	°C
Storage Temperature	$T_{stg}$	-40 ~ +100	°C
Lead Soldering Temperature	$T_{sol}$	260°C/5sec	-

\*Pulse width Max.10ms Duty ratio max 1/10

### ■Directivity



### ■Electrical -Optical Characteristics

(Ta=25°C)

Item	Symbol	Condition	Min	Typ	Max	Unit
DC Forward Voltage	$V_F$	$I_F=20mA$	1.8	2.0	2.4	V
DC Reverse Current	$I_R$	$V_R=5V$	-	-	10	μA
Domi. Wavelength	$\lambda_D$	$I_F=20mA$	-	700	-	nm
Luminous Intensity	$I_v$	$I_F=20mA$	10	15	-	mcd
50% Power Angle	$2\theta_{1/2}$	$I_F=20mA$	-	30	-	deg