

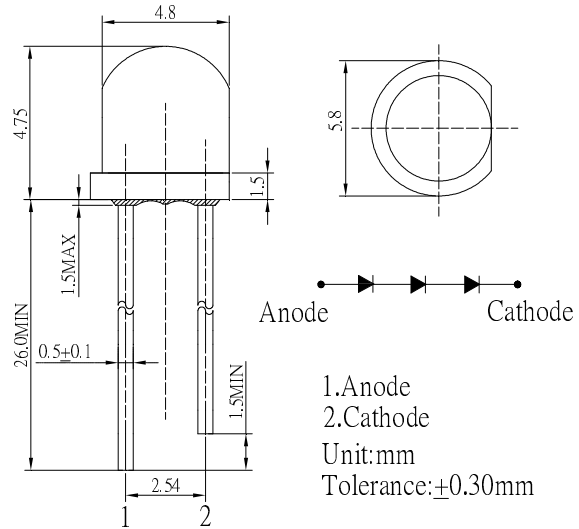
■ **Features**

- High luminous Flux LEDs
- 4.8mm Straw Standard Directivity
- Superior Weather-resistance
- UV Resistant Epoxy
- Water Clear Type
- Superior Color Rendering Index

■ **Applications**

- Backlighting (illuminated advertising etc.)
- Substitution of Micro Incandescent Lamps
- Reading Lamps / Emergency Lighting
- Marker lights (e.g. steps, exit ways, etc.)
- Other Lighting

■ **Outline Dimension**



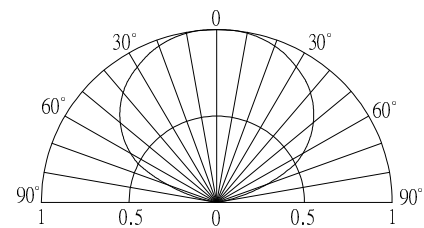
■ **Absolute Maximum Rating**

(Ta=25°C)

Item	Symbol	Value	Unit
DC Forward Current	I _F	25	mA
Pulse Forward Current*	I _{FP}	100	mA
Reverse Voltage	V _R	15	V
Power Dissipation	P _D	240	mW
Operating Temperature	T _{opr}	-30 ~ +85	°C
Storage Temperature	T _{stg}	-40 ~ +100	°C
Lead Soldering Temperature	T _{sol}	260°C/5sec	-

*Pulse width Max 10ms , Duty ratio max 1/10

■ **Directivity**



■ **Electrical -Optical Characteristics**

(Ta=25°C)

Item	Symbol	Condition	Min.	Typ.	Max.	Unit
DC Forward Voltage	V _F	I _F =20mA	7.6	8.5	9.6	V
DC Reverse Current	I _R	V _R =15V	-	-	10	μA
Luminous Flux*	Φ _v	I _F =20mA	-	12.0	-	lm
Luminous Intensity*	I _v	I _F =20mA	3000	4200	-	mcd
Color Rendering Index	Ra	I_F=20mA	92	95	-	
Color Temperature	CCT	I _F =20mA	-	2700	-	K
Chromaticity Coordinates*	x	I _F =20mA	-	0.445	-	
	y	I _F =20mA	-	0.385	-	
50% Power Angle	2θ _{1/2}	I _F =20mA	-	130	-	deg

*1 Tolerance of chromaticity coordinates is ±10%

*2 Tolerance of luminous flux and luminous intensity is ±15%