

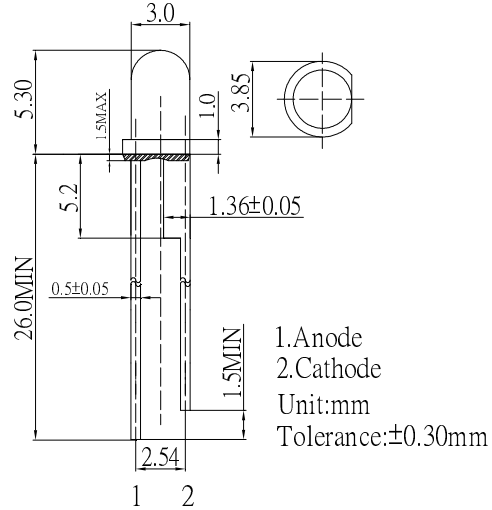
■ **Features**

- High Luminous LEDs
- 3mm Round Standard Directivity
- Superior Weather-resistance
- UV Resistant Epoxy
- Water Clear Type

■ **Applications**

- Automotive Dashboard Lighting
- Traffic Signal Lamp
- Back Lighting
- Other Lighting

■ **Outline Dimension**

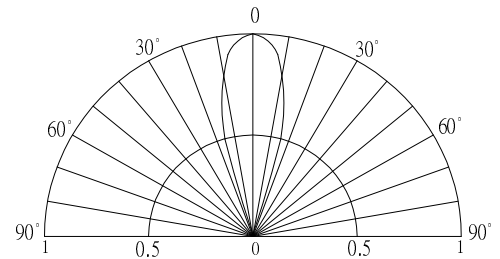


■ **Absolute Maximum Rating (Ta=25°C)**

| Item | Symbol | Value | Unit |
|----------------------------|-----------------|------------|------|
| DC Forward Current | I _F | 50 | mA |
| Pulse Forward Current* | I _{FP} | 120 | mA |
| Reverse Voltage | V _R | 5 | V |
| Power Dissipation | P _D | 190 | mW |
| Operating Temperature | Topr | -30 ~ +85 | °C |
| Storage Temperature | Tstg | -40~ +100 | °C |
| Lead Soldering Temperature | Tsol | 260°C/5sec | - |

*Pulse width Max.10ms Duty ratio max 1/10

■ **Directivity**



■ **Electrical -Optical Characteristics (Ta=25°C)**

| Item | Symbol | Condition | Min. | Typ. | Max. | Unit |
|---------------------|-------------------|----------------------|-------|-------|------|------|
| DC Forward Voltage | V _F | I _F =50mA | 3.0 | 3.3 | 3.8 | V |
| DC Reverse Current | I _R | V _R =5V | - | - | 10 | μA |
| Domi. Wavelength* | λ _D | I _F =50mA | 465 | 470 | 475 | nm |
| Luminous Intensity* | I _v | I _F =50mA | 12000 | 15000 | - | mcd |
| 50% Power Angle | 2θ _{1/2} | I _F =50mA | - | 30 | - | deg |

*1 Tolerance of dominant wavelength is ±1nm

*2 Tolerance of luminous intensity is ±15%