

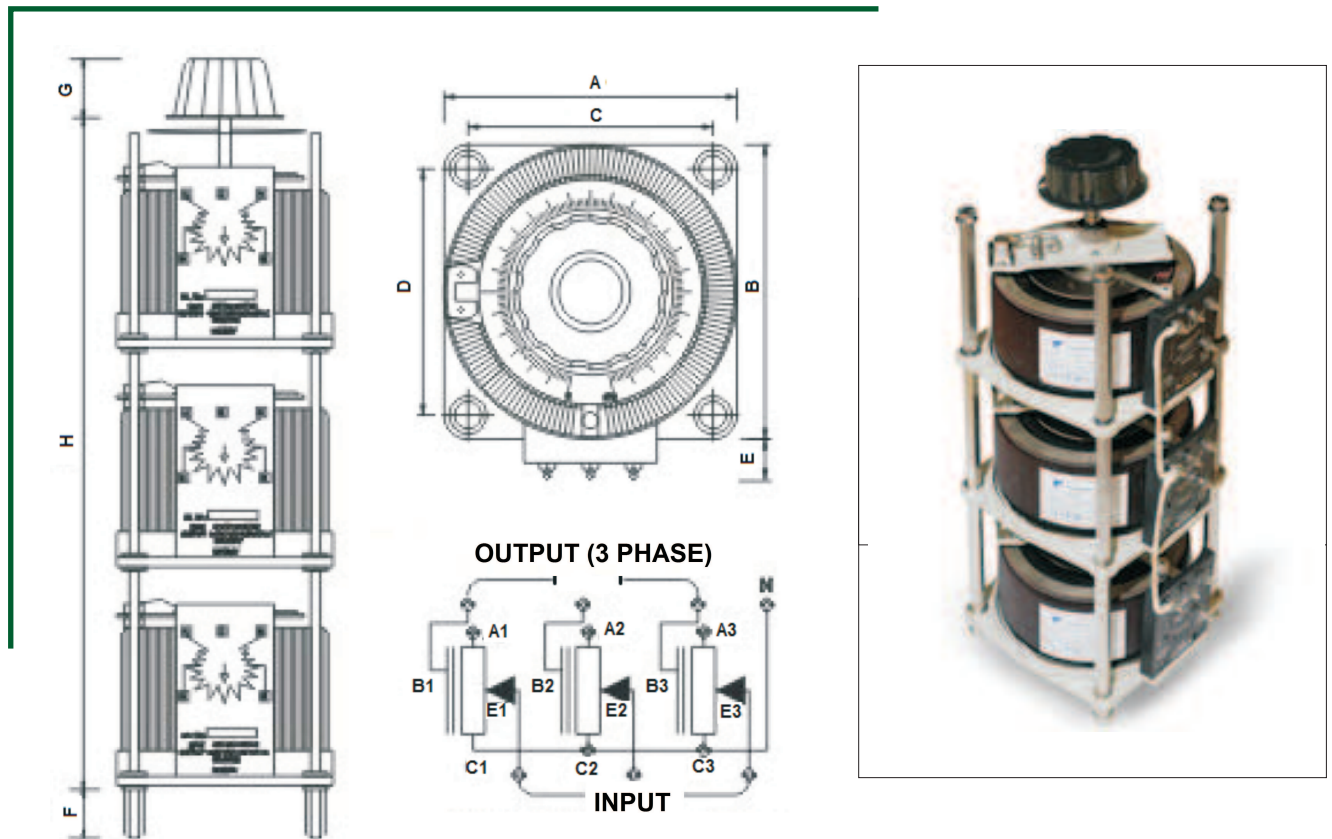
# Three phases regulating autotransformers

# OITA

Open built autotransformers for non-step input voltage regulation in electrical instalation and devices.  
 Protection grade IP00. Maximum ambient temperature 45°C. Panel montage destination.  
 Manufactured in compliance with EN61558-1, EN61558-2-14.



Input voltage. :400 V +N  
 Potput voltage :0 - 450 V +N  
 Frequency :50 - 300 Hz  
 Output current :3.8A, 6.5A, 12A



Type	Art. No.:	Current [A]		Dimensions							Weight kg
		I	I <sub>max</sub>	A	B	C/D	E	F	G	H	
OITA 4	9862-0002	3,8	4,0	175	175	146	25	30	50	410	19,40
OITA 8	9862-0003	6,5	8,0	175	175	146	25	30	50	410	26,00
OITA 15	9862-0004	12,0	15,0	225	225	176	40	50	50	425	41,00

Because of the constant development of product construction and changes concerning technical requirements, Breve-Tufvassons Company reserves the right to change the parameters mentioned above.