



Product Surface Chart



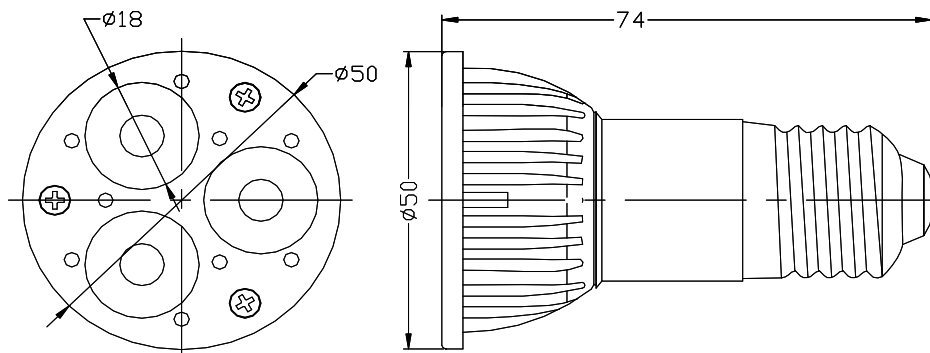
Product Code

OF-JDRE2731xxS

Color Code

Color	Code
cool white	W
warm white	WW
red	R
green	G
blue	B
yellow	Y

Product Framework Dimension Chart

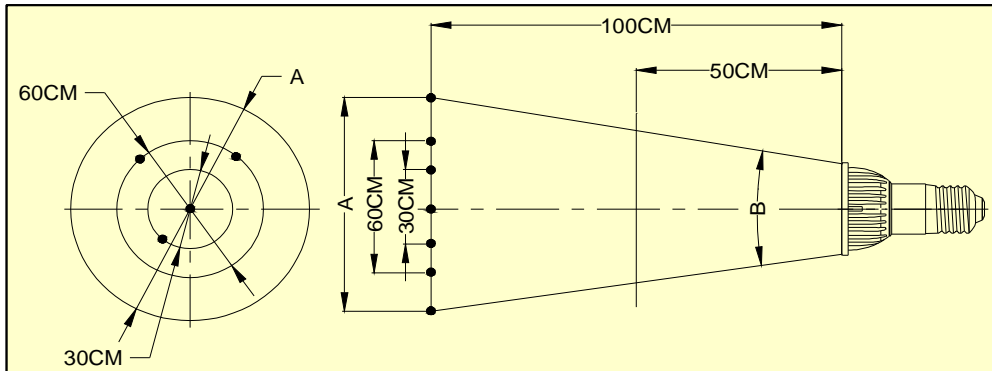


Unit : mm

1.FEATURES

- BULB TYPE : 3*1W E27 LED Bulb
- BASE TYPE : E27
- INPUT VOLTAGE : 85--260V AC with reversed polarity protect
- INPUT POWER : 4W
- OUTPUT POWER : 3.6W
- TOTAL LENGTH : 74mm
- BEAM ANGLE : 30degrees
- REFLECTOR EFFICIENCY : 90%
- LIGHT SOURCE : 3*1W high power LED
- LED OUTPUT CURRENT : 350mA
- BODY TEMPERATURE : <53°C
- LED WORKING TEMPERATURE : <66°C
- FULL RANGE OF COLORS : cool white, warm white, blue, green ,red,yellow
- NET WEIGHT : 80g
- ALUMINIUM HOUSING
- NO UV OR IR RADIATION

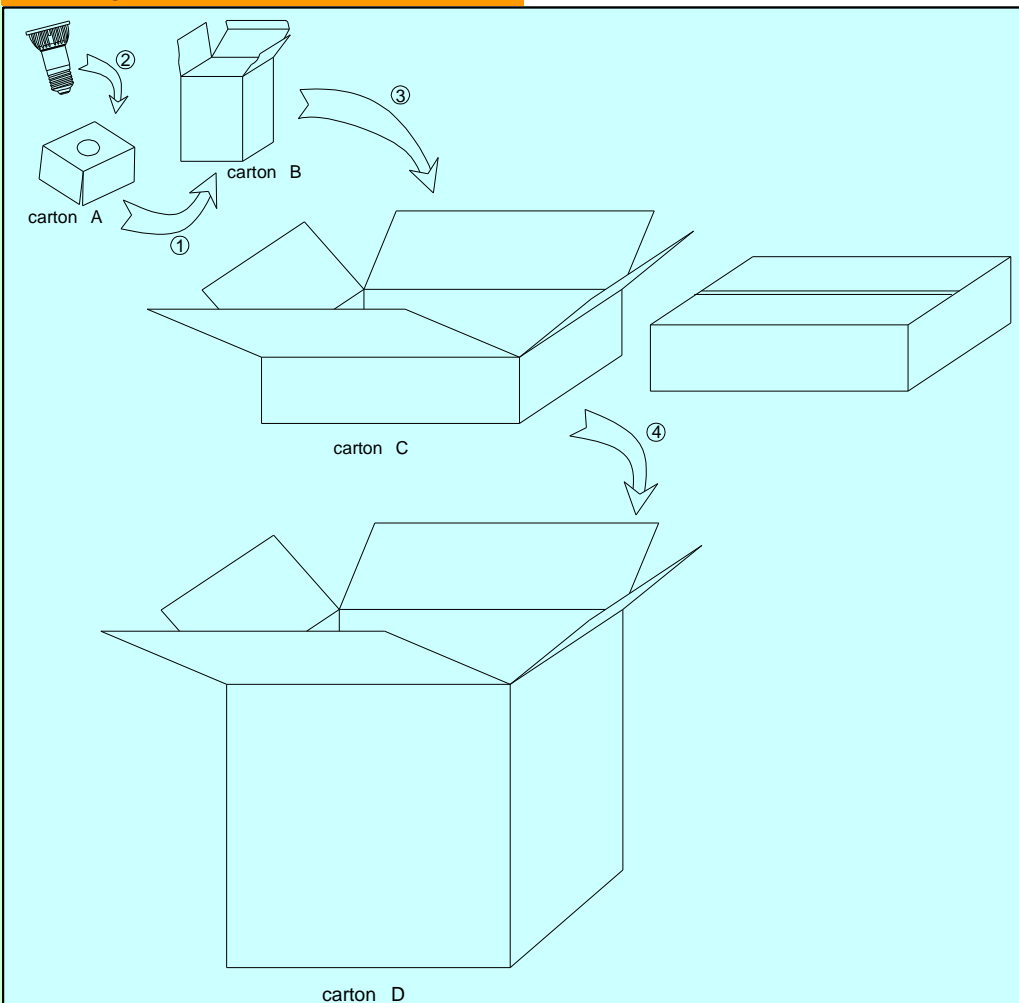
2.Chart of Aperture Luminous Intensity in One Metre distance away



Optical Characteristics at Ip=350mA OUTPUT POWER : 3W

part no.	LED Brand	Color	wavelength/C CT(nm/K)	Luminous Flux (LM)	center illuminance @1M/0.5M (LUX)	Dia 60/30CM 1M/0.5M (LUX)	light circle@1 M/0.5M
OF-JDRE2731WS	Seoul	cool white	5000-7000K	150	1100/4200	50/180	110/55
OF-JDRE2731WWS		warm white	2800-3500K	75	450/1800	50/200	110/55

5.Packing Criterion



- Packing Notice :
- 1.Qty/ctn(100pcs)
 - 2.Gross Weight:10.5kg
 - 3.Size of carton:31*25*44CM
 - 4.Handle with care