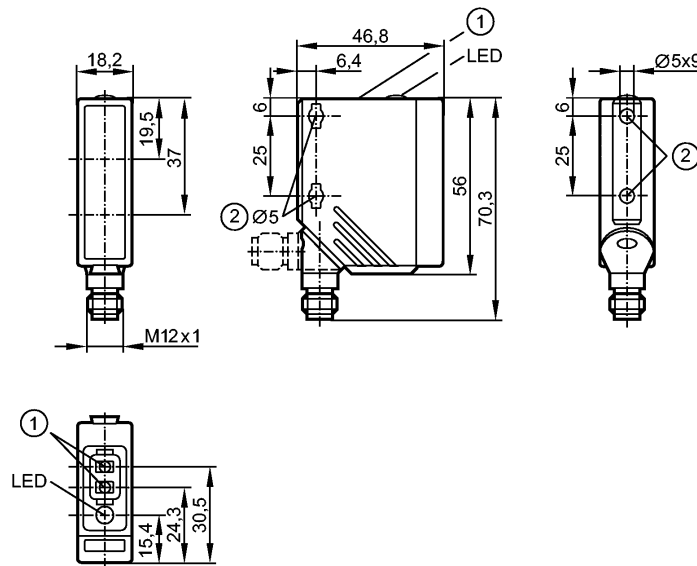


O5H501

O5H-FPKG/US100

Photoelectric sensors



- 1: Programming buttons
- 2: When a M5 mounting screw is used, the max. tightening torque is 2 Nm.

Receiver in upper lens, transmitter in lower lens



Made in Germany

Product characteristics

Diffuse reflection sensor	
Rectangular, plastics	
Connector	
Background suppression	
Teach function	
Electronic lock	
Range 60...700mm (Range referred to white paper 200 x 200 mm, 90 % remission)	
adjustable	

Electrical data

Electrical design		DC PNP
Operating voltage [V]		10...36 DC 1)
Current consumption [mA]		30
Type of light		Red light 624 nm
Protection class		II
Reverse polarity protection		yes

Outputs

Output function		light-on / dark-on programmable
Voltage drop [V]		< 2.5
Current rating [mA]		200
Short-circuit protection		pulsed
Overload protection		yes
Switching frequency [Hz]		1000

Range

Range [mm]		
Range [mm]		60...700 (Range referred to white paper 200 x 200 mm, 90 % remission)
- Object white (90 % remission)		60...700

O5H501

O5H-FPKG/US100

Photoelectric sensors

- Object grey (18 % remission)	60...370
- Object black (6 % remission)	60...210
Light spot diameter [mm]	35 (at maximum range)

Environment	
Ambient temperature [°C]	-25...60
Protection	IP 67

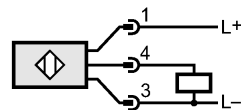
Tests / approvals	
EMC	EN 60947-5-2
MTTF [Years]	360

Mechanical data	
Housing materials	housing: PA; bezel: high-grade stainless steel; operator interface: TPU
Lens material	PMMA
Weight [kg]	0.067

Displays / operating elements	
Output status indication LED	yellow

Electrical connection	
Connection	M12 connector

Wiring



Remarks	
Remarks	1) cULus - Class 2 source required
Pack quantity [piece]	1