



## RJ45 T-Adapter 100BaseT/ISDN

Part no.: NP0043

### Technical Features

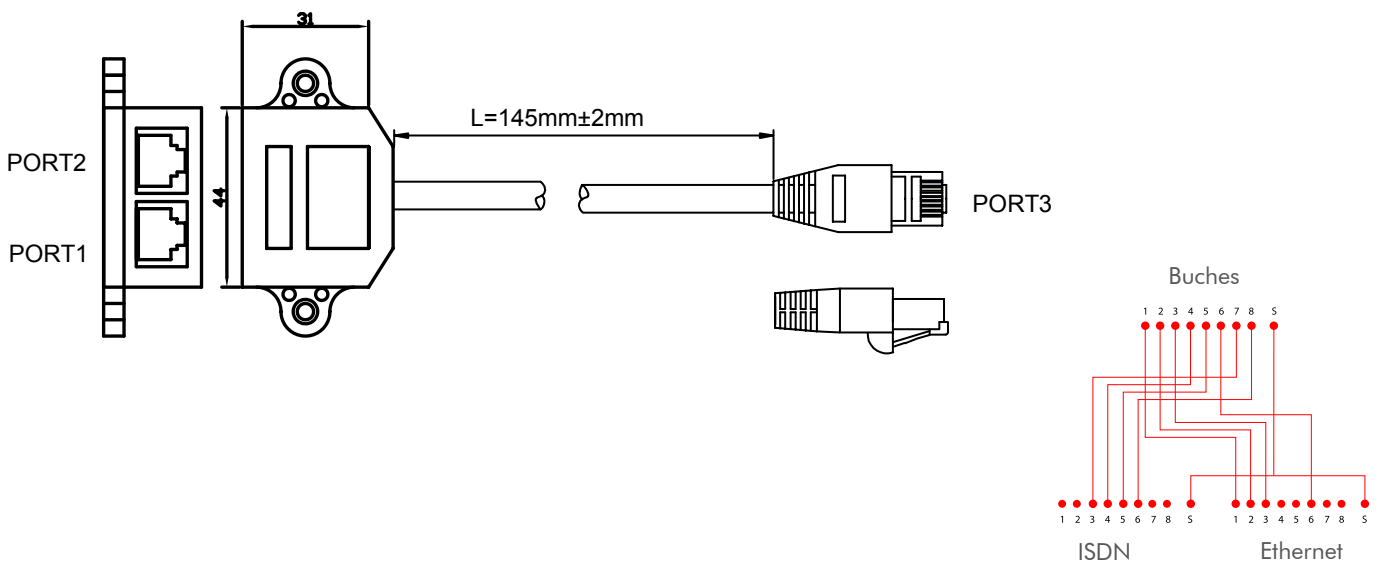
Output: 1x 10 / 100BaseT / 1x ISDN, shielded

For TP cable sharing

2 Adapters needed

Metallized housing with 15 cm cable

### Technical Drawings



NP0043



4 052792 003741

Made in China

www.logilink.com



RoHS  
compliant



\* The specifications and pictures are subject to change without notice.  
\*All trade names referenced are the registered trademark of their respective owners.

## Package Contents

## Packaging Informations

Packing Dimension	150 x 50 x 25mm
Packing Weight	0.05kg
Carton Dimension	53.5 x 36 x 31mm
Carton Q'ty	200pcs
Carton Weight	6.5kg

NP0043



4 052792 003741

Made in China

[www.logilink.com](http://www.logilink.com)



RoHS  
compliant



\* The specifications and pictures are subject to change without notice.  
\*All trade names referenced are the registered namework of their respective owners.