

## Cat.6A Keystone Jack STP, Toolless

Part no.: NK4000

### Technical Features

Modular RJ45 Keystone Jack Cat.6A

Class EA, 10 Gbps, 500 MHz

Slim housing, width only 15.8 mm

According to ISO/IEC 11801 and TIA/EIA 568C.2

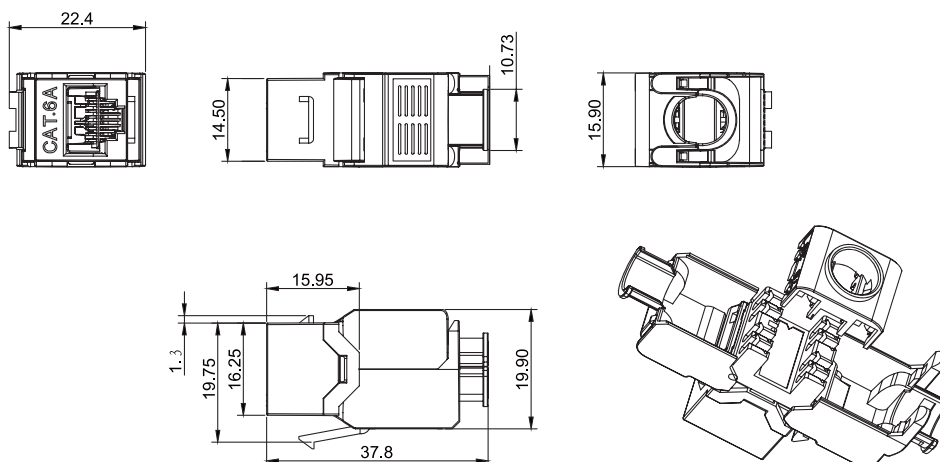
360° Shielded Zinc-alloy die-cast housing

Suitable for 22AWG to 24AWG (0,45-0,65 mm) wire

For cable with OD from 5 mm up to 7.5 mm

Dimension: 37.9 × 15.8 × 22.2 mm (L×B×H)

### Technical Drawings



NK4000



4 052792 040173

Made in China

[www.logilink.de](http://www.logilink.de)



RoHS  
compliant



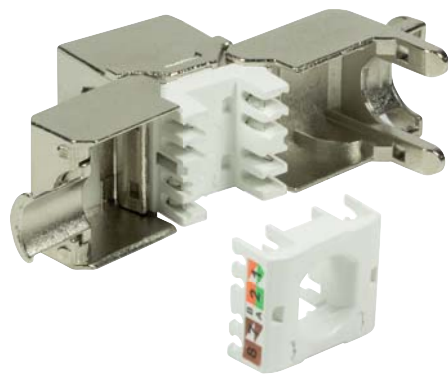
\* The specifications and pictures are subject to change without notice.  
\*All trade names referenced are the registered trademark of their respective owners.

## Package Contents

Cat.6A Keystone Jack x 1

## Packaging Informations

Packing Dimension	123 x 80 x 15mm
Packing Weight	0.0235kg
Carton Dimension	375 x 290 x 175mm
Carton Q'ty	250pcs
Carton Weight	7.1kg



NK4000



4 052792 040173

Made in China

[www.logilink.de](http://www.logilink.de)



RoHS  
compliant



\* The specifications and pictures are subject to change without notice.  
\*All trade names referenced are the registered trademark of their respective owners.