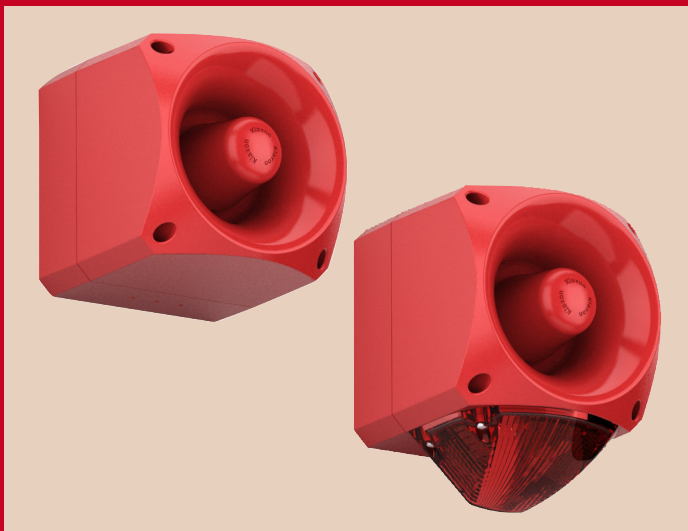


Nexus 105



Features

- High sound output 105dB for areas with high background noise
- Quarter turn fasteners for ease of installation
- Wire to base
- Powerful 5J xenon beacons
- IP66 rated
- Wide voltage 8-60V and dual voltage 110/230V
- Volume control for greater flexibility
- Choice of colours

Overview

The Nexus 105 is a high output, low current consumption sounder designed for industrial, fire and marine use.

Connections are made to the base during the initial wiring phase which results in faster and more reliable installation. In addition, the head "clicks into place" and is fixed by quarter turn fasteners avoiding the need to screw up four individual screws thus enabling faster installation and accurate seal compression for weatherproofing.

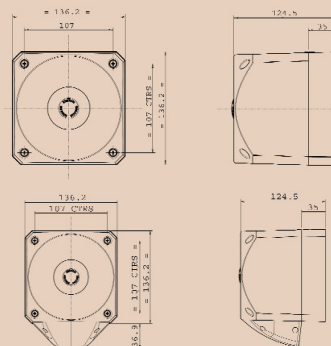
IP66 as standard means that Nexus can be installed in almost any location.

A powerful 5J xenon beacon can be added to the Nexus sounder. The combination of powerful sounder and high output beacon ensures a very effective audio-visual signal.

110dB and 120dB units are available as part of the Nexus range - see separate datasheet.

Applications

- Fire alarm; conveyors; process control alarm; cranes; moving machinery; general signalling; marine

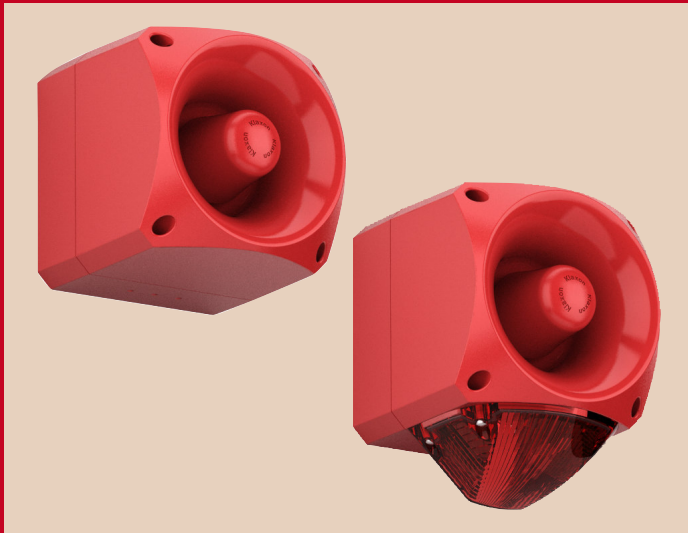


- Fire
- Security
- Industrial
- Railway/Marine
- Hazardous Area
- Public Warning

Part No.	Colours	Audibility at 1m (tone dependent)	Tones	Voltage	Current (tone dependent)
18-980542	Red	105dB (A)	64	10-60V DC	18-40mA
18-980543	Red body, red lens	105dB (A)	64	10-60V DC	18-40mA
18-980544	Red body, amber lens	105dB (A)	64	10-60V DC	18-40mA
18-980548	Red	105dB (A)	64	110/230V AC	11-23mA
18-980549	Red body, red lens	105dB (A)	64	110/230V AC	11-23mA
18-980550	Red body, amber lens	105dB (A)	64	110/230V AC	11-23mA

IP Rating: IP66 Rating: Continuous Frequency: See Tone Table Operating Temp: -25°C to +70°C
Construction: UL V0 Rated Polycarbonate Cable Entries: 5 Weight: TBA

Nexus 110



Features

- High sound output 110dB for areas with high background noise
- Quarter turn fasteners for ease of installation
- Wire to base
- Powerful 5J xenon beacon
- IP66 rated
- Wide voltage 8-60V and dual voltage 110/230V
- Volume control for greater flexibility
- Choice of colours

Overview

The Nexus 110 is a high output, low current consumption sounder designed for industrial, fire and marine use.

Connections are made to the base during the initial wiring phase which results in faster and more reliable installation. In addition, the head "clicks into place" and is fixed by quarter turn fasteners avoiding the need to screw up four individual screws thus enabling faster installation and accurate seal compression for weatherproofing.

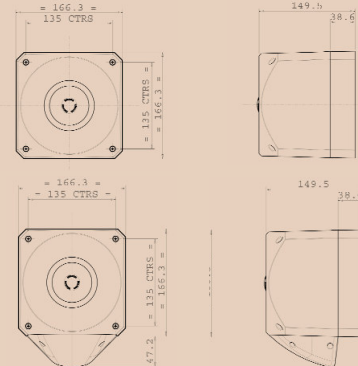
IP66 as standard means that Nexus can be installed in almost any location.

A powerful 5J xenon beacon can be added to the Nexus sounder. The combination of powerful sounder and high output beacon ensures a very effective audio-visual signal.

105dB and 120dB units are available as part of the Nexus range - see separate datasheet.

Applications

- Fire alarm; conveyors; process control alarm; cranes; moving machinery; general signalling; marine



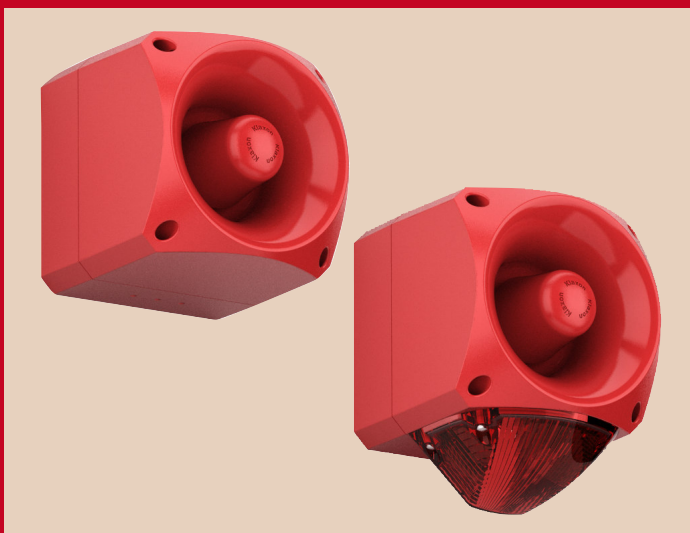
- Fire
- Security
- Industrial
- Railway/Marine
- Hazardous Area
- Public Warning

Part No.	Colours	Audibility at 1m (tone dependent)	Tones	Voltage	Current (tone dependent)
18-980554	Red	110dB (A)	64	10-60V DC	10-40mA
18-980555	Red body, red lens	110dB (A)	64	10-60V DC	10-40mA
18-980556	Red body, amber lens	110dB (A)	64	10-60V DC	10-40mA
18-980557	Red	110dB (A)	64	110/230V AC	11-23mA
18-980558	Red body, red lens	110dB (A)	64	110/230V AC	11-23mA
18-980559	Red body, amber lens	110dB (A)	64	110/230V AC	11-23mA

IP Rating: IP66 Rating: Continuous Frequency: See Tone Table Operating Temp: -25°C to +70°C

Construction: UL V0 Rated Polycarbonate Cable Entries: 5 Weight: TBA

Nexus 120



Features

- High sound output 120 dB for areas with high background noise
- Quarter turn fasteners for ease of installation
- Wire to base
- Very powerful beacons
- IP66 rated
- Wide voltage 8-60V and dual voltage 110/230V
- Volume control for greater flexibility
- Choice of colours

Overview

The Nexus 120 is a high output, low current consumption sounder designed for industrial, fire and marine use.

Connections are made to the base during the initial wiring phase which results in faster and more reliable installation. In addition, the head "clicks into place" and is fixed by quarter turn fasteners avoiding the need to screw up four individual screws thus enabling faster installation and accurate seal compression for weatherproofing.

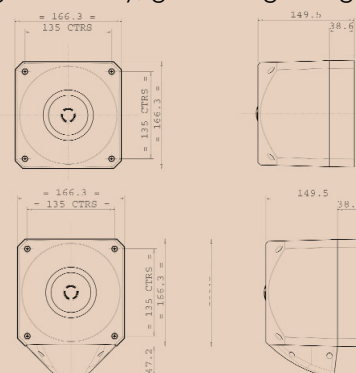
IP66 as standard means that Nexus can be installed in almost any location.

A powerful 5J xenon beacon can be added to the Nexus sounder. The combination of powerful sounder and high output beacon ensures a very effective audio-visual signal.

105dB and 110dB units are available as part of the Nexus range - see separate datasheet.

Applications

- Fire alarm; conveyors; process control alarm; cranes; moving machinery; general signalling; marine



- Fire
- Security
- Industrial
- Railway/Marine
- Hazardous Area
- Public Warning

Part No.	Colours	Audibility at 1m (tone dependent)	Tones	Voltage	Current (tone dependent)
18-980545	Red	120dB (A)	64	10-60V DC	190-500mA
18-980546	Red body, red lens	120dB (A)	64	10-60V DC	190-500mA
18-980547	Red body, amber lens	120dB (A)	64	10-60V DC	190-500mA
18-980551	Red	120dB (A)	64	110/230V AC	88-180mA
18-980552	Red body, red lens	120dB (A)	64	110/230V AC	88-180mA
18-980553	Red body, amber lens	120dB (A)	64	110/230V AC	88-180mA

IP Rating: IP66 **Rating:** Continuous **Frequency:** See Tone Table **Operating Temp:** -25°C to +70°C
Construction: UL V0 Rated Polycarbonate **Cable Entries:** 5 **Weight:** TBA