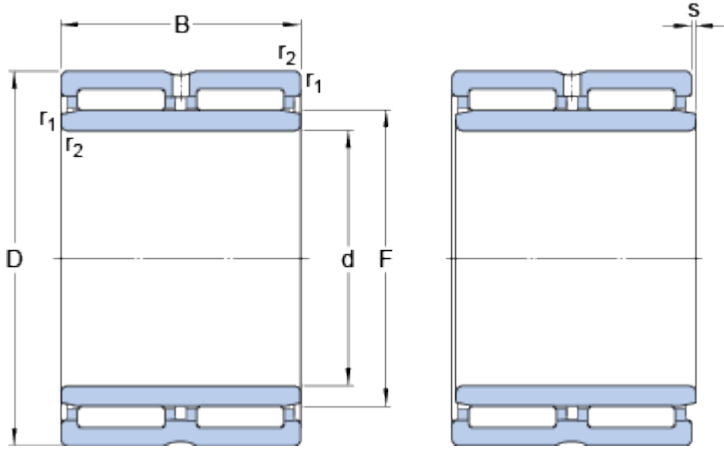


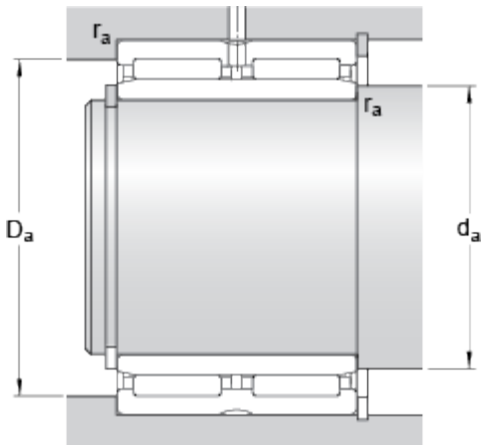
NA 6910

Dimensions



d	50	mm
D	72	mm
B	40	mm
F	58	mm
$r_{1,2}$	min. 0.6	mm
s	max. 0.5	mm

Abutment dimensions



d_a	min. 54	mm
D_a	max. 68	mm
r_a	max. 0.6	mm

Calculation data

Basic dynamic load rating	C	73.7	kN
Basic static load rating	C_0	150	kN
Fatigue load limit	P_u	18.6	kN
Reference speed		7000	r/min
Limiting speed		8000	r/min

Mass

Mass bearing		0.52	kg
--------------	--	-------------	----