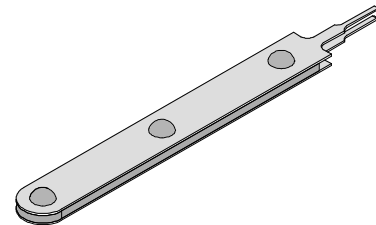




**Extractor Tool  
Instruction Sheet  
Order No. 11-03-0044  
Engineering No. HT60630B**



**FEATURES**

- This Extractor Tool is for the removal of Mini-Fit Jr.™ Crimped Terminals Series from their housings.

**SCOPE**

Products: Mini-Fit Jr.™, Mini-Fit HCS™, and Mini-Fit Plus HCS™, Male, and Female Crimp Terminals 14-30 AWG and 2.00mm (.079") Pitch Board-In Male Crimp Terminal, 24-28 AWG.

| Terminal Series No. | Terminal Order No. |            |            |            |            |            |
|---------------------|--------------------|------------|------------|------------|------------|------------|
| 5556                | 39-00-0038         | 39-00-0039 | 39-00-0046 | 39-00-0047 | 39-00-0055 | 39-00-0056 |
|                     | 39-00-0059         | 39-00-0060 | 39-00-0065 | 39-00-0066 | 39-00-0073 | 39-00-0074 |
|                     | 39-00-0077         | 39-00-0078 | 39-00-0079 | 39-00-0080 | 39-00-0089 | 39-00-0090 |
|                     | 39-00-0093         | 39-00-0094 | 39-00-0108 | 39-00-0109 | 39-00-0110 | 39-00-0111 |
|                     | 39-00-0112         | 39-00-0113 | 39-00-0114 | 39-00-0115 | 39-00-0116 | 39-00-0117 |
|                     | 39-00-0118         | 39-00-0119 | 39-00-0141 | 39-00-0142 | 39-00-0153 | 39-00-0154 |
|                     | 39-00-0157         | 39-00-0158 | 39-00-0163 | 39-00-0164 | 39-00-0167 | 39-00-0168 |
|                     | 39-00-0169         | 39-00-0170 | 39-00-0173 | 39-00-0174 | 39-00-0175 | 39-00-0176 |
|                     | 39-00-0179         | 39-00-0180 | 39-00-0181 | 39-00-0182 | 39-00-0185 | 39-00-0186 |
|                     | 39-00-0194         | 39-00-0195 | 39-00-0198 | 39-00-0200 | 39-00-0201 | 39-00-0204 |
|                     | 39-00-0205         | 39-00-0207 | 39-00-0208 | 39-00-0211 | 39-00-0212 | 39-00-0213 |
|                     | 39-00-0214         | 39-00-0217 | 39-00-0218 | 39-00-0405 | 39-00-0406 | 39-00-0410 |
|                     | 39-00-0419         | 39-00-0425 | 39-00-0428 | 39-00-0429 | 39-00-0436 | 39-00-0440 |
|                     | 39-00-0441         | 39-00-0447 | 39-00-0448 | 40-13-0851 | 40-13-0852 |            |
| 5558                | 39-00-0040         | 39-00-0041 | 39-00-0048 | 39-00-0049 | 39-00-0053 | 39-00-0054 |
|                     | 39-00-0061         | 39-00-0062 | 39-00-0067 | 39-00-0068 | 39-00-0075 | 39-00-0076 |
|                     | 39-00-0081         | 39-00-0082 | 39-00-0083 | 39-00-0084 | 39-00-0095 | 39-00-0096 |
|                     | 39-00-0099         | 39-00-0100 | 39-00-0120 | 39-00-0121 | 39-00-0124 | 39-00-0125 |
|                     | 39-00-0126         | 39-00-0127 | 39-00-0130 | 39-00-0131 | 39-00-0147 | 39-00-0148 |
|                     | 39-00-0219         | 39-00-0220 | 39-00-0223 | 39-00-0224 | 39-00-0411 | 39-00-0420 |
|                     | 39-00-0426         | 39-00-0430 | 39-00-0431 | 39-00-0437 | 39-00-0449 | 39-00-0450 |
|                     | 40-13-0853         | 40-13-0854 |            |            |            |            |
| 30490               | 30490-1002         | 30490-1012 | 30490-2002 | 30490-2012 | 30490-9802 | 30490-9902 |
| 44476               | 44476-1111         | 44476-1112 | 44476-1211 | 44476-1212 | 44476-3111 | 44476-3112 |
|                     | 44476-3211         | 44476-3212 | 44476-9901 | 44476-9902 | 44476-9903 | 44476-9904 |
|                     | 44476-9905         | 44476-9906 | 44476-9907 | 44476-9908 |            |            |
| 44478               | 44478-1111         | 44478-1112 | 44478-1221 | 44478-1122 | 44478-1211 | 44478-1212 |
|                     | 44478-1121         | 44478-1222 | 44478-3111 | 44478-3112 | 44478-3121 | 44478-3122 |
|                     | 44478-3211         | 44478-3212 | 44478-3221 | 44478-3222 | 44478-9901 | 44478-9902 |
|                     | 44478-9903         | 44478-9904 | 44478-9905 | 44478-9906 | 44478-9907 | 44478-9908 |
| 44485               | 44485-1211         | 44485-1212 | 44485-1311 | 44485-1312 | 44485-1411 | 44485-1412 |
|                     | 44485-2211         | 44485-2212 | 44485-2311 | 44485-2312 | 44485-2411 | 44485-2412 |
|                     | 44485-3211         | 44485-3212 | 44485-3311 | 44485-3312 | 44485-3411 | 44485-3412 |
|                     | 44485-5211         | 44485-5212 | 44485-5311 | 44485-5312 | 44485-5411 | 44485-5412 |

| Terminal Series No. | Terminal Order No. |            |            |            |            |            |
|---------------------|--------------------|------------|------------|------------|------------|------------|
|                     | 45750              | 45750-1111 | 45750-1112 | 45750-1211 | 45750-1212 | 45750-3111 |
| 45750-3211          |                    | 45750-3212 | 45750-4111 | 45750-4112 | 45750-4211 | 45750-4212 |
| 46012               | 46012-1141         | 46012-1142 | 46012-1241 | 46012-1242 | 46012-3141 | 46012-3142 |
|                     | 46012-3241         | 46012-3242 |            |            |            |            |
| 46018               | 46018-1541         | 46018-1542 | 46018-2541 | 46018-2542 | 46018-3541 | 46018-3542 |
| 46083               | 46083-1111         | 46083-1112 | 46083-1121 | 46083-1122 | 46083-1211 | 46083-1212 |
|                     | 46083-1221         | 46083-1222 | 46083-2111 | 46083-2112 | 46083-2121 | 46083-2122 |
|                     | 46083-2211         | 46083-2212 | 46083-2221 | 46083-2222 | 46083-3111 | 46083-3112 |
|                     | 46083-3121         | 46083-3122 | 46083-3211 | 46083-3212 | 46083-3221 | 46083-3222 |
| 46098               | 46098-1541         | 46098-1542 | 46098-2541 | 46098-2542 | 46098-3541 | 46098-3542 |
| 5378                | 39-00-0029         | 39-00-0030 |            |            |            |            |

**OPERATION:**

1. Insert the extractor tool into the housing as shown in Figure 1.
2. Use the slots located on the inside of the housing to guide the extraction tool blades into the housing until contact is made with terminal.
3. Continue to insert the tool always checking to see that the blades of extraction tool are on the outside of the contact as shown in Figure 2.
4. Continue to insert extraction tool into housing until the locking tangs have snapped out of their locked position. If the terminal locking tabs are still not totally depressed, hold on tight to the wire and push it towards the extractor tool, this will completely depress the locking tabs. See Figure 2.
5. Gently pull the terminal by the wire, out from the housing.

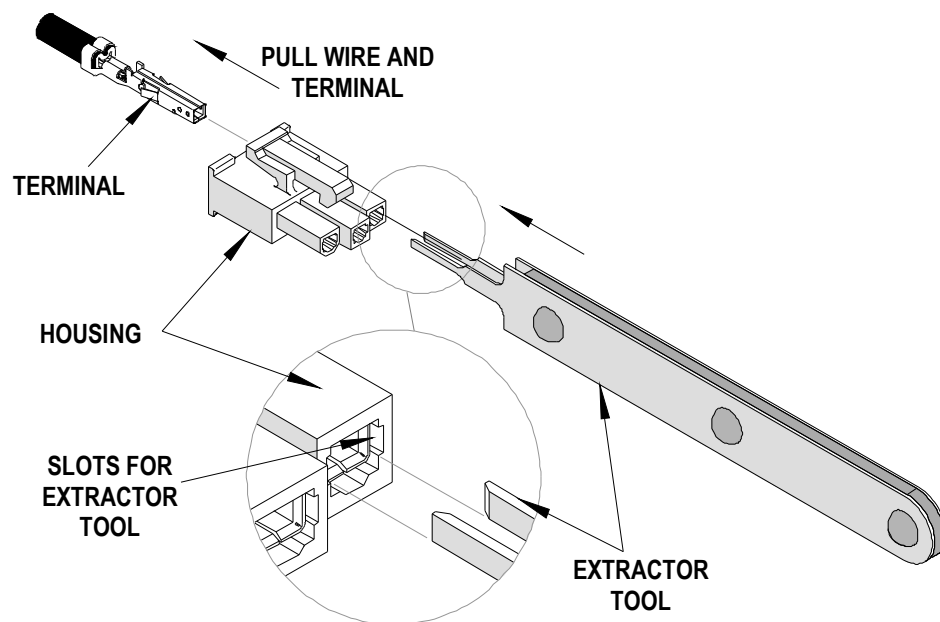


Figure 1

**NOTE:**

When a terminal is removed in this manner the locking tangs are damaged and the terminal is not reusable.

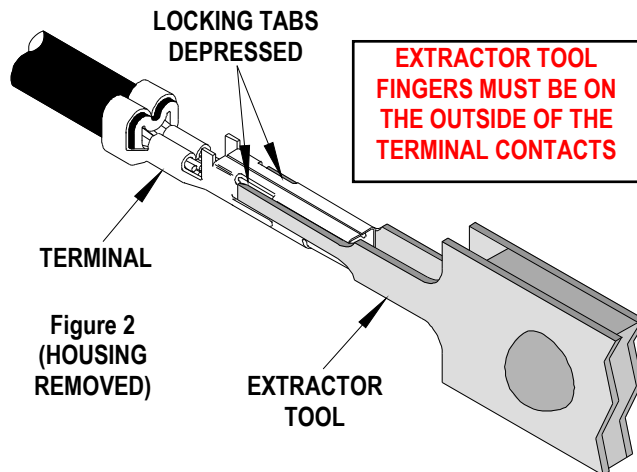


Figure 2  
(HOUSING REMOVED)

| Terminal and Housing Application Chart |                              | Uses Extractor Tool No. 63813-1200 <u>only</u> for these Terminal and Housing Combinations. |
|--|------------------------------|---|
| Terminal Series No.                    | Used with Housing Series No. |   |
| 44478-**2*                             | 44157                        |   |
| 44476                                  | 44156                        |   |

**For 5378 Terminal Series:**

Individual terminals may be extracted from the housing using this Tool.

1. Hold the housing with the locking tab facing up. Bend the wire down and insert one of the blades of the extractor tool into the housing under the locking tab. See Figure 3.
2. Hold the wire against the extractor tool and gently pull the terminal by the wire and the extractor tool at the same time out from the housing in the direction shown.

Molex does not offer repair parts for Extractor Tools due to the inexpensive nature of these tools

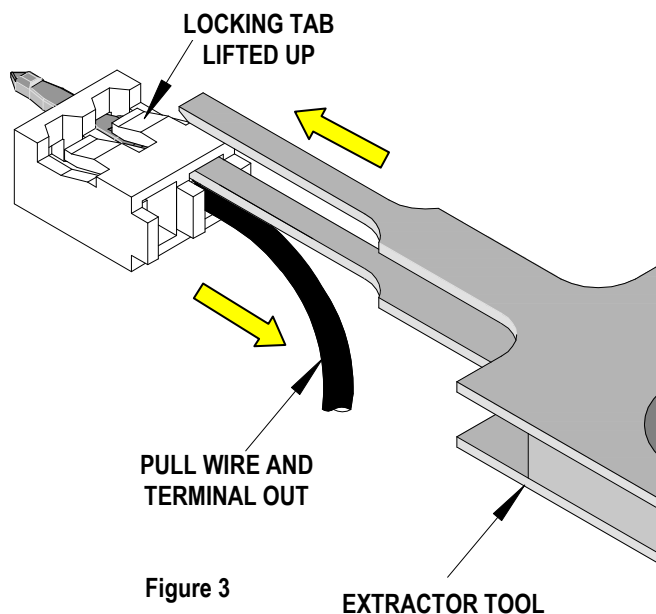


Figure 3

**Americas Headquarters**  
Lisle, Illinois 60532 U.S.A.  
1-800-78MOLEX  
amerinfo@molex.com

**Far East North Headquarters**  
Yamato, Kanagawa, Japan  
81-462-65-2324  
feninfo@molex.com

**Far East South Headquarters**  
Jurong, Singapore  
65-6-268-6868  
fesinfo@molex.com

**European Headquarters**  
Munich, Germany  
49-89-413092-0  
eurinfo@molex.com

**Corporate Headquarters**  
2222 Wellington Ct.  
Lisle, IL 60532 U.S.A.  
630-969-4550  
Fax: 630-969-1352

Visit our Web site at <http://www.molex.com>