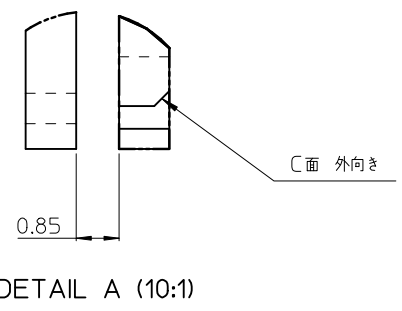
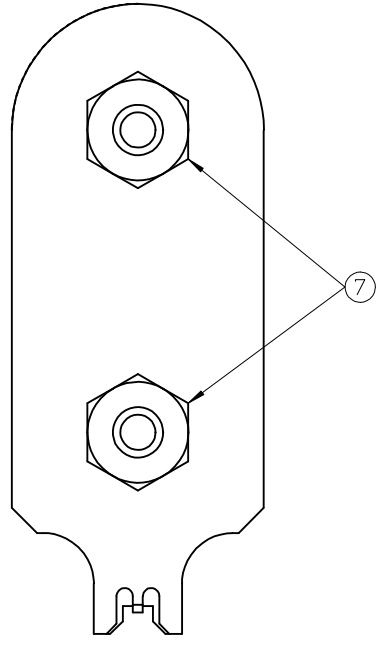
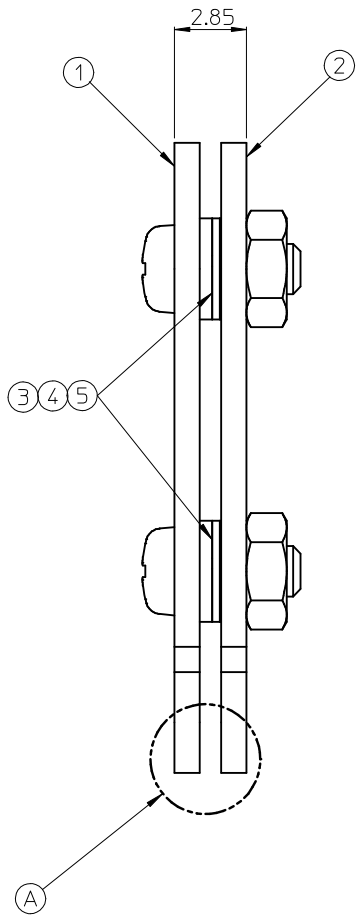
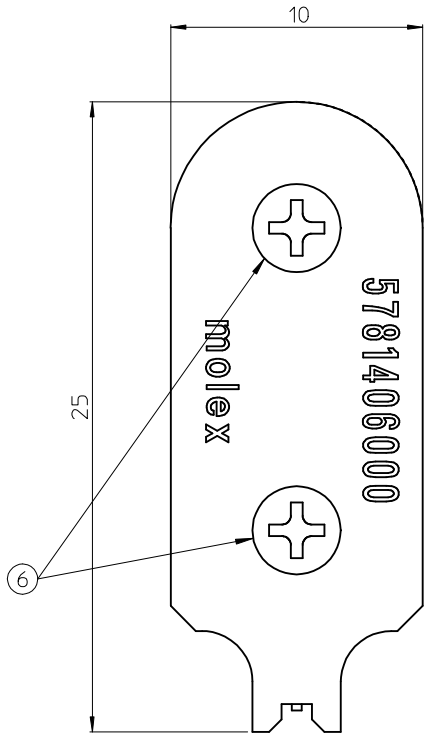


10 9 8 7 6 5 4 3 2 1

PARTS LIST				
No.	PART No.	QTY	PART NAME	DESCRIPTION
1	5781401601	1	GUIDE A	
2	5781401602	1	GUIDE B	
3	5781400601	2	SHIM	CIMRS4-2-0.05 (ミスミ)
4	5781400602	2	SHIM	CIMRS4-2-0.3 (ミスミ)
5	5781400603	2	SHIM	CIMRS4-2-0.5 (ミスミ)
6	5781400604	2	M2 L=5 ナベネジ	BKJ2-5 (ミスミ)
7	5781400605	2	M2 ナット	LBNR2 (ミスミ)
8				
9				
10				



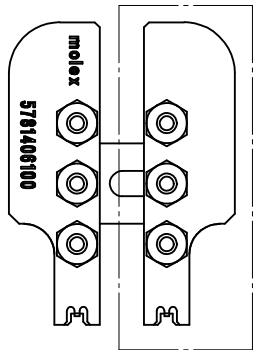
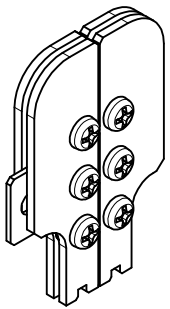
製作ロット数 : 10個

RELEASED
JT2014-0033
A
DRAWN BY: MOOSAWA
CHK BY: MOOSAWA
APPR BY: KUMEMOTO
REV. REL. DATE: 2014/05/21

※梱包は、個別梱包の事

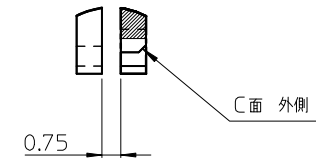
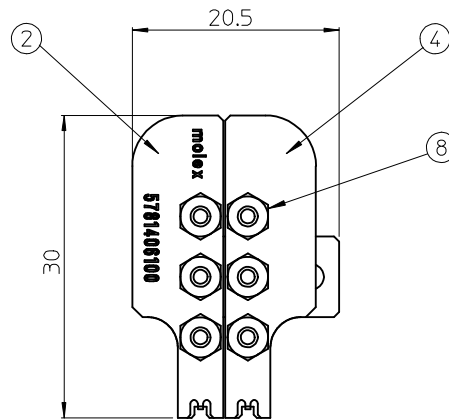
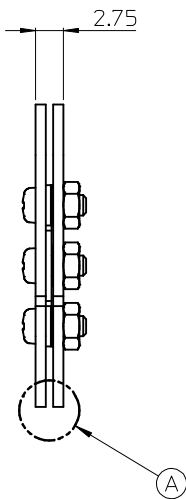
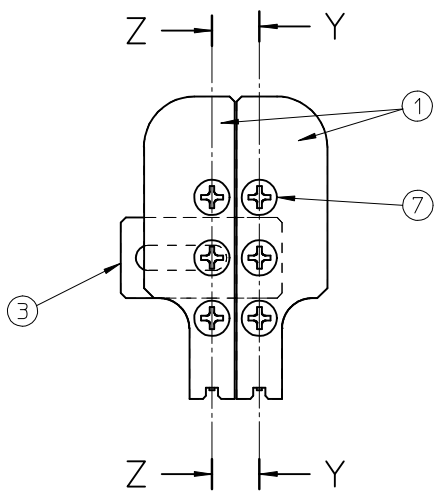
GENERAL TOLERANCES (UNLESS SPECIFIED) ANGULAR TOLERANCE ± 1°			DET. QTY.		molex	THIS DRAWING CONTAINS INFORMATION THAT IS PROPRIETARY TO MOLEX. INCORPORATED AND SHOULD NOT BE USED WITHOUT WRITTEN PERMISSION		
DESIGNED IN METRIC UNITS			MATERIAL			TITLE: LED EXTRACTION JIG W-B		
TOL'S	MM	INCH	DRAWN BY & DATE MOOSAWA 2014/05/12		REVISE ON CAD ONLY	SCALE: 5:1		
4 PLACES	±	±	CHECKED BY & DATE MOOSAWA		P/NO.			
3 PLACES	±0.005	±	APPROVED BY & DATE KUMEMOTO 2014/05/21		FILE TYPE SD_DRAWING	MATERIAL NO.	DESIGN FILE NO. 5781406000.jm	SERIES NO.
2 PLACES	±0.05	±	THIRD ANGLE PROJECTION		DRW SIZE A3	DOCUMENT NO. 5781406000	SEC.SHT. NO. 1 of 1	
1 PLACE	±0.1	±			TQCL LD.			

9 8 7 6 5 4 3 2 1



※スムーズに動く事

PARTS LIST				
No.	PART No.	QTY	PART NAME	DESCRIPTION
1	5781401611	2	GUIDE A	
2	5781401612	1	GUIDE B	
3	5781401613	1	GUIDE PLATE	
4	5781401614	1	GUIDE C	
5	5781400601	4	SHIM	CIMRS4-2-0.05 (ミスミ)
6	5781400603	4	SHIM	CIMRS4-2-0.5 (ミスミ)
7	5781400604	6	M2 L=5 ナベネジ	BKJ2-5 (ミスミ)
8	5781400605	6	M2 ナット	LBNR2 (ミスミ)
9	5781400611	2	SHIM	CIMRS4-2-0.1 (ミスミ)
10	5781400612	4	SHIM	CIMRS4-2-0.2 (ミスミ)

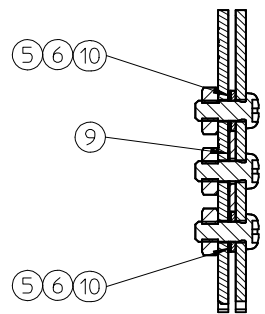


DETAIL A (5:1)

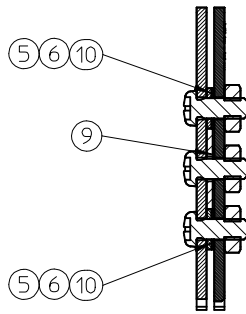
製作ロット数：10set

※梱包は個別梱包の事

RELEASED
JT2014-0033
A
DRAWN BY: MOOSAWA
CHK BY: MOOSAWA
APPR BY: KUMEMOTO
REV. REL. DATE: 2014/05/21

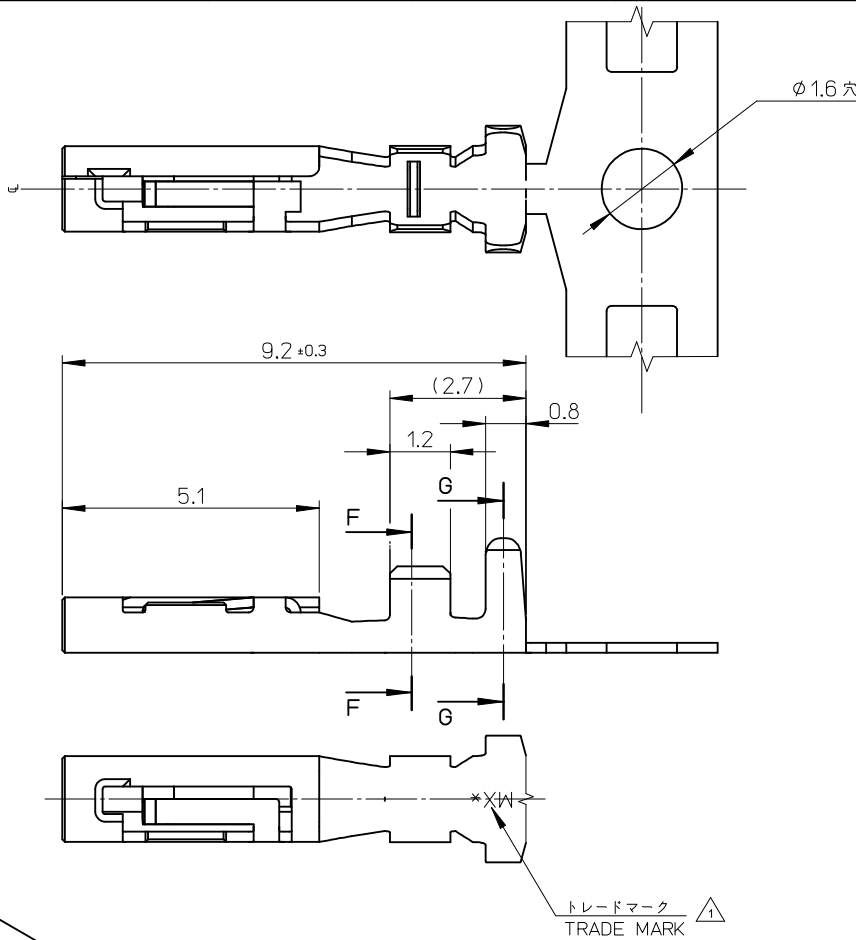


SECTION Z-Z

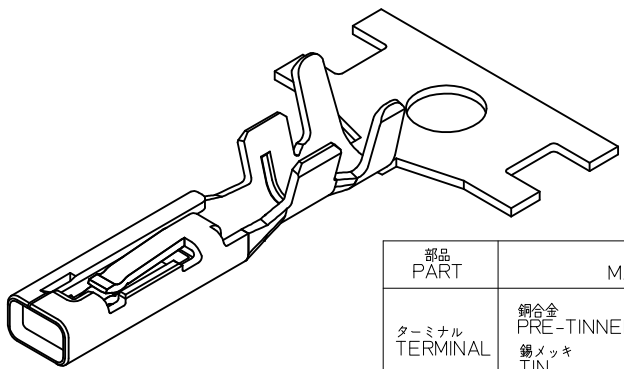
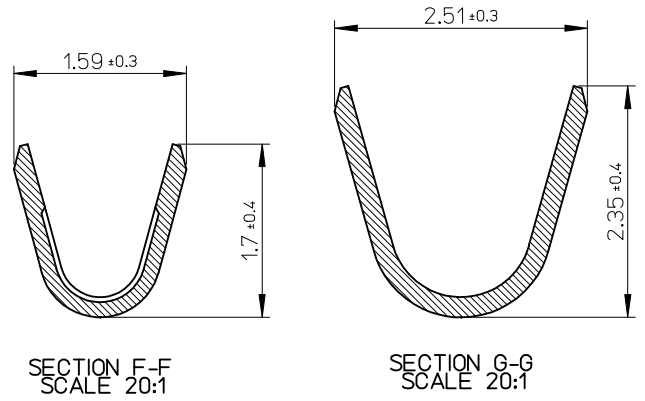


SECTION Y-Y

GENERAL TOLERANCES (UNLESS SPECIFIED)			DET. _____ QTY. _____		molex
ANGULAR TOLERANCE ± 1°			MATERIAL _____		
DESIGNED IN METRIC UNITS			FINISH _____		THIS DRAWING CONTAINS INFORMATION THAT IS PROPRIETARY TO MOLEX. INCORPORATED AND SHOULD NOT BE USED WITHOUT WRITTEN PERMISSION
TOL'S			HEAT TREAT HRC _____		
4 PLACES	±	±	DRAWN BY & DATE MOOSAWA 2014/05/12		REVISIONS SCALE 2:1
3 PLACES	±0.005	±	CHECKED BY & DATE MOOSAWA		TITLE: LED EXTRACTION JIG B-B
2 PLACES	±0.05	±	APPROVED BY & DATE KUMEMOTO 2014/05/21		FILE TYPE SD_DRAWING
1 PLACE	±0.1	±	THIRD ANGLE PROJECTION		MATERIAL NO. _____
			DRW SIZE A3		DESIGN FILE NO. 5781406100.jm
			TQCL LD. _____		SERIES NO. _____
			DOCUMENT NO. 5781406100		SEC.SHT. NO. 1 of 1



NOTES:
 1. トレードマーク：MXプラス1文字の製造工場を示すアルファベットにて表示。
 但し、"J"はJAPANを示す。(例 MXJ)
 FORMED BY MX AND 1 MORE LETTER OF ALPHABET
 WHICH MEAN THE MANUFACTORY.
 BUT "J" MEANS JAPAN. (TO TRADE MARK)(e.g. MXJ)
 2. 嵌合相手：5050710101
 MATE WITH: 5050710101
 3. ELVおよびRoHS適合品
 ELV AND RoHS COMPLIANT.



部品 PART	材質 MATERIAL
ターミナル TERMINAL	銅合金 PRE-TINNED COPPER ALLOY 錫メッキ TIN ニッケルメッキ(下地) NICKEL UNDER PLATING
適用電線範囲 WIRE RANGE	絶縁被覆外径 INSURATION RANGE
AWG:#22~#26 MM ² :0.126~0.34	φ0.9~φ1.7

REVISED EC NO: J2015-0616 DRWN:HTONEGAWA 2014/11/06 CHKD:TNIITSU 2014/11/06 APPR:MYAGI 2014/11/07	GENERAL TOLERANCES (UNLESS SPECIFIED)
	10 UNDER ±0.2
	10 OVER 30 UNDER ±0.25
	30 OVER ±0.3
ANGULAR ±1 °	
DRAFT WHERE APPLICABLE MUST REMAIN WITHIN DIMENSIONS	

DIMENSION STYLE MM ONLY	
DRAWN BY HTONEGAWA	DATE 2013/10/31
CHECKED BY TNIITSU	DATE 2013/10/31
APPROVED BY MYAGI	DATE 2014/01/09
MATERIAL NO.	DOCUMENT NO.
SIZE A3	THIS DRAWING CONTAINS INFORMATION THAT IS PROPRIETARY TO MOLEX INCORPORATED AND SHOULD NOT BE USED WITHOUT WRITTEN PERMISSION

5050730100	バラ状 LOOSE	505073
5050731100	連鎖状 CHAIN	
オーダー番号 ORDER No.	端子形状 FORM	CONNECTOR SERIES No.

SCALE 10:1	DESIGN UNITS METRIC	THIRD ANGLE PROJECTION
TITLE 1CKT. LED CONN. W/B RECEPTACLE H=1.2		
molex		
DOCUMENT NO. SD-505073-001		SHEET NO. 1 OF 1