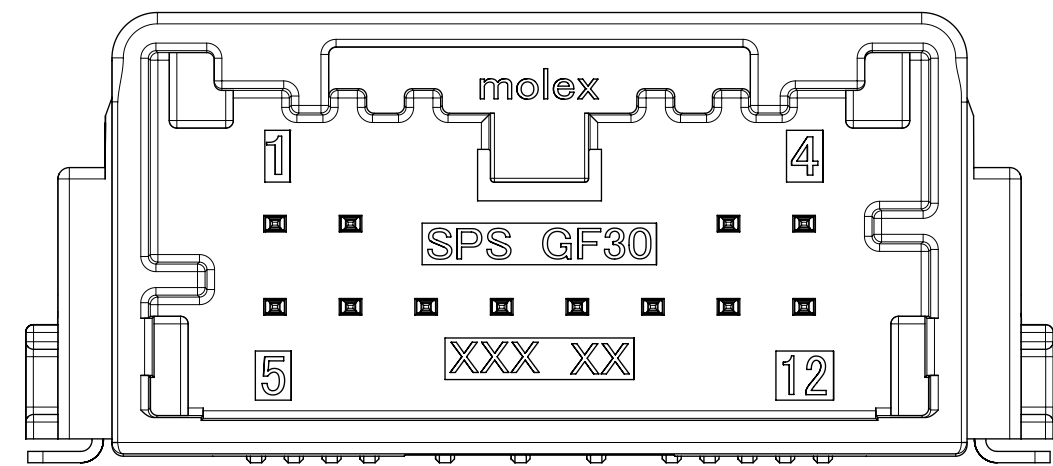
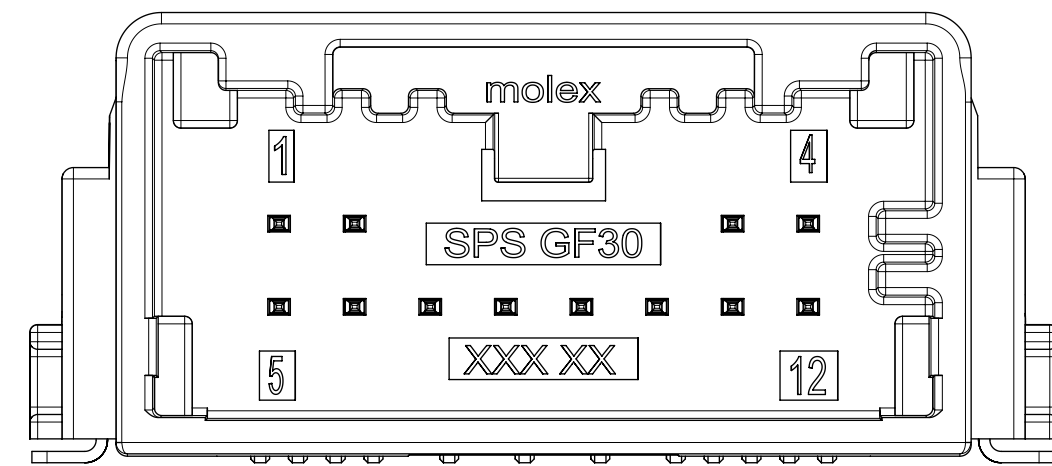


12 CIRCUIT SMT USCAR HEADER
POLARIZATION OPTION A

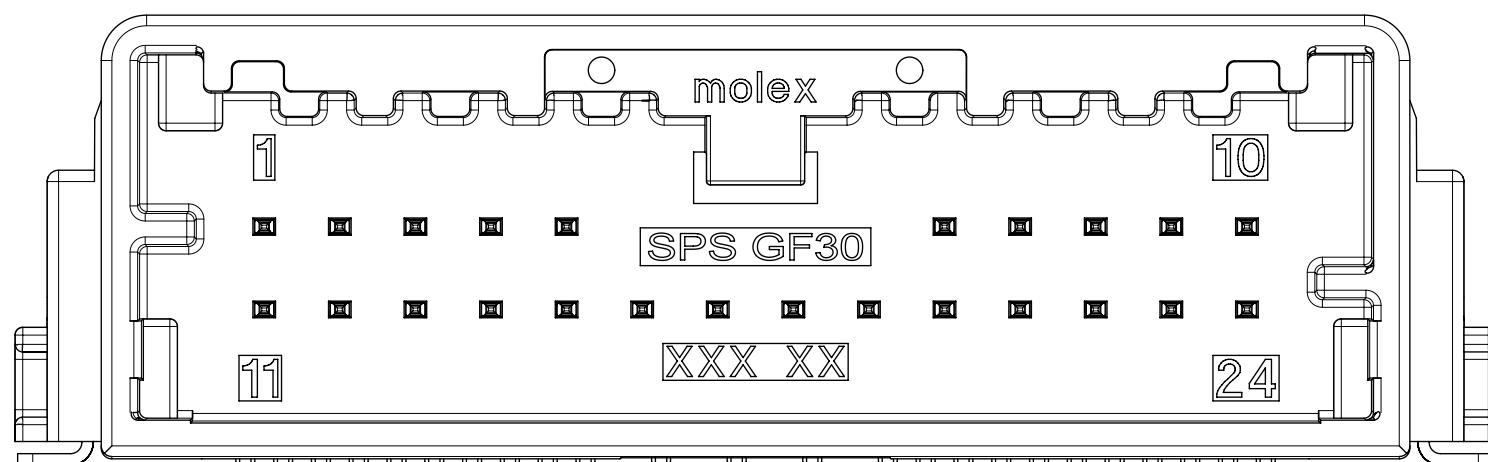


12 CIRCUIT SMT USCAR HEADER
POLARIZATION OPTION B

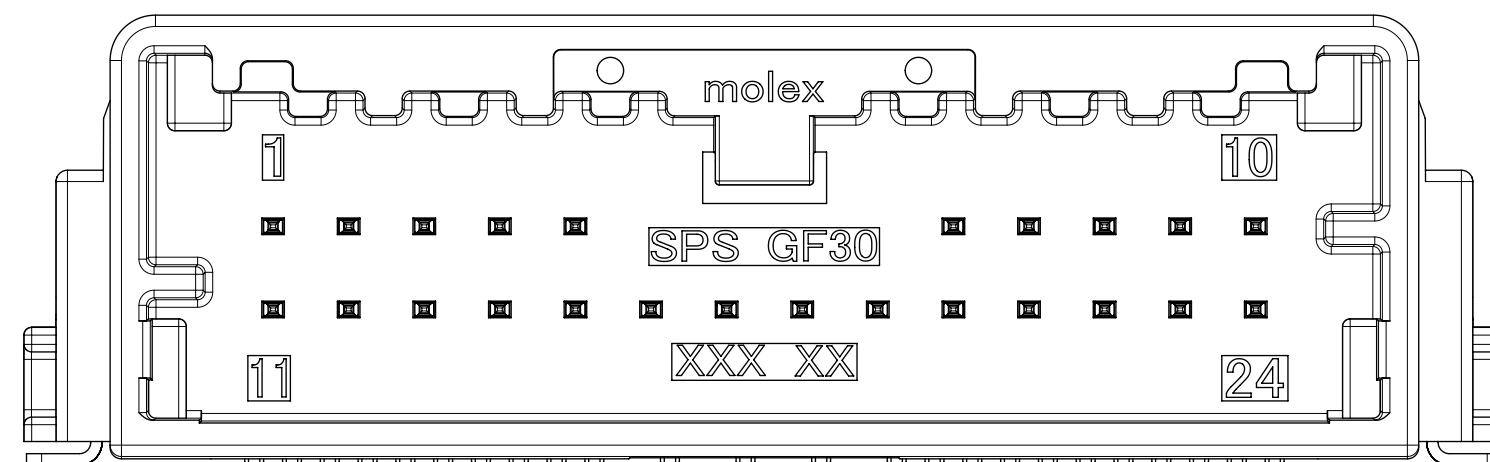


12 CIRCUIT SMT USCAR HEADER
POLARIZATION OPTION C

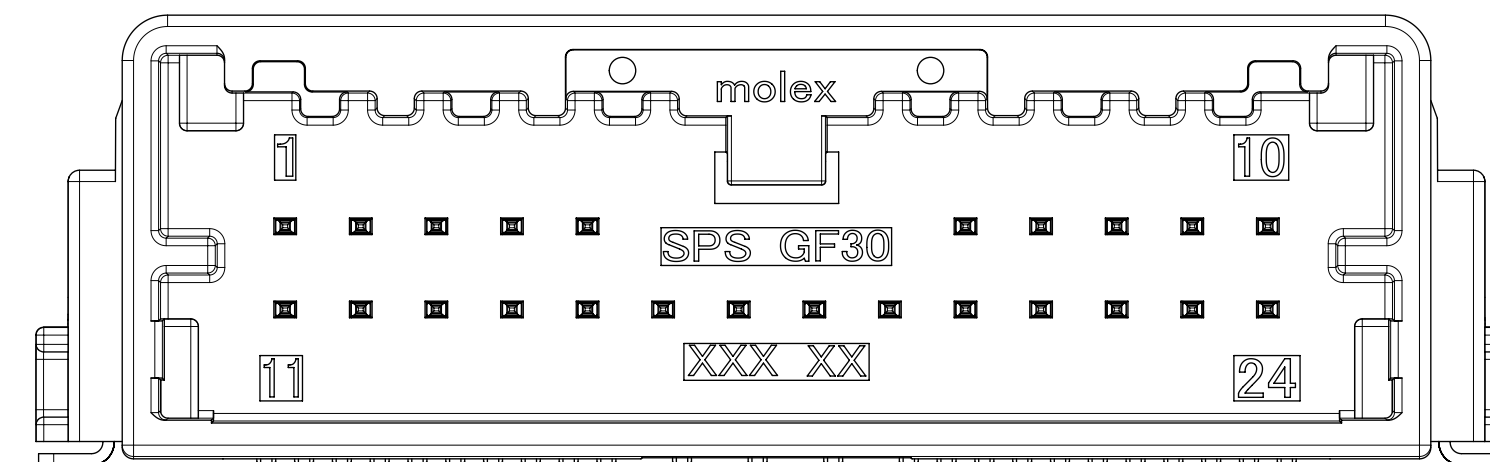
24CKT POLARIZATION OPTIONS SHOWN BELOW
ARE REPRESENTATIVE FOR 16 AND 20CKT



24 CIRCUIT SMT HEADER
POLARIZATION OPTION A



24 CIRCUIT SMT HEADER
POLARIZATION OPTION B



24 CIRCUIT SMT HEADER
POLARIZATION OPTION C

NOTES: VALID UNLESS OTHERWISE SPECIFIED

1. GENERAL:
 - a. APPLICATION SPECIFICATION SEE: AS-34791-020
 - b. PRODUCT SPECIFICATION SEE: PS-34791-020
 - c. PACKAGING SPECIFICATION PER MOLEX DRAWING: SEE CHART
 - d. SOLDERABILITY PER SMES-152
 - e. PARTS MUST BE IN COMPLIANCE TO MOLEX CHEMICAL SUBSTANCES FOR PRODUCTS AND PACKAGING SPECIFICATION: QEHS-699000-300
 - f. DATA MUST BE SUBMITTED UNDER THE MOLEX PART NUMBER TO IMDS (COMPANY ID#13255)
 - g. FLAMMABILITY REQUIREMENT: PER ISO3795 OR GM3191
 - h. VISUAL DEFECTS SHALL MEET COSMETIC STANDARD PS-45499-002 (Class B)
 2. DESIGN - MATERIALS:
 - a. SHROUD (PLASTIC HOUSING): SPS 30% GF, 25% REGRIND MAX PER WEIGHT
 - b. BLADES:
 - BASE METAL: C260 BRASS
 - PLATING REQUIREMENTS:
 - TIN:
 - UNDERPLATING:
 - OVERALL NICKEL: 1.25 - 2.25 MICROMETERS
 - OVERPLATING:
 - OVERALL TIN: 2.5 - 4.0 MICROMETERS
 - GOLD:
 - UNDERPLATING:
 - OVERALL NICKEL: 1.25 - 2.25 MICROMETERS
 - OVERPLATING:
 - CONTACT AREA: ELECTRODEPOSITED GOLD
 - MINIMUM 0.76 MICROMETERS HARD GOLD
 - PCB CONTACT AREA: ELECTRODEPOSITED TIN MATTE FINISH
 - MINIMUM 2.5 - 4.0 MICROMETERS
3. DESIGN - GEOMETRY:
 - a. THIS IS A 100% CAD GENERATED PART. THE CAD MATHEMATICAL DATA IS THE MASTER FOR THIS PART. FOR DIMENSIONAL OR ANY INFORMATION NOT SHOWN ON THIS DRAWING, ANALYZE THE CAD MODEL.
 - b. GEOMETRIC DIMENSIONS AND TOLERANCES PER ASME Y14.5M - 2009
 - c. GENERAL TOLERANCES: SEE TITLE BLOCK
 - d. EDGES AND UNDIMENSIONED DETAILS PER ISO13715
 - e. CORNERS SHOWN AS SHARP TO BE R 0.1 MAX
 - f. LETTERING SHALL BE BELOW SURROUNDING SURFACE OF PART. THIS INCLUDES RECYCLING CODE, PLANT AND CAVITY ID, VENDOR ID, AND CIRCUIT ID.

INSPECTION BALLOON NUMBER LOG	
PER DRAWING REVISION: W5	
LAST BALLOON USED: 16	
ADDED BALLOON NUMBERS:	
REMOVED BALLOON NUMBERS:	

W5	ADDED DIM BALLOON 15 & 16
W4	ADDED 16CKT GOLD DEPOPULATED POL A P/N
W3	NX REMASTERING
REV	DESCRIPTION

THIS DRAWING CONTAINS INFORMATION THAT IS PROPRIETARY TO MOLEX ELECTRONIC TECHNOLOGIES, LLC AND SHOULD NOT BE USED WITHOUT WRITTEN PERMISSION									
QUALITY SYMBOLS	EC NO: 614746 DRWN: KHEWITT CHKD: JDUNAJ REV APPR: JDUNAJ	2018/04/05 2019/03/29 2019/03/29	GENERAL TOLERANCES (UNLESS SPECIFIED)		DIMENSION UNITS	SCALE			
			ANGULAR TOL ± 1.0 °		MM ONLY	5:1			
▽ = 0			4 PLACES ±	TMACHUGA	DATE	MINI 50 DUAL ROW SMT HEADER ASSEMBLY SALES DRAWING			
▽ = 0			3 PLACES ±	CHKD BY	DATE				
▽ = 0			2 PLACES ± 0.10	APPR BY	DATE	PRODUCT CUSTOMER DRAWING			
▽ = 0			1 PLACE ± 0.2	SMARCEAU	2011/12/19				
▽ = 0			0 PLACES ±	DRAWING SIZE	THIRD ANGLE PROJECTION	SERIES	MATERIAL NUMBER	CUSTOMER	
▽ = 0			DRAFT WHERE APPLICABLE MUST REMAIN WITHIN DIMENSIONS	D	⊕	34897	SEE CHART	GENERAL MARKET	
▽ = 0						DOCUMENT NUMBER	DOC TYPE	DOC PART	SHEET NUMBER
						SD-34897-001	PSD	000	1 OF 5

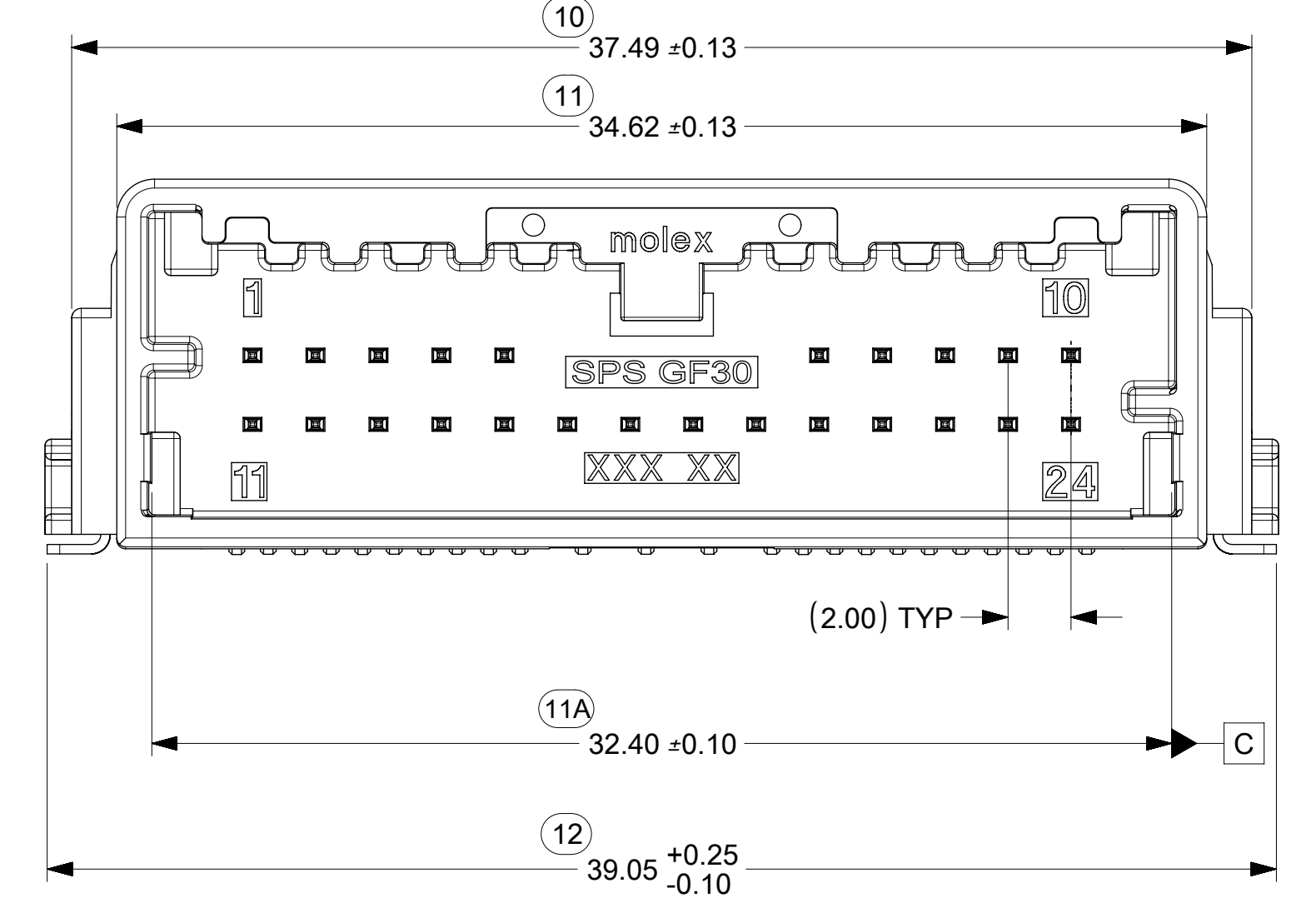
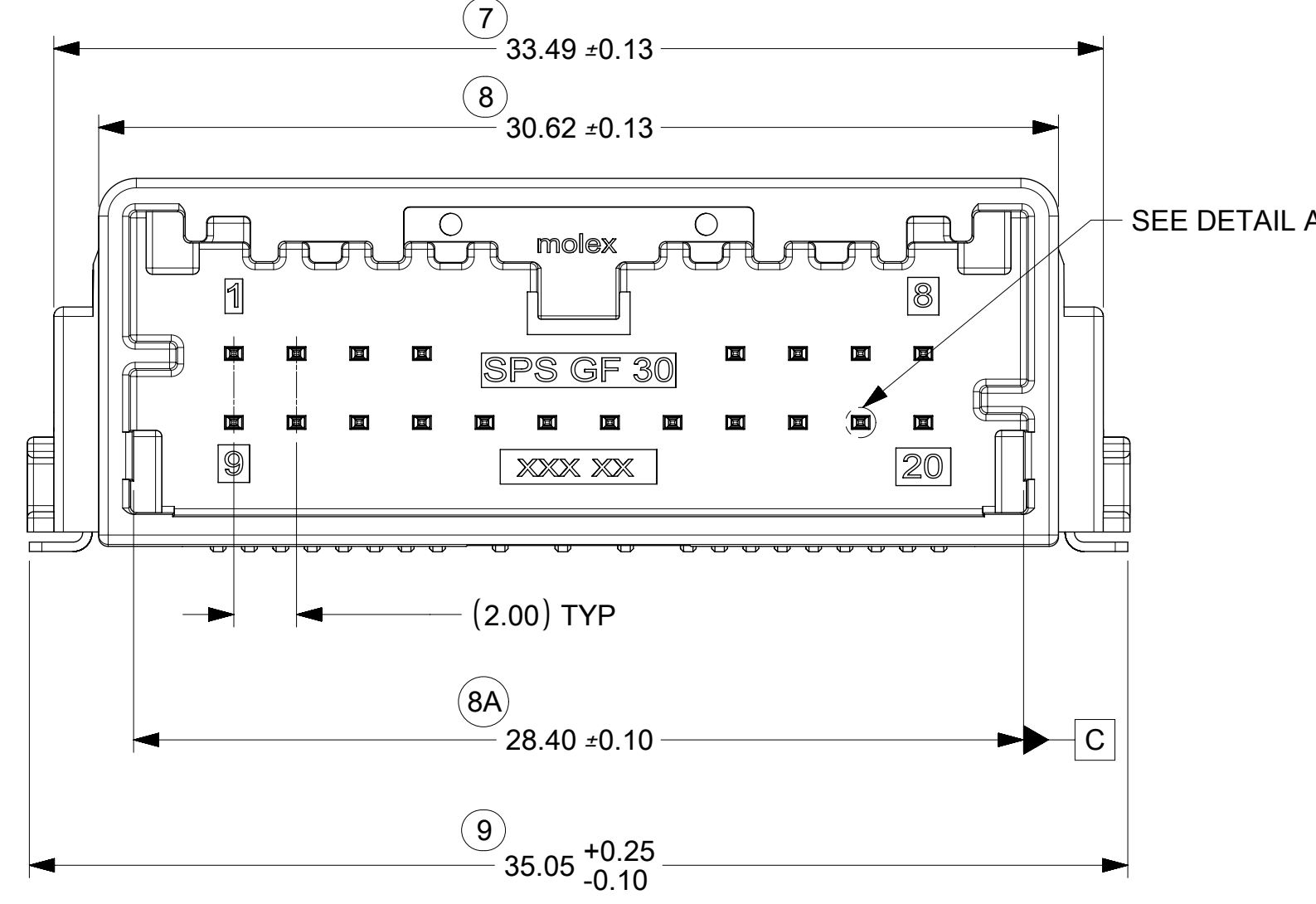
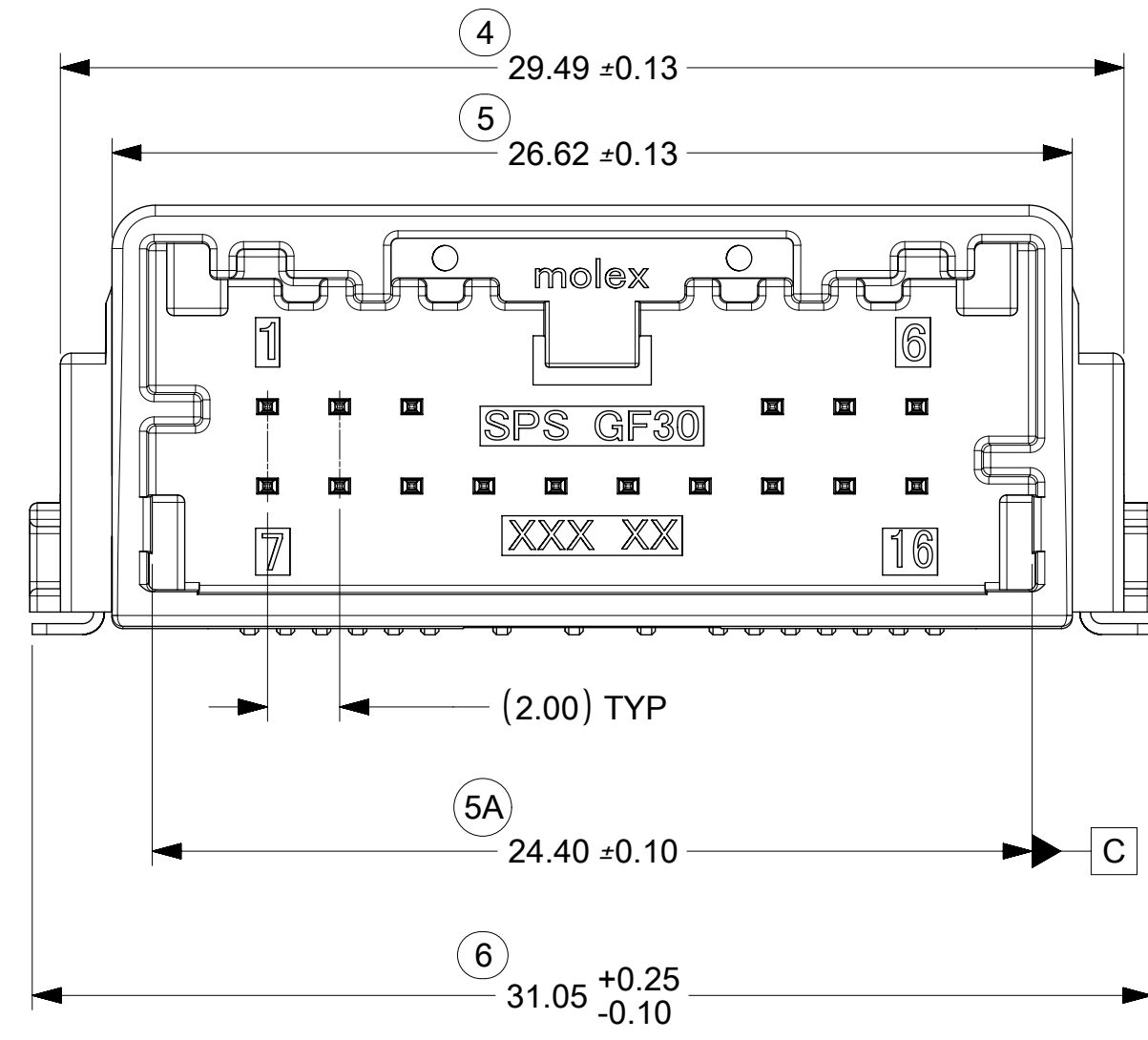
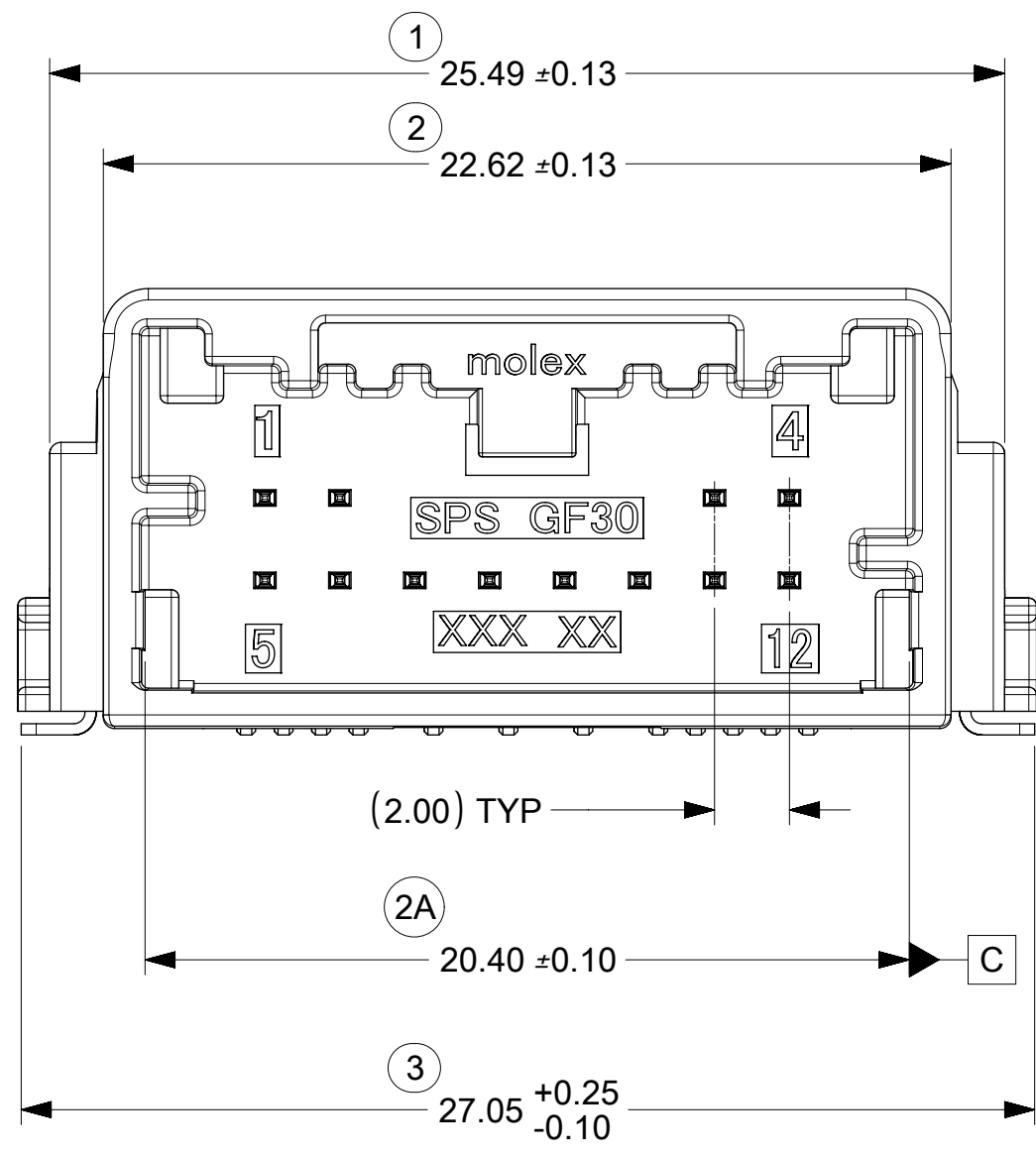
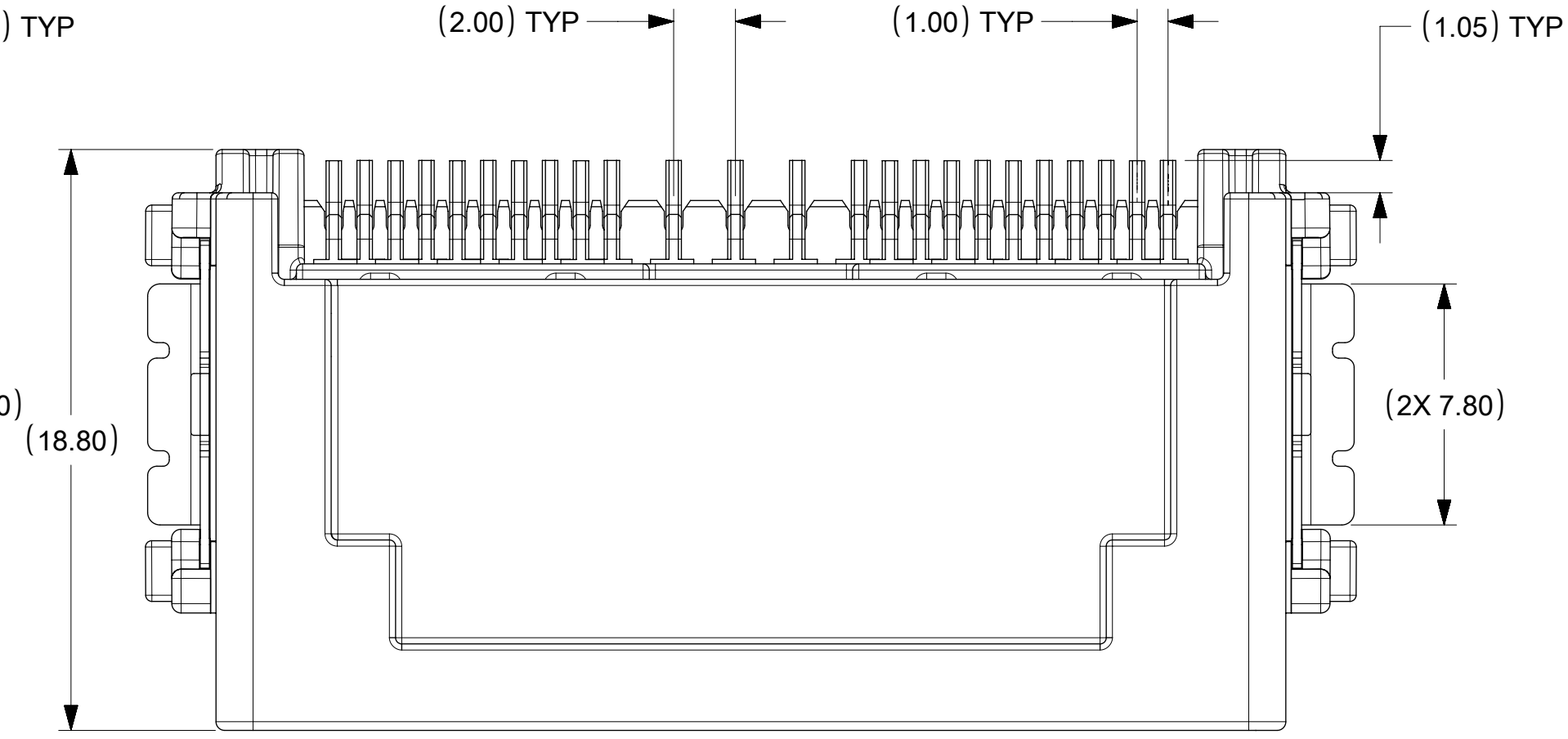
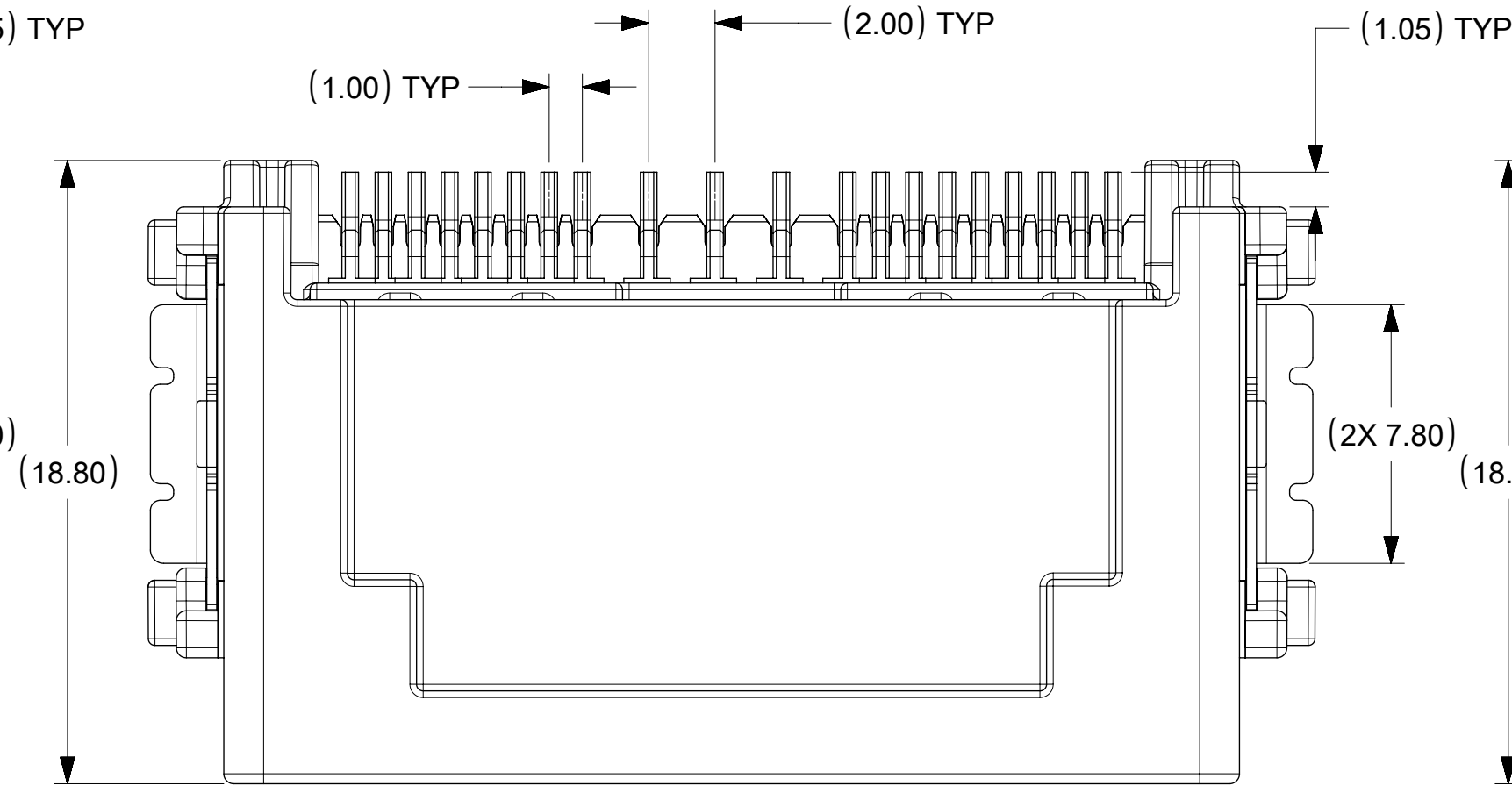
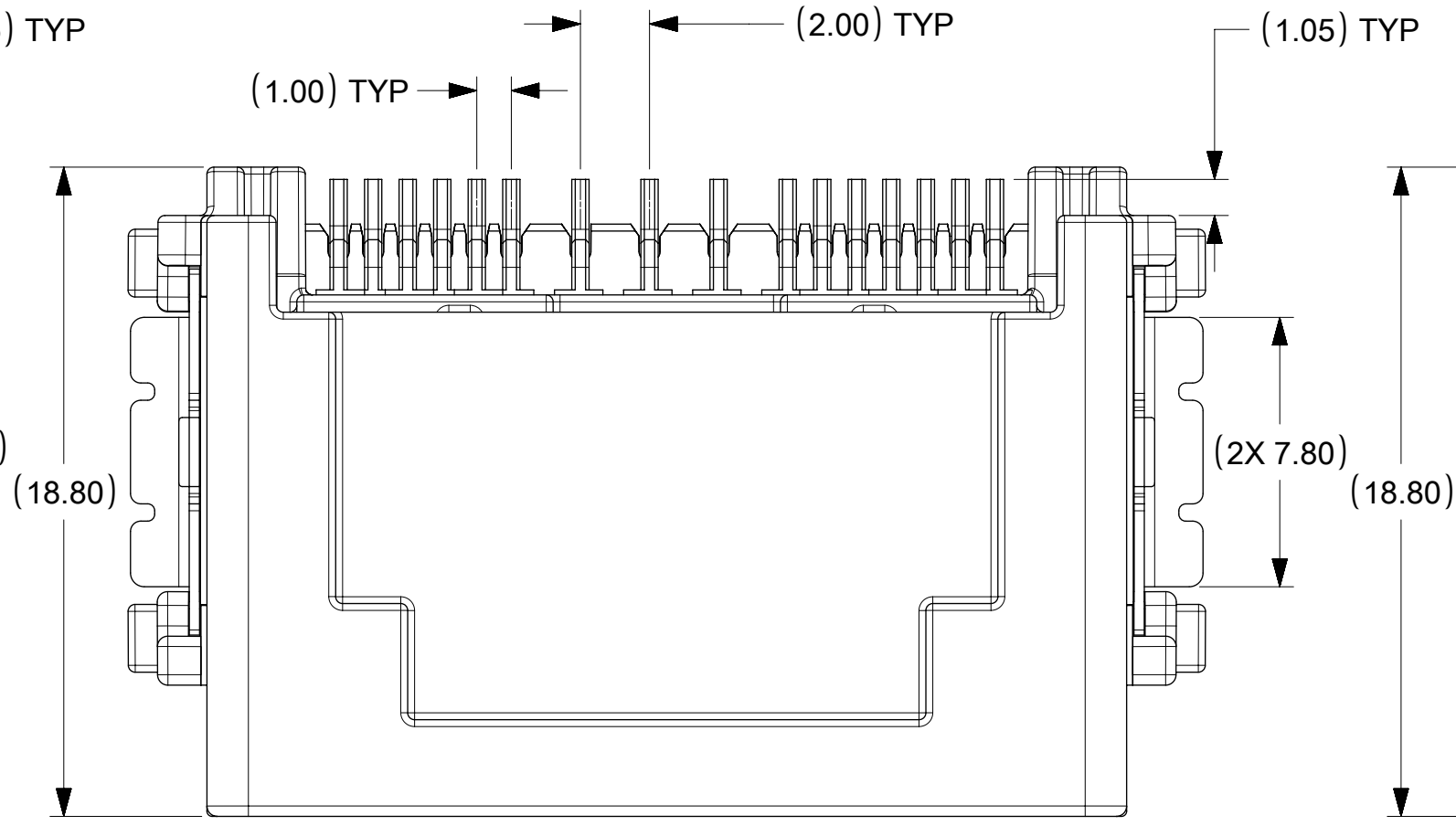
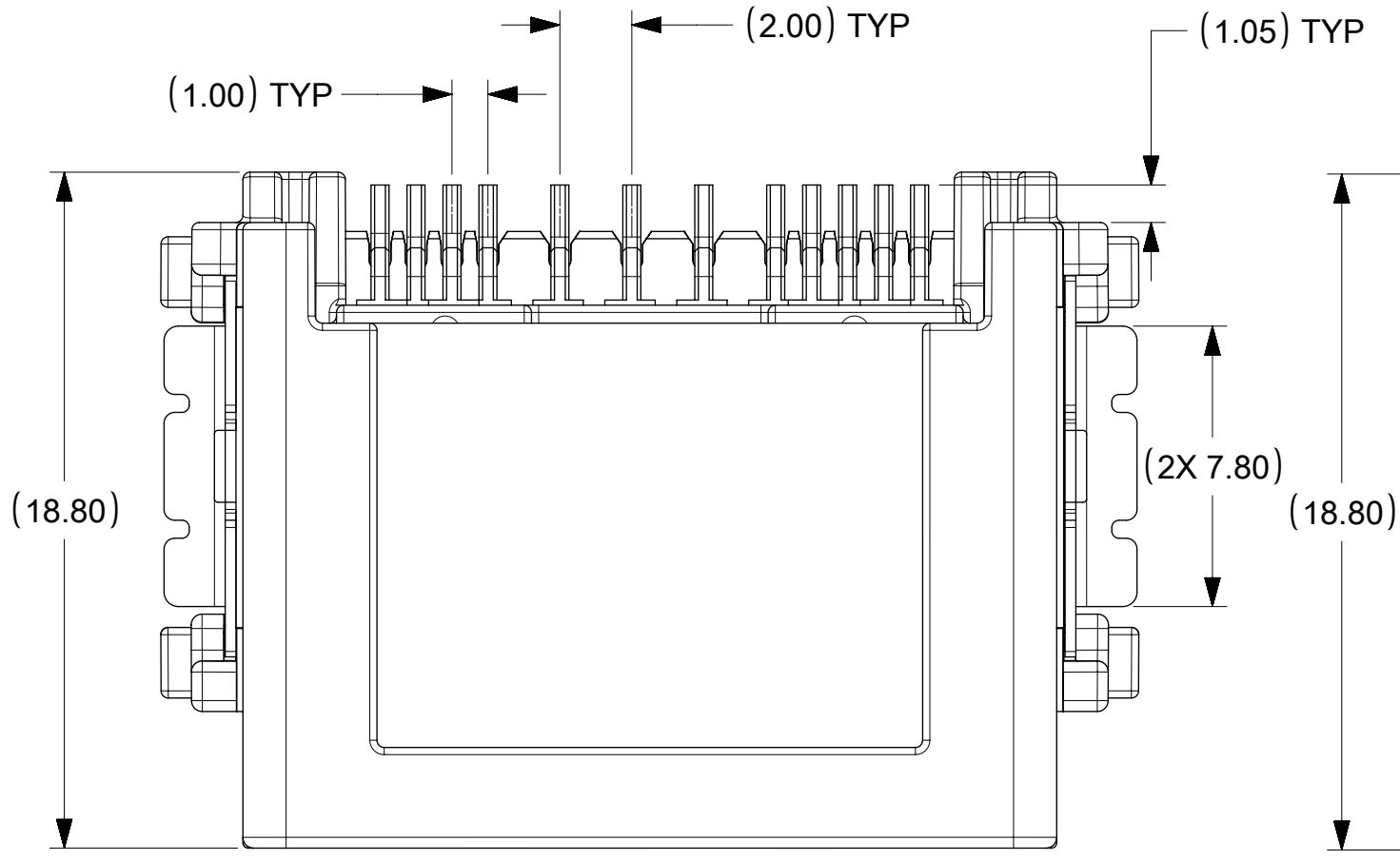
RELEASE STATUS	RELEASE DATE

12 CKT SMT USCAR HEADER

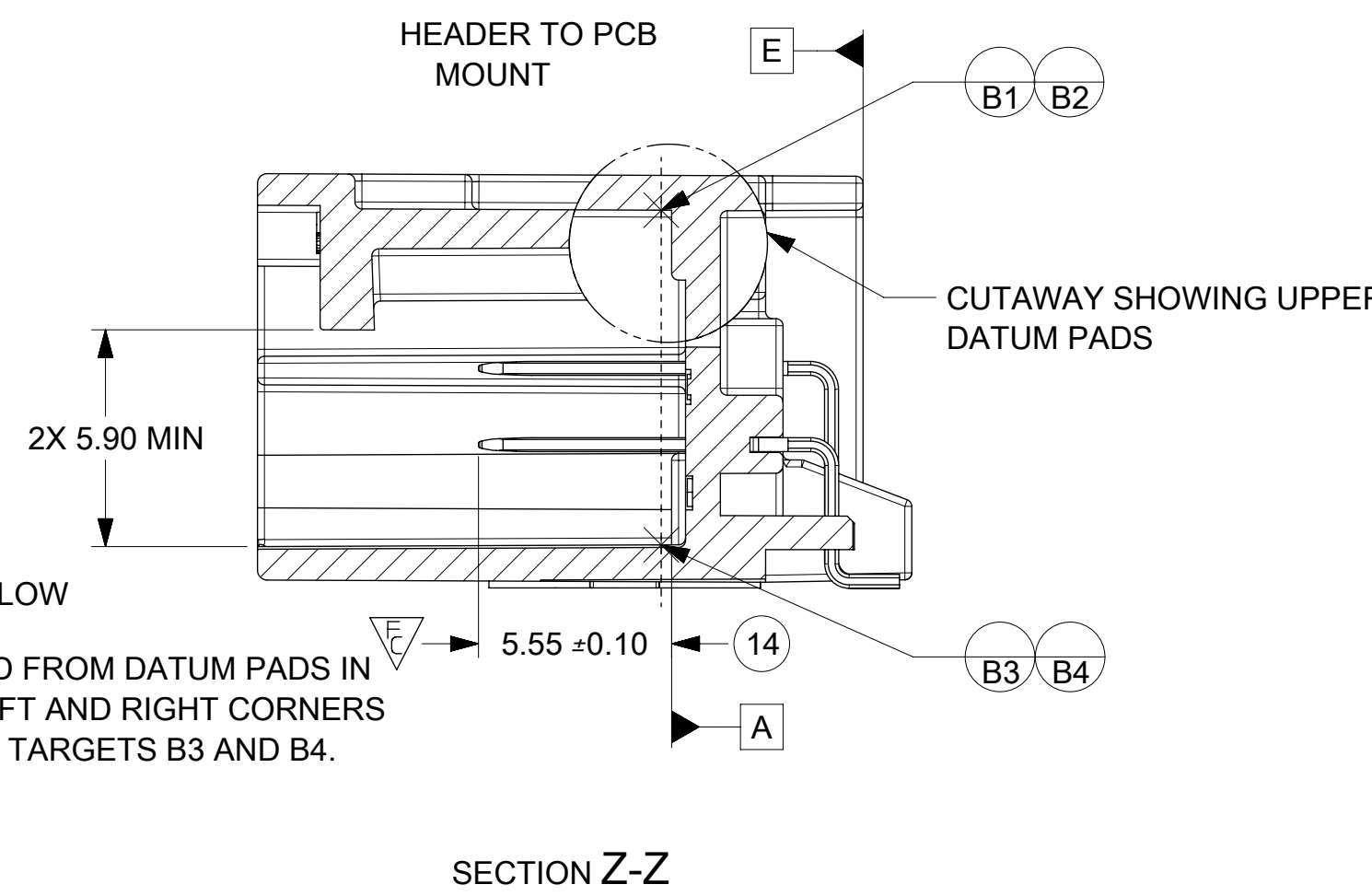
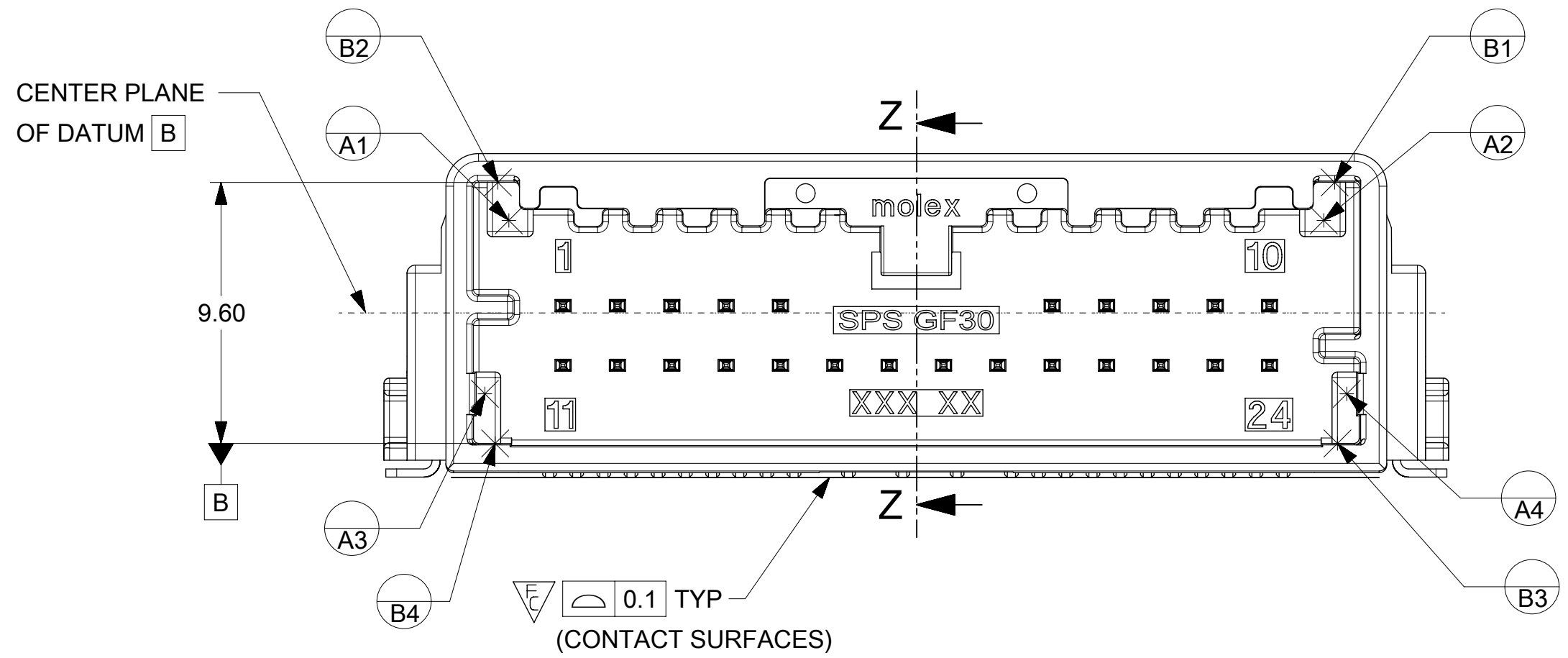
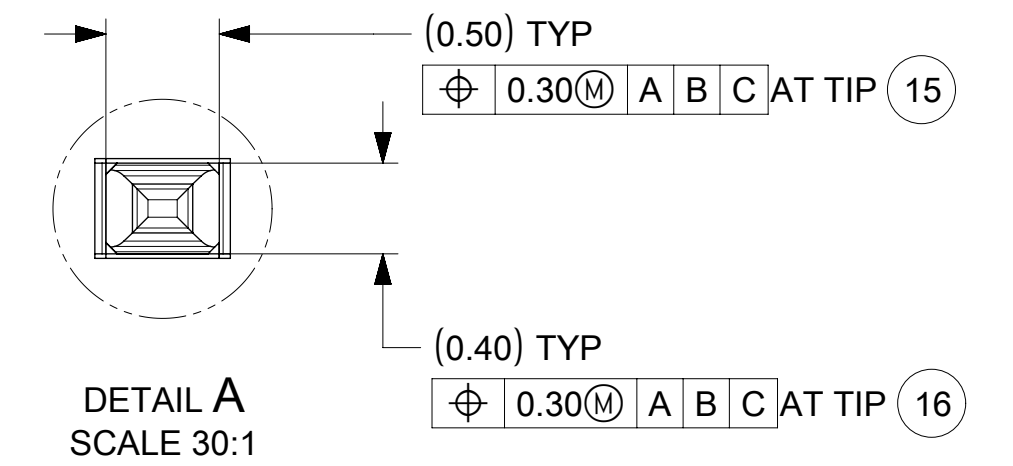
16 CKT SMT HEADER

20 CKT SMT HEADER

24 CKT SMT HEADER



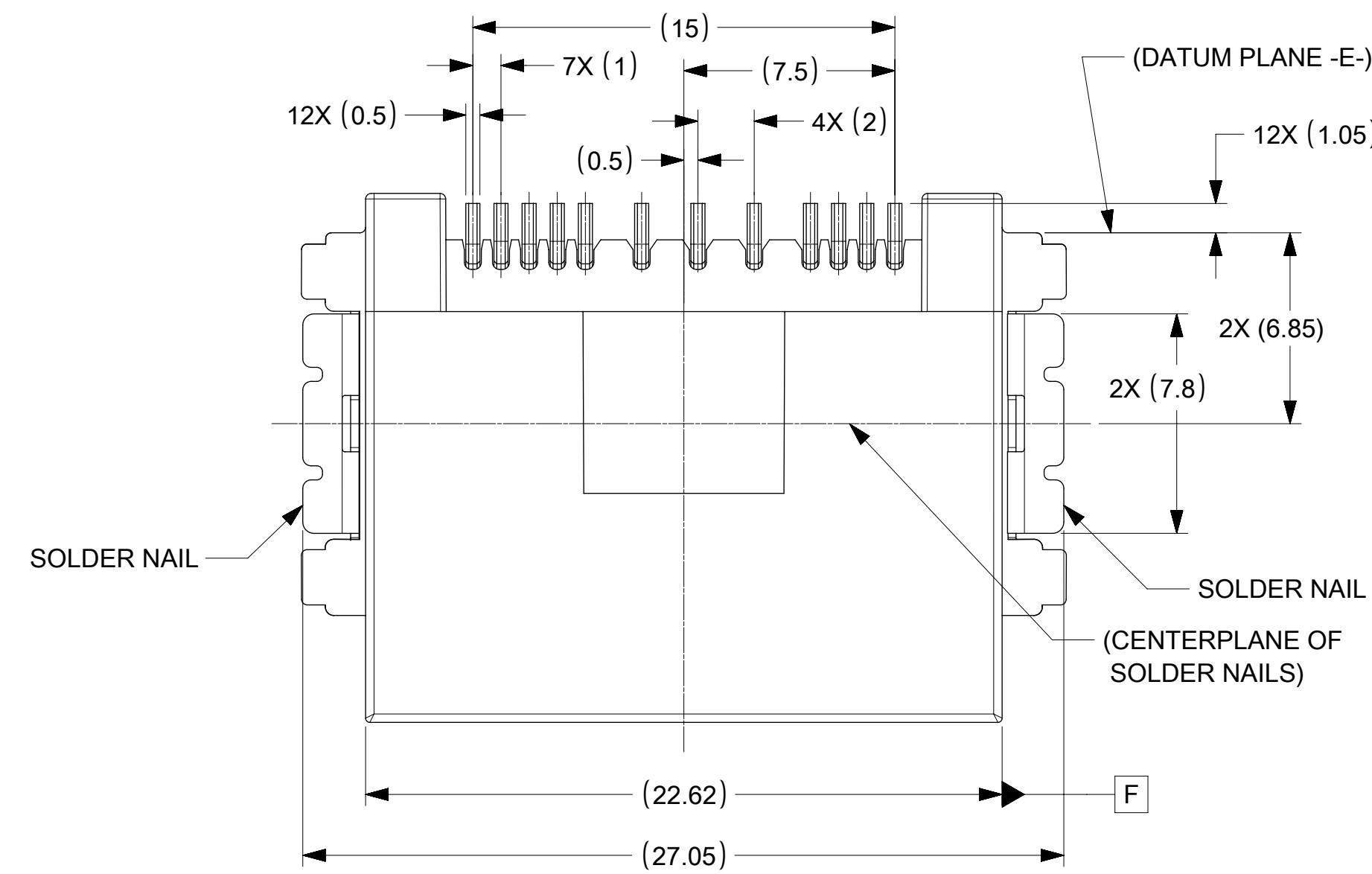
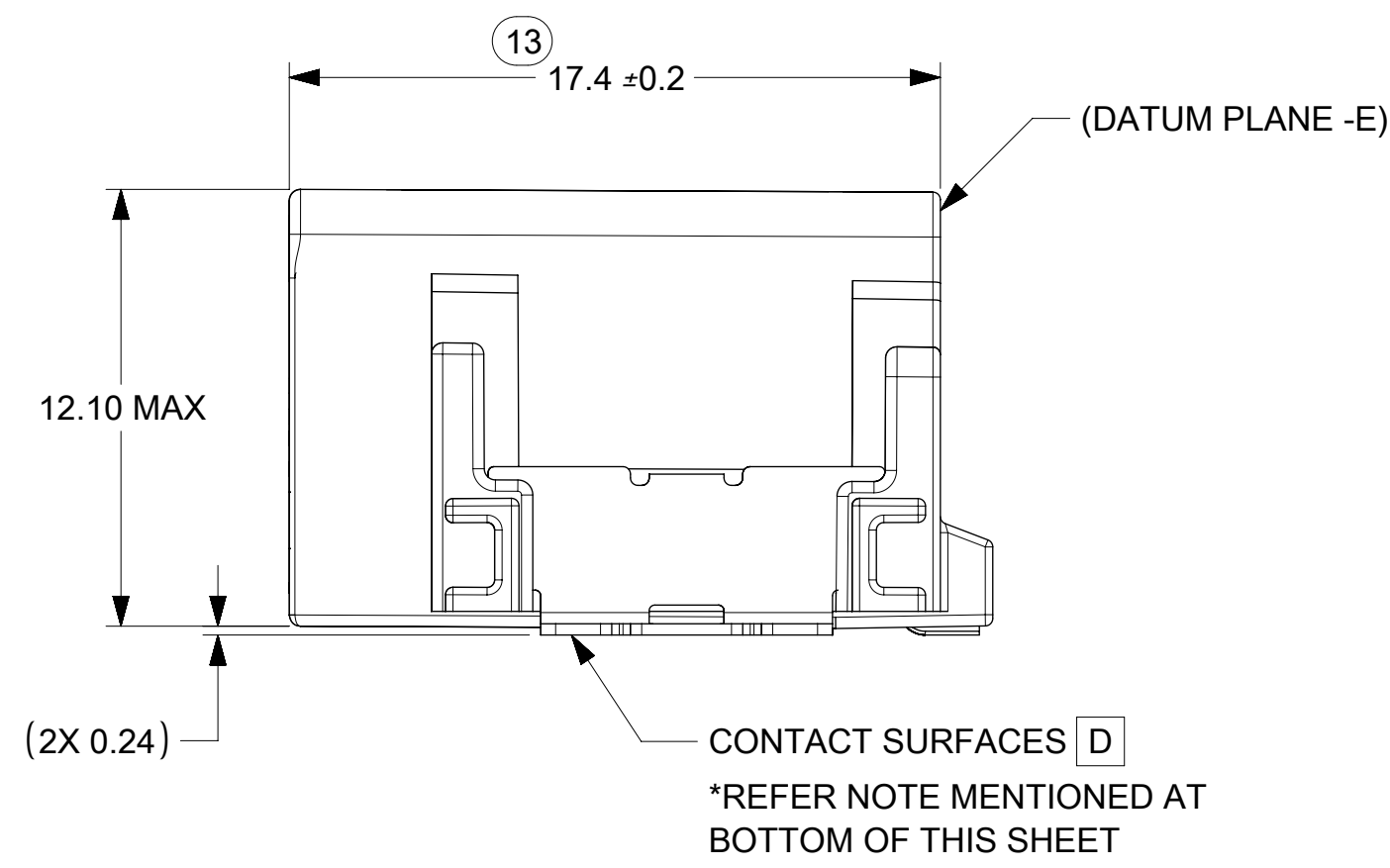
POST-REFLOW MINIMUM LATCH HEIGHT
24 CKT HEADER ASSEMBLY SHOWN AS EXAMPLE



*POST REFLOW
MINIMUM
MEASURED FROM DATUM PADS IN
LOWER LEFT AND RIGHT CORNERS
TO DATUM TARGETS B3 AND B4.

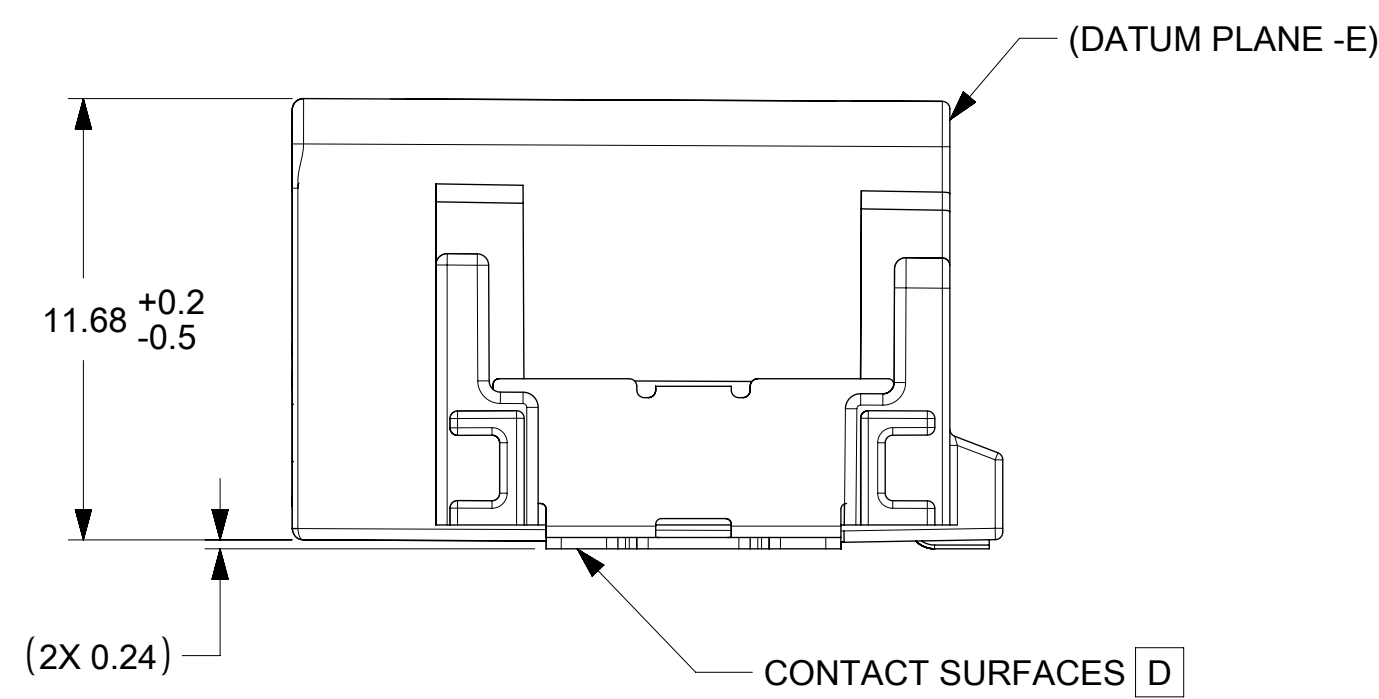
QUALITY SYMBOLS F = 0 F = 0 F = 0 F = 0 C = 0 C = 0 W6 W6	THIS DRAWING CONTAINS INFORMATION THAT IS PROPRIETARY TO MOLEX ELECTRONIC TECHNOLOGIES, LLC AND SHOULD NOT BE USED WITHOUT WRITTEN PERMISSION		DIMENSION UNITS MM ONLY	SCALE 5:1	
	EC NO: 614746 DRWN: KHEWITT CHKD: JDUNAJ REV APPR: JDUNAJ	2018/04/05 2019/03/29 2019/03/29	GENERAL TOLERANCES (UNLESS SPECIFIED) ANGULAR TOL ± 1.0 ° 4 PLACES ± 3 PLACES ± 2 PLACES ± 0.1 1 PLACE ± 0.2 0 PLACES ± DRAFT WHERE APPLICABLE MUST REMAIN WITHIN DIMENSIONS	DRWN BY TMACHUGA	
			APPR BY SMARCEAU	DATE 2011/12/19	PRODUCT CUSTOMER DRAWING
			DRAWING SIZE D	THIRD ANGLE PROJECTION	SERIES 34897
					MATERIAL NUMBER SEE CHART
					CUSTOMER GENERAL MARKET
					DOCUMENT NUMBER SD-34897-001
					DOC TYPE PSD
					DOC PART 000
					SHEET NUMBER 2 OF 5

**BEFORE REFLOW SOLDERING
TEMPERATURE EXPOSURE**



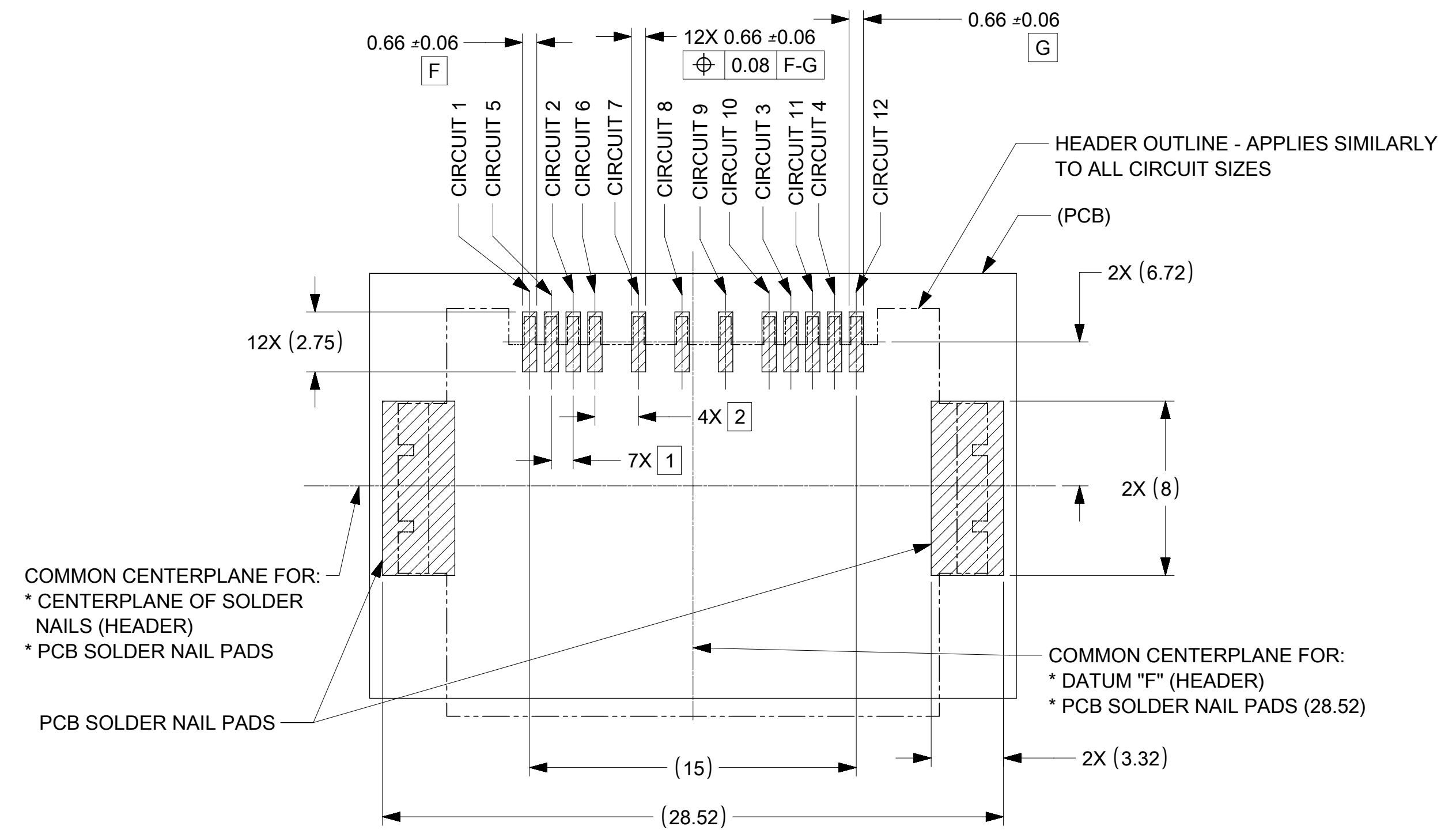
**12 CKT SMT USCAR HEADER (BOTTOM VIEW)
(OTHER CIRCUIT SIZES ARE SIMILAR)**

**AFTER REFLOW SOLDERING
TEMPERATURE EXPOSURE**



NOTE:
CONTACTS PER CKT:
12 CKT - 14 CONTACTS
16 CKT - 18 CONTACTS
20 CKT - 22 CONTACTS
24 CKT - 26 CONTACTS

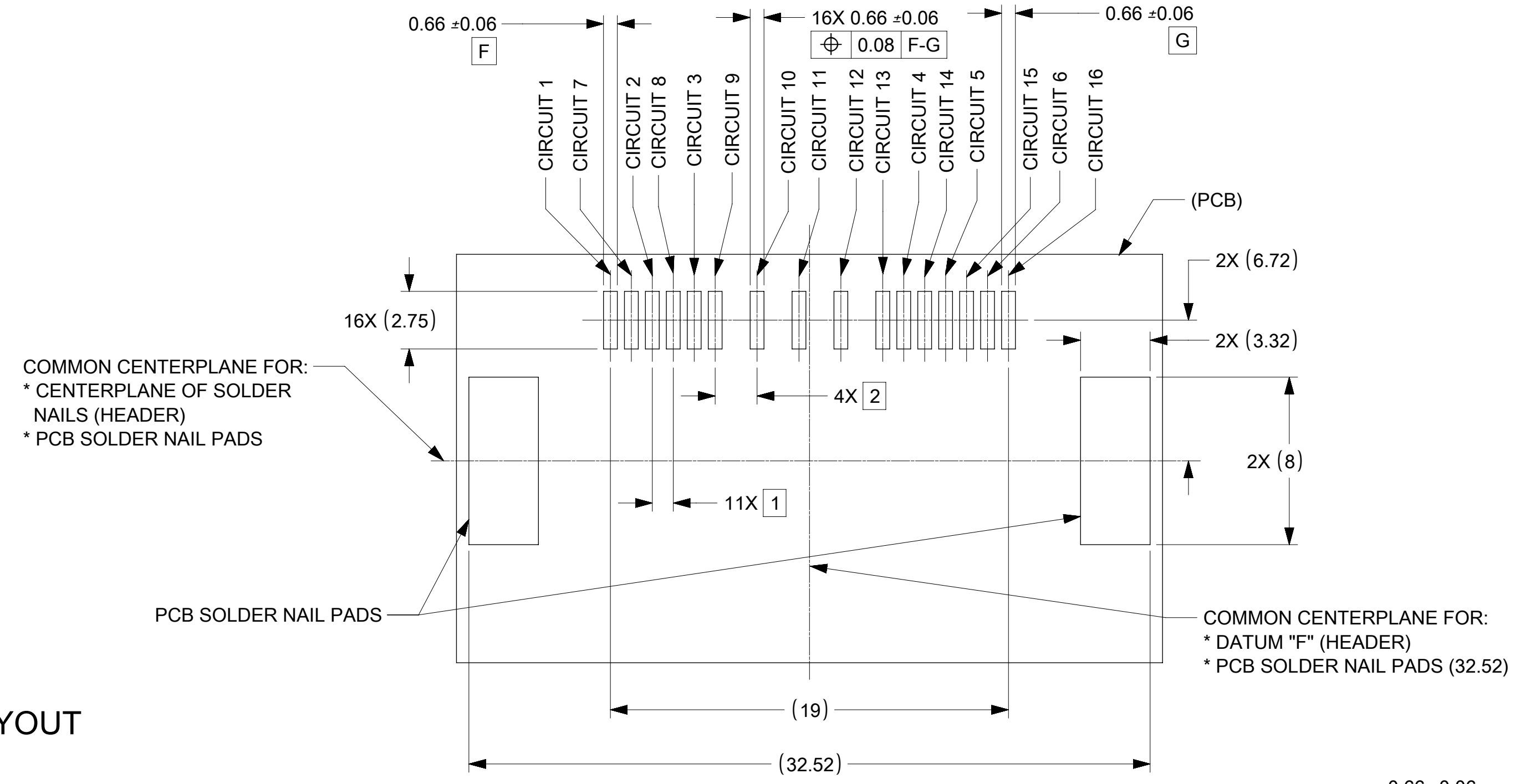
RECOMMENDED PCB LAYOUT:



12 CKT PCB LAYOUT

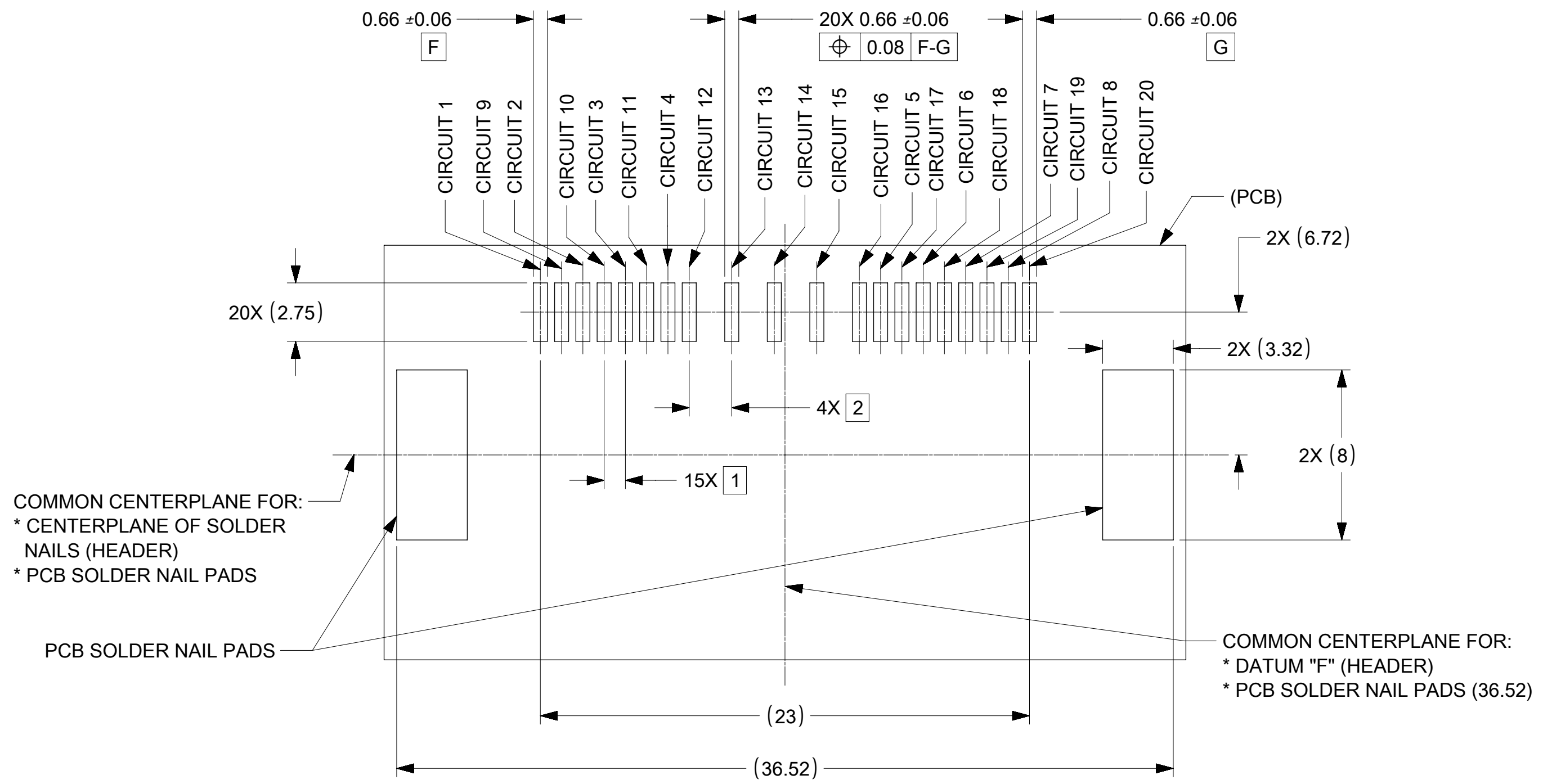
QUALITY SYMBOLS □ = 0 ▽ = 0 ▽ = 0 ▽ = 0 ▽ = 0 ▽ = 0 ▽ = 0 ▽ = 0 ▽ = 0 ▽ = 0	THIS DRAWING CONTAINS INFORMATION THAT IS PROPRIETARY TO MOLEX ELECTRONIC TECHNOLOGIES, LLC AND SHOULD NOT BE USED WITHOUT WRITTEN PERMISSION									
	2018/04/05	GENERAL TOLERANCES (UNLESS SPECIFIED)		DIMENSION UNITS	SCALE					
	2019/03/29	ANGULAR TOL ± 1.0 °		MM ONLY	5:1					
	2019/03/29	4 PLACES ±	TMACHUGA	DATE	MINI 50 DUAL ROW SMT HEADER ASSEMBLY SALES DRAWING					
		3 PLACES ±	CHKD BY	DATE						
		2 PLACES ± 0.1	APPR BY	DATE	PRODUCT CUSTOMER DRAWING					
		1 PLACE ± 0.2	SMARCEAU	2011/12/19						
		0 PLACES ±	DRAWING SIZE	THIRD ANGLE PROJECTION	SERIES	MATERIAL NUMBER	CUSTOMER			
		DRAFT WHERE APPLICABLE MUST REMAIN WITHIN DIMENSIONS	D	⊕	34897	SEE CHART	GENERAL MARKET			
					DOCUMENT NUMBER	DOC TYPE	DOC PART	SHEET NUMBER		
				SD-34897-001	PSD	000	3 OF 5			

16 CKT PCB LAYOUT

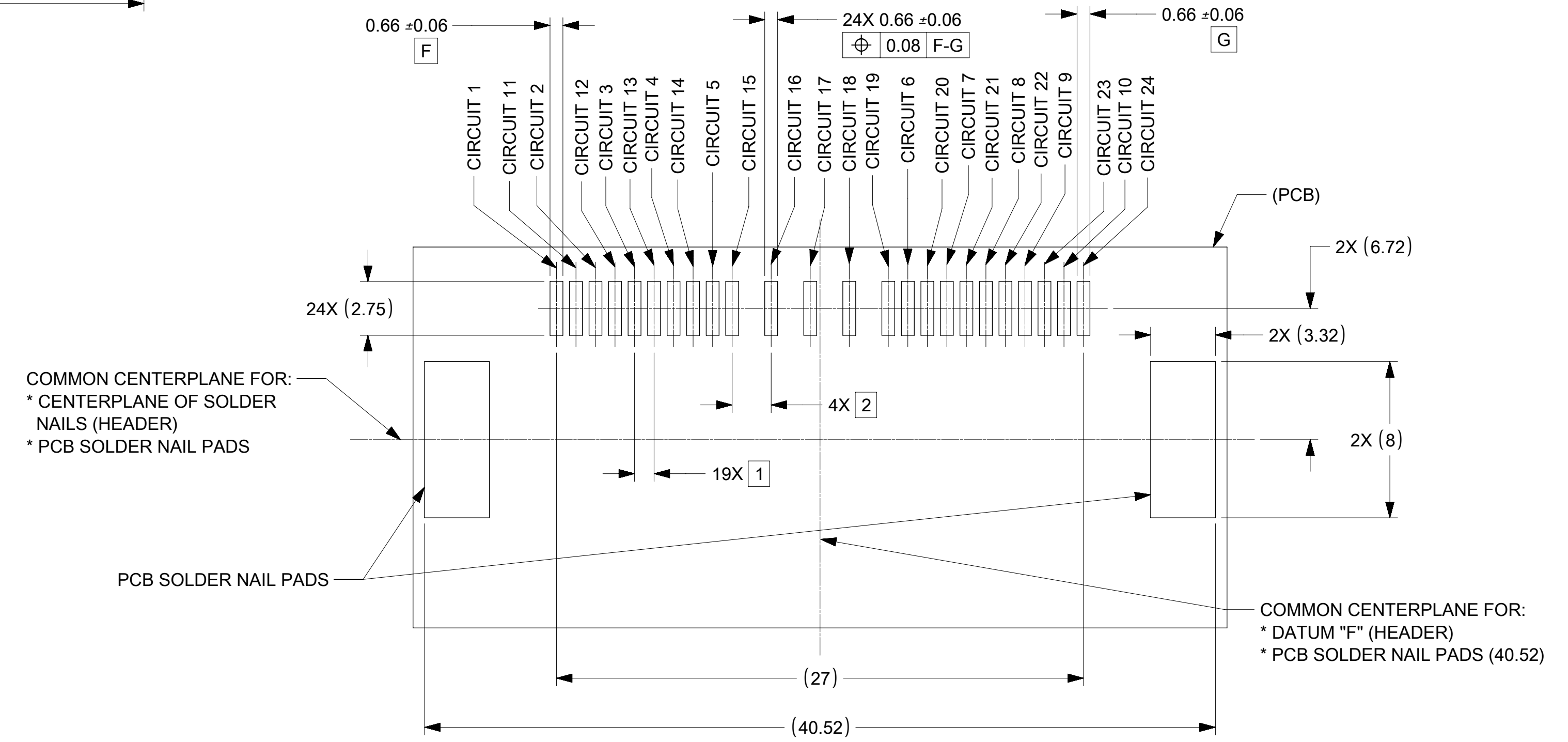


RECOMMENDED PCB LAYOUT:

20 CKT PCB LAYOUT



24 CKT PCB LAYOUT



QUALITY SYMBOLS □ = 0 ▽ = 0 ▽ = 0 ▽ = 0 ▽ = 0 ▽ = 0 ▽ = 0 ▽ = 0 ▽ = 0 ▽ = 0	THIS DRAWING CONTAINS INFORMATION THAT IS PROPRIETARY TO MOLEX ELECTRONIC TECHNOLOGIES, LLC AND SHOULD NOT BE USED WITHOUT WRITTEN PERMISSION				
	EC NO: 614746 DRWN: KHEWITT CHKD: JDUNAJ REV APPR: JDUNAJ	2018/04/05 2019/03/29 2019/03/29	GENERAL TOLERANCES (UNLESS SPECIFIED) ANGULAR TOL ± 1.0 ° 4 PLACES ± 3 PLACES ± 2 PLACES ± 0.1 1 PLACE ± 0.2 0 PLACES ± DRAFT WHERE APPLICABLE MUST REMAIN WITHIN DIMENSIONS	DIMENSION UNITS: MM ONLY SCALE: 5:1 DRWN BY: TMACHUGA DATE: 2011/11/23 CHKD BY: DATE APPR BY: SMARCEAU DATE: 2011/12/19 DRAWING SIZE: D THIRD ANGLE PROJECTION	molex MINI 50 DUAL ROW SMT HEADER ASSEMBLY SALES DRAWING PRODUCT CUSTOMER DRAWING SERIES: 34897 MATERIAL NUMBER: SEE CHART CUSTOMER: GENERAL MARKET DOCUMENT NUMBER: SD-34897-001 DOC TYPE: PSD DOC PART: 000 SHEET NUMBER: 4 OF 5
	RELEASE STATUS RELEASE DATE				
	W6				

MINI50 SMT DUAL ROW HEADER ASSEMBLIES

GOLD:

MATERIAL NUMBER		CONFIGURATION	CIRCUIT	POL	DEPOPULATED	VOIDED CKTS	COLOR	BLADE PLATING	MATING COMPONENT	
TUBE PACKAGING PK-31301-688	TAPE AND REEL PACKAGING PK-31301-786								UN-BRIDGED	BRIDGED
34897-5120	34897-6120	USCAR	12	A	NO	N/A	BLACK	GOLD	34824-0124	34824-1124
34897-5121	34897-6121	USCAR	12	B	NO	N/A	GRAY	GOLD	34824-0125	34824-1125
34897-5122	34897-6122	USCAR	12	C	NO	N/A	DARK GRAY	GOLD	34824-0126	34824-1126
34897-5160	34897-6160	USCAR	16	A	NO	N/A	BLACK	GOLD	34824-0164	34824-1164
34897-5161	34897-6161	USCAR	16	B	NO	N/A	GRAY	GOLD	34824-0165	34824-1165
34897-5162	34897-6162	USCAR	16	C	NO	N/A	DARK GRAY	GOLD	34824-0166	34824-1166
34897-5200	34897-6200	USCAR	20	A	NO	N/A	BLACK	GOLD	34824-0204	34824-1204
34897-5201	34897-6201	USCAR	20	B	NO	N/A	GRAY	GOLD	34824-0205	34824-1205
34897-5202	34897-6202	USCAR	20	C	NO	N/A	DARK GRAY	GOLD	34824-0206	34824-1206
34897-5240	34897-6240	USCAR	24	A	NO	N/A	BLACK	GOLD	34824-0244	34824-1244
34897-5241	34897-6241	USCAR	24	B	NO	N/A	GRAY	GOLD	34824-0245	34824-1245
34897-5242	34897-6242	USCAR	24	C	NO	N/A	DARK GRAY	GOLD	34824-0246	34824-1246

TIN:

MATERIAL NUMBER		CONFIGURATION	CIRCUIT	POL	COLOR	BLADE PLATING	MATING COMPONENT	
TUBE PACKAGING PK-31301-688	TAPE AND REEL PACKAGING PK-31301-786						UN-BRIDGED	BRIDGED
34897-9120	34897-8120	USCAR	12	A	BLACK	TIN	34824-0124	34824-1124
34897-9121	34897-8121	USCAR	12	B	GRAY	TIN	34824-0125	34824-1125
34897-9122	34897-8122	USCAR	12	C	DARK GRAY	TIN	34824-0126	34824-1126
34897-9160	34897-8160	USCAR	16	A	BLACK	TIN	34824-0164	34824-1164
34897-9161	34897-8161	USCAR	16	B	GRAY	TIN	34824-0165	34824-1165
34897-9162	34897-8162	USCAR	16	C	DARK GRAY	TIN	34824-0166	34824-1166
34897-9200	34897-8200	USCAR	20	A	BLACK	TIN	34824-0204	34824-1204
34897-9201	34897-8201	USCAR	20	B	GRAY	TIN	34824-0205	34824-1205
34897-9202	34897-8202	USCAR	20	C	DARK GRAY	TIN	34824-0206	34824-1206
34897-9240	34897-8240	USCAR	24	A	BLACK	TIN	34824-0244	34824-1244
34897-9241	34897-8241	USCAR	24	B	GRAY	TIN	34824-0245	34824-1245
34897-9242	34897-8242	USCAR	24	C	DARK GRAY	TIN	34824-0246	34824-1246

QUALITY SYMBOLS 	THIS DRAWING CONTAINS INFORMATION THAT IS PROPRIETARY TO MOLEX ELECTRONIC TECHNOLOGIES, LLC AND SHOULD NOT BE USED WITHOUT WRITTEN PERMISSION										
	EC NO: 614746 DRWN: KHEWITT CHKD: JDUNAJ REV APPR: JDUNAJ	GENERAL TOLERANCES (UNLESS SPECIFIED) ANGULAR TOL ± 1.0 °		DIMENSION UNITS	SCALE						
		4 PLACES ±		MM ONLY	1:1						
		3 PLACES ±		DRWN BY	DATE						
	2 PLACES ± 0.1		TMACHUGA 2011/11/23		MINI 50 DUAL ROW SMT HEADER ASSEMBLY SALES DRAWING						
	1 PLACE ± 0.2		CHKD BY		PRODUCT CUSTOMER DRAWING						
	0 PLACES ±		APPR BY		SERIES MATERIAL NUMBER CUSTOMER						
	DRAFT WHERE APPLICABLE MUST REMAIN WITHIN DIMENSIONS		SMARCEAU 2011/12/19		34897		SEE CHART		GENERAL MARKET		
			DRAWING SIZE		THIRD ANGLE PROJECTION		DOCUMENT NUMBER		DOC TYPE DOC PART SHEET NUMBER		
			D				SD-34897-001		PSD 000 5 OF 5		