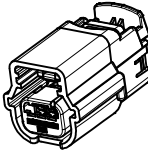
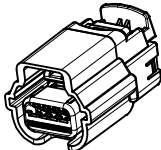


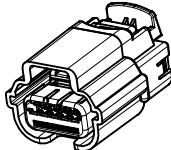
1X2



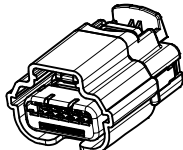
1X3



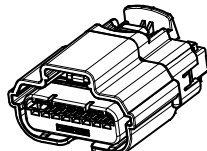
1X4



1X5



1X6



1X8

TABLE OF CONTENTS	
SHEET NO.	SHEET DESCRIPTION
1	NOTES AND BOM
2	CONNECTOR ASSEMBLY WITHOUT CLIPSLOT
3	CONNECTOR ASSEMBLY WITH CLIPSLOT
4-5	KEY CONFIGURATIONS
6-8	BOM

NOTES: VALID UNLESS OTHERWISE SPECIFIED

1. GENERAL:

- a. APPLICATION SPECIFICATION SEE: AS-31402-000
 - CONTAINS: SEE AS CONTENT
 - DESIGNED TO MATE WITH DEVICE OR CONNECTOR AS SPECIFIED IN THE MATING INTERFACE DRAWINGS CHART.
 - *DENOTES DRAWINGS THAT CAN BE ACCESSED AT <http://ewcap.uscarteams.org/>.
 - ASSEMBLY SHIPPED WITH PLR IN PRE-LOCK POSITION (SEE PLR PRE-LOCK VIEW ON SHEET 2 SECTION A-A).
- b. PRODUCT RELATED DRAWING REFER TO DRAWING INFORMATION CHART
- c. TPA'S MAY BECOME SEATED DURING TRANSIT, IF THIS OCCURS, TPA'S SHOULD BE MOVED TO THE PRE-LOCKED POSITION PRIOR TO FEMALE TERMINAL INSTALLATION. REFERENCE PRODUCT SPECIFICATION: PS-34646-001
- d. PARTS MUST BE IN COMPLIANCE TO MOLEX CHEMICAL SUBSTANCES FOR PRODUCTS AND PACKAGING SPECIFICATION: QEH5-699000-301
- e. DATA MUST BE SUBMITTED UNDER THE MOLEX PART NUMBER TO IMDS (COMPANY ID#13255)
- f. SYSTEM EXCEPT SERIES 31404 1X8 CIRCUIT TO BE USED WITH OUTSIDE WIRE DIAMETERS RANGING FROM 1.20MM TO 2.06MM WITHIN RANGE OF:
 - SAE 22 AWG TO 18 AWG PER ESB-MIL123-A2
 - ISO 0.35MM² TO 0.75MM² PER GMW15626 AND ES-AU5T-1A348-AA
- g. POLARIZATION FEATURE EFFECTIVENESS PER USCAR-2 PARAGRAPH 5.4.4 IS REDUCED WHEN TESTING ALL POLARIZATION OPTIONS: 100N MIN.
- h. SEE SHEET #3 FOR CONNECTOR ASSEMBLY WITH CLIPSLOT
- i. FOR CLIPSLOT CONNECTOR: CLIP OVERHANGS CONNECTOR, PLEASE CHECK APPLICATION (COULD CAUSE WIRE CHAFING)-SHORTER CLIP IS A RECOMMENDATION.

2. DESIGN - GEOMETRY:

- a. THE 3-D CAD DATA IS BASIC (WITHOUT TOLERANCE) AND MASTER FOR THIS PART WITH THE EXCEPTION OF UNDERLINED DIMENSIONS. DIMENSIONAL INFORMATION NOT SHOWN ON THIS DRAWING IS DEFINED BY THE DATA FILE AT ITS LATEST REVISION.
- b. GEOMETRIC DIMENSIONS AND TOLERANCES PER ASME Y14.5M-2009
- c. EDGES AND UNDIMENSIONED DETAILS PER ISO13715
- d. CORNERS SHOWN AS SHARP TO BE R 0.2 MAX.
- e. LETTERING SHALL BE 0.15 MAX RAISED IN 0.25 MAX RECESS PAD. THIS INCLUDES RECYCLING CODE, CAVITY ID, VENDOR IDENTIFICATION, AND CUSTOMER MATERIAL NUMBER.
- f. VISUAL DEFECTS SHALL MEET COSMETIC STANDARD PS-45499-002 (Class B).
- g. DATE CODE: FIRST TWO DIGITS ARE THE CALENDAR YEAR (EXAMPLE: 04 = 2004). THIRD THROUGH 5TH DIGIT DAY # OF THE CALENDAR YEAR (EXAMPLE: FEB. 3RD = '034').

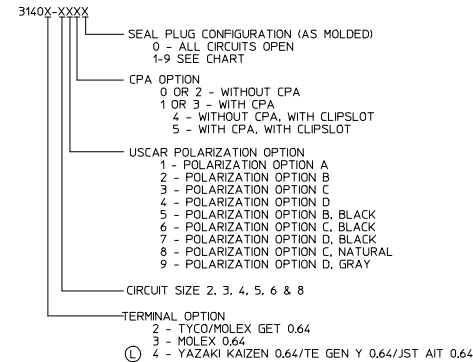
DRAWING INFORMATION

DESCRIPTION	DRAWING NO.
PRODUCT SPECIFICATION	PS-31402-000 FOR 31404 1X8 REFER TO PS-31404-001-1X8
PACKAGING	PK-31300-256
SALES DRAWING	SD-31402-211 FOR 31404 1X8 REFER TO SD-31404-811
TEST SUMMARY	FOR 1X2 REFER TO TS-31402-001-1X2
	FOR 1X3 REFER TO TS-31402-001-1X3
	FOR 1X6 REFER TO TS-31402-001-1X6
	FOR 31404 1X8 REFER TO TS-31404-001-1X8

MATING INTERFACE DRAWING

DESCRIPTION	INTERFACE DEFINITION
1X2	*064-S-002-1-Z02
1X3	*064-S-003-1-Z01
1X4	*064-S-004-1-Z02
1X5	*064-S-005-1-Z02
1X6	*064-S-006-1-Z02
1X8	*064-S-008-1-Z02

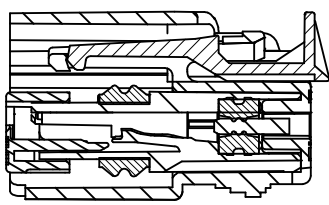
PART NUMBER LEGEND
CONNECTOR ASSEMBLY



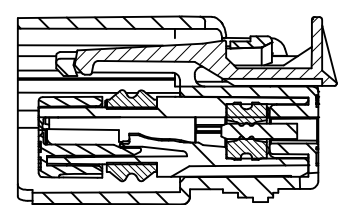
S	ADD P/N: 31402-6131, 31402-6121
R	ADD P/N: 31404-3112, 31404-3102
P	ADD P/N: 31403-3132; 31403-3122
M	ADD P/N: 31402-6118, 31402-6108
L	1. REDRAW SALES DRAWING 2. UPDATE TERMINAL INFORMATION FOR 31404 SERIES 3. ADD P/N: 31403-6212; 31403-6202
REV	REV DESCRIPTION

ADD NEW P/N EC NO: UAU2017-0615 DRAWN BY: CHKD CHKD: APPR: IDEN602 2017/01/19 2017/01/23	QUALITY SYMBOLS ∇=0 ∇=0 ∇=0	GENERAL TOLERANCES (UNLESS SPECIFIED): mm INCH 4 PLACES ± --- ± --- 3 PLACES ± --- ± --- 2 PLACES ± 0.13 ± --- 1 PLACE ± 0.3 ± --- 0 PLACE ± ±	DIMENSION STYLE MM ONLY DRAWN BY: R CARLSON DATE: 2003/09/25 CHECKED BY: R CARLSON DATE: 2004/09/28 APPROVED BY: VKOSHY DATE: 2010/11/22	SCALE: 4:1 DESIGN UNITS: METRIC THIRD ANGLE PROJECTION	TITLE 0.64 USCAR CONNECTOR SEALED SINGLE ROW ASSEMBLY molex MATERIAL NO. SEE CHART DOCUMENT NO. SD-31402-211 THIS DRAWING CONTAINS INFORMATION THAT IS PROPRIETARY TO MOLEX	SHEET NO. 1 OF 8
		ANGULAR ± 3 ° DRAFT WHERE APPLICABLE MUST REMAIN WITHIN DIMENSIONS	SIZE D			

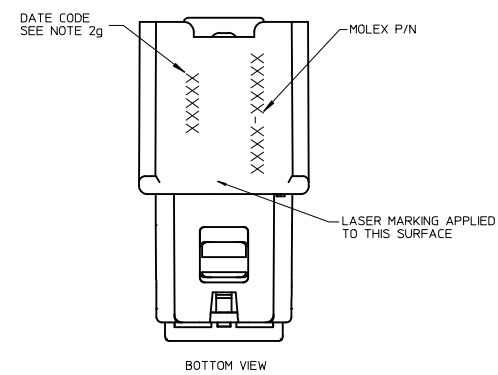
CONNECTOR ASSEMBLY WITHOUT CLIPSLOT



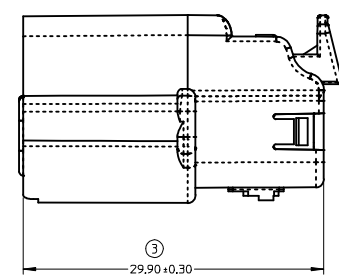
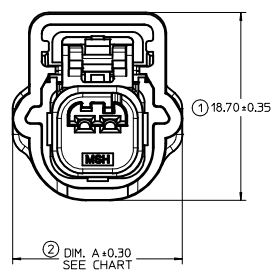
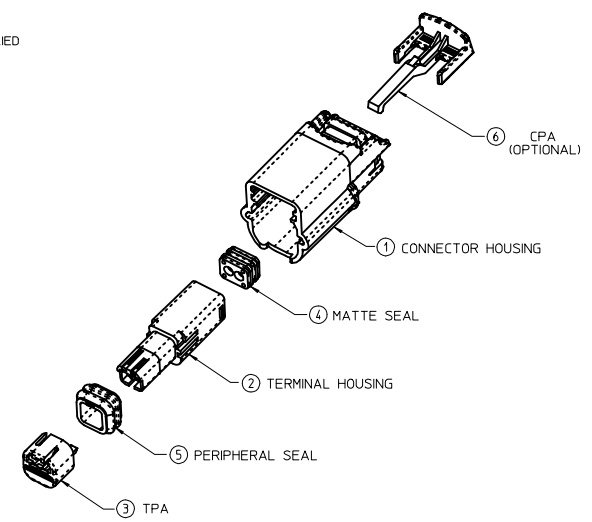
SECTION A-A
TPA SHOWN IN AS-SHIPED
PRE-LOCKED POSITION
SEE NOTE 1c



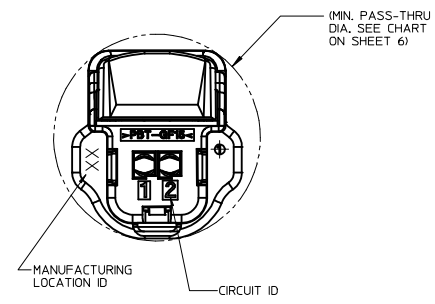
SECTION A-A
TPA SHOWN IN FINAL
LOCKED POSITION



BOTTOM VIEW



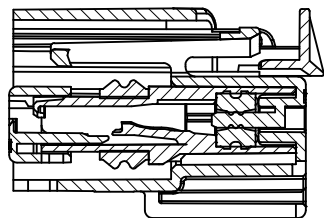
RIGHT SIDE VIEW



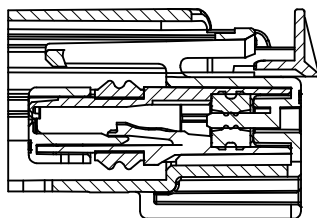
BACK VIEW

ITEM	DESCRIPTION	COLOR	MATERIAL
1	CONNECTOR HOUSING	SEE CHART	PBT GF15
2	TERMINAL HOUSING	BLACK	SPS/PA66 GF30
3	TPA	NATURAL	SPS/PA66 GF20
4	MATTE SEAL	SEE CHART	SILICONE RUBBER
5	PERIPHERAL SEAL	SEE CHART	SILICONE RUBBER
6	CPA - OPTIONAL	RED	PBT GF30

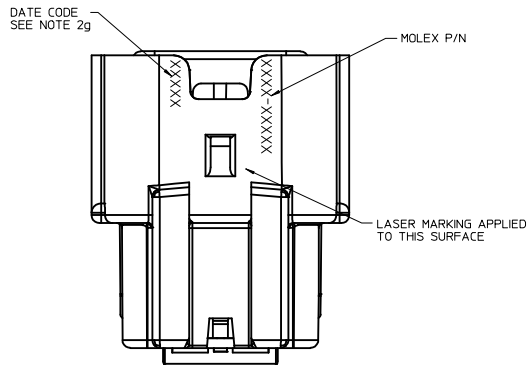
ADD NEW P/N EC NO: UAU2017-0615 DRAWN BY: 51 CHKD: APPR: IDEN02 2017/01/19 2017/01/23	QUALITY SYMBOLS ▽=0 ▽=0 ▽=0	GENERAL TOLERANCES (UNLESS SPECIFIED) mm INCH 4 PLACES ± --- ± --- 3 PLACES ± --- ± --- 2 PLACES ± 0.13 ± --- 1 PLACE ± 0.3 ± --- 0 PLACE ± ±	DIMENSION STYLE MM ONLY	SCALE 4:1	DESIGN UNITS METRIC	THIRD ANGLE PROJECTION
	DRAWN BY: RCARLSON CHECKED BY: RCARLSON APPROVED BY: VKOSHY	DATE: 2003/09/25 DATE: 2004/09/28 DATE: 2010/11/22	MATERIAL NO. SEE CHART	DOCUMENT NO. SD-31402-211	SHEET NO. 2 OF 8	
	TITLE 0.64 USCAR CONNECTOR SEALED SINGLE ROW ASSEMBLY					
	THIS DRAWING CONTAINS INFORMATION THAT IS PROPRIETARY TO MOLEX INCORPORATED AND SHOULD NOT BE USED WITHOUT WRITTEN PERMISSION					



SECTION C-C
TPA SHOWN IN AS-SHIPPED
PRE-LOCKED POSITION
SEE NOTE 1c

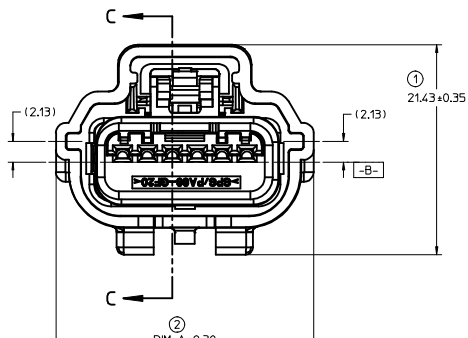
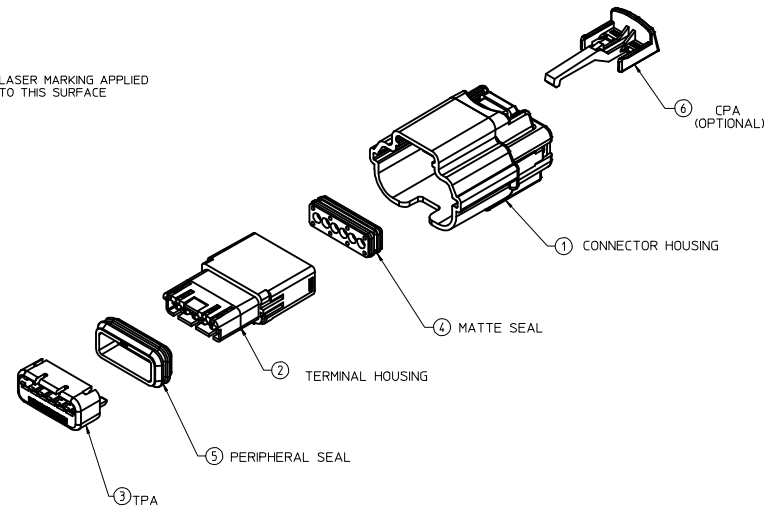


SECTION C-C
TPA SHOWN IN FINAL
LOCKED POSITION

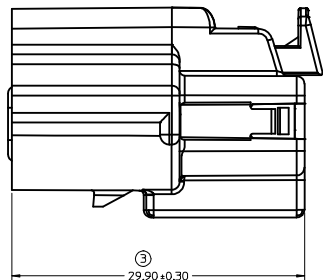


BOTTOM VIEW

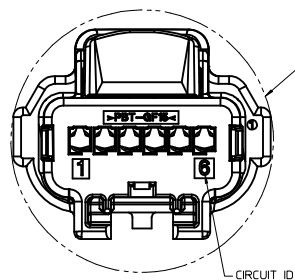
CONNECTOR ASSEMBLY WITH CLIPSLOT



FRONT VIEW
DIM A ± 0.30
SEE CHART
POLARIZATION A



RIGHT SIDE VIEW

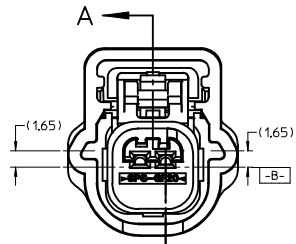


BACK VIEW

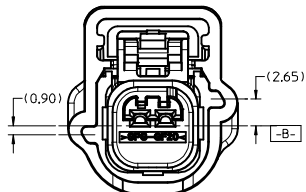
ITEM	DESCRIPTION	COLOR	MATERIAL
1	CONNECTOR HOUSING	SEE CHART	PBT GF15
2	TERMINAL HOUSING	BLACK	SPS/PA66 GF30
3	TPA	NATURAL	SPS/PA66 GF20
4	MATTE SEAL	SEE CHART	SILICONE RUBBER
5	PERIPHERAL SEAL	SEE CHART	SILICONE RUBBER
6	CPA - OPTIONAL	RED	PBT GF30

ADD NEW P/N EC NO: UAU2017-0615 DRAWN BY: 2017/01/19 CHKD: 2017/01/19 APPR: JENGG02 2017/01/23 REV DESCRIPTION	QUALITY SYMBOLS ∇=0 ∇=0 ∇=0	GENERAL TOLERANCES (UNLESS SPECIFIED) mm INCH 4 PLACES ± --- ± --- 3 PLACES ± 0.13 ± --- 2 PLACES ± 0.3 ± --- 1 PLACE ± 0.3 ± --- 0 PLACE ± ±	DIMENSION STYLE MM ONLY DRAWN BY: DATE RCARLSON 2003/09/25 CHECKED BY: DATE RCARLSON 2004/09/28 APPROVED BY: DATE VKOSHY 2010/11/22	SCALE 4:1 DESIGN UNITS METRIC THIRD ANGLE PROJECTION	TITLE 0.64 USCAR CONNECTOR SEALED SINGLE ROW ASSEMBLY molex	MATERIAL NO. SEE CHART DRAFT WHERE APPLICABLE MUST REMAIN WITHIN DIMENSIONS	DOCUMENT NO. SD-31402-211	SHEET NO. 3 OF 8
	THIS DRAWING CONTAINS INFORMATION THAT IS PROPRIETARY TO MOLEX INCORPORATED AND SHOULD NOT BE USED WITHOUT WRITTEN PERMISSION							
	SIZE D							
	ADDITIONAL INFORMATION							

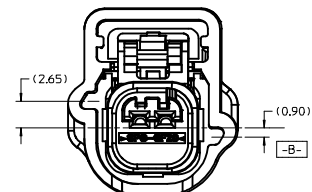
1X2



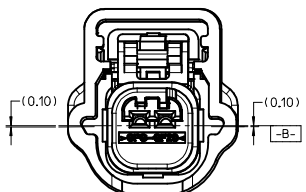
FRONT VIEW
POLARIZATION A



POLARIZATION B

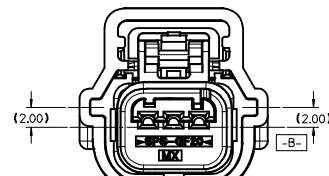


POLARIZATION C

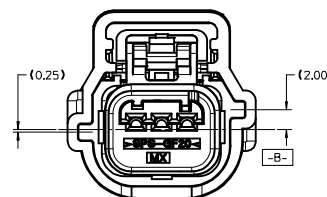


POLARIZATION D

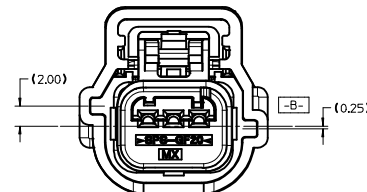
1X3



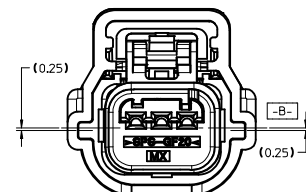
POLARIZATION A



POLARIZATION B

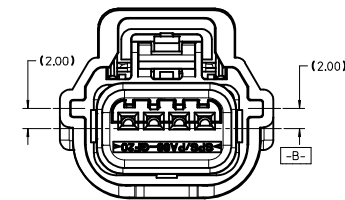


POLARIZATION C



POLARIZATION D

1X4



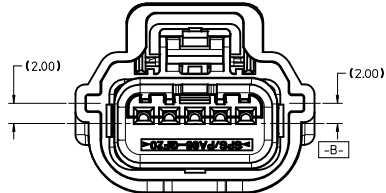
POLARIZATION A

KEY CONFIGURATIONS

ADD NEW P/N EC NO: UAU2017-0615 DRAWN BY: CHYK APPR: JENGOZ 2017/01/19 2017/01/23	QUALITY SYMBOLS ▽=0 ▽=1 ▽=2 ▽=3	GENERAL TOLERANCES (UNLESS SPECIFIED) <table border="1"> <tr> <th></th> <th>mm</th> <th>INCH</th> </tr> <tr> <td>4 PLACES</td> <td>± .13</td> <td>± .005</td> </tr> <tr> <td>3 PLACES</td> <td>± .15</td> <td>± .006</td> </tr> <tr> <td>2 PLACES</td> <td>± 0.13</td> <td>± .005</td> </tr> <tr> <td>1 PLACE</td> <td>± 0.3</td> <td>± .012</td> </tr> <tr> <td>0 PLACE</td> <td>±</td> <td>±</td> </tr> </table> ANGULAR ± 3° DRAFT WHERE APPLICABLE MUST REMAIN WITHIN DIMENSIONS		mm	INCH	4 PLACES	± .13	± .005	3 PLACES	± .15	± .006	2 PLACES	± 0.13	± .005	1 PLACE	± 0.3	± .012	0 PLACE	±	±	DIMENSION STYLE MM ONLY	SCALE 4:1	DESIGN UNITS METRIC	THIRD ANGLE PROJECTION
		mm	INCH																					
4 PLACES	± .13	± .005																						
3 PLACES	± .15	± .006																						
2 PLACES	± 0.13	± .005																						
1 PLACE	± 0.3	± .012																						
0 PLACE	±	±																						
DRAWN BY: RCARLSON CHECKED BY: RCARLSON APPROVED BY: VKOSHY DATE: 2003/09/25 DATE: 2004/09/28 DATE: 2010/11/22	TITLE 0.64 USCAR CONNECTOR SEALED SINGLE ROW ASSEMBLY	MATERIAL NO. SEE CHART	DOCUMENT NO. SD-31402-211	SHEET NO. 4 OF 8																				

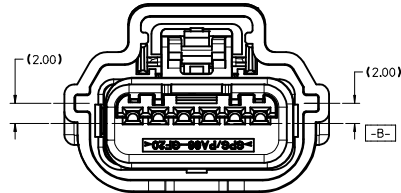
THIS DRAWING CONTAINS INFORMATION THAT IS PROPRIETARY TO MOLEX INCORPORATED AND SHOULD NOT BE USED WITHOUT WRITTEN PERMISSION

1X5

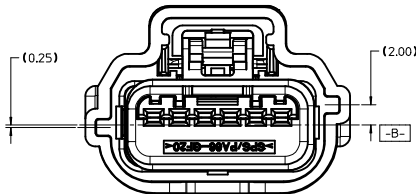


POLARIZATION A

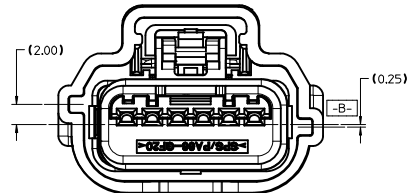
1X6



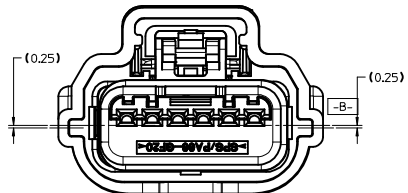
POLARIZATION A



POLARIZATION B

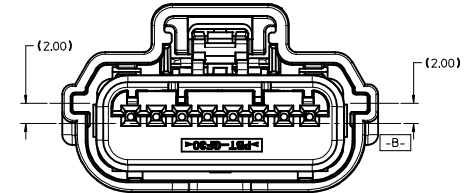


POLARIZATION C

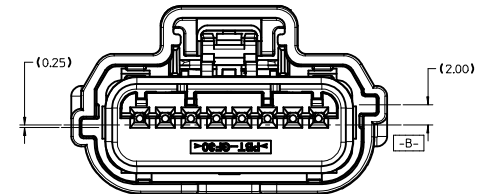


POLARIZATION D

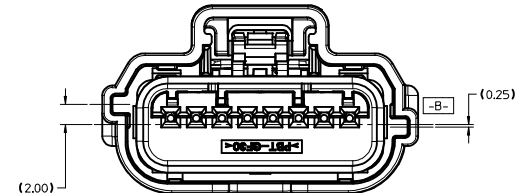
1X8



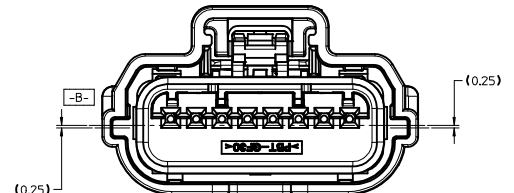
POLARIZATION A



POLARIZATION B



POLARIZATION C



POLARIZATION D

KEY CONFIGURATIONS

ADD NEW P/N EC NO: UAU2017-0615 DRAWN BY: 2017/01/19 CHKD: APPR: JDENG02 APPR: JDENG02 2017/01/23	QUALITY SYMBOLS ▽=0 ▽=0 ▽=0	GENERAL TOLERANCES (UNLESS SPECIFIED)		DIMENSION STYLE MM ONLY	SCALE 4:1	DESIGN UNITS METRIC	<input checked="" type="checkbox"/> THIRD ANGLE PROJECTION
		4 PLACES ± --- ± --- 3 PLACES ± --- ± --- 2 PLACES ± 0.13 ± --- 1 PLACE ± 0.3 ± --- 0 PLACE ± ±	mm INCH mm INCH mm INCH mm INCH mm INCH	DRAWN BY: RCARLSON CHECKED BY: RCARLSON APPROVED BY: VKOSHY DATE: 2003/09/25 DATE: 2004/09/28 DATE: 2010/11/22	DATE: 2003/09/25 DATE: 2004/09/28 DATE: 2010/11/22	TITLE 0.64 USCAR CONNECTOR SEALED SINGLE ROW ASSEMBLY molex DOCUMENT NO. SD-31402-211	SHEET NO. 5 OF 8
DRAFT WHERE APPLICABLE MUST REMAIN WITHIN DIMENSIONS		SEE CHART		THIS DRAWING CONTAINS INFORMATION THAT IS PROPRIETARY TO MOLEX INCORPORATED AND SHOULD NOT BE USED WITHOUT WRITTEN PERMISSION			

PART NUMBER WITHOUT CPA	PART NUMBER WITH CPA	CLIPSLOT OPTION	ROW/ CIRCUITS	KEY*	MATTE SEAL COLOR	PERIMETER SEAL COLOR	CONNECTOR COLOR	WIDTH DIM (A)	MIN. PASS THRU DIA.	FEMALE TERMINAL SUPPLIER	USCAR FOOTPRINT DRAWING NO.	STATUS	
31402-2100	31402-2110	NO	1 X 2	A	ROYAL BLUE	BLUE	BLACK	16.88	(20.80)	TYCO OR MOLEX GET 0.64	064-S-002-1-Z02	TOOLED	
31402-2200	31402-2210			B			GRAY					TOOLED	
31402-2300	31402-2310			C			BROWN					TOOLED, COLOR UNAVAILABLE	
31402-2400	31402-2410			D			GREEN					TOOLED, COLOR UNAVAILABLE	
31402-2500	31402-2510			B			BLACK					TOOLED	
31402-2600	31402-2610			C			BLACK					TOOLED	
31402-2700	31402-2710			D			BLACK					TOOLED	
31403-2000	31403-2010			D			DK. GRAY					TOOLED	
31403-2100	31403-2110			A			BLACK					TOOLED	
31403-2200	31403-2210			B			GRAY					TOOLED	
31403-2300	31403-2310			C			BROWN					TOOLED, COLOR UNAVAILABLE	
31403-2400	31403-2410			D			GREEN					TOOLED, COLOR UNAVAILABLE	
31403-2500	31403-2510			D			BLACK					TOOLED	
31403-2600	31403-2610			C			BLACK					TOOLED	
31403-2700	31403-2710			D			BLACK					TOOLED	
31403-2800	31403-2810			C			NATURAL					TOOLED	
31403-2900	31403-2910			D			GRAY					TOOLED	
31404-2100	31404-2110			A			BLACK					NOT TOOLED	
31404-2200	31404-2210		B	GRAY	NOT TOOLED								
31404-2300	31404-2310		C	BROWN	NOT TOOLED								
31404-2400	31404-2410		D	GREEN	NOT TOOLED								
31404-2500	31404-2510		B	BLACK	NOT TOOLED								
31404-2600	31404-2610		C	BLACK	NOT TOOLED								
31404-2700	31404-2710		D	BLACK	NOT TOOLED								
31402-3100	31402-3110		NO	1 X 3	A	LIGHT BLUE	RUST RED	BLACK	18.70	(22.00)	TYCO OR MOLEX GET 0.64	064-S-003-1-Z01	TOOLED
31402-3200	31402-3210				B			GRAY					TOOLED
31402-3300	31402-3310				C			BROWN					TOOLED, COLOR UNAVAILABLE
31402-3400	31402-3410				D			GREEN					TOOLED, COLOR UNAVAILABLE
31402-3500	31402-3510				B			BLACK					TOOLED
31402-3600	31402-3610				C			BLACK					TOOLED
31402-3700	31402-3710				D			BLACK					TOOLED
31403-3000	31403-3010				D			DK. GRAY					TOOLED
31403-3100	31403-3110				A			BLACK					TOOLED
31403-3200	31403-3210				B			GRAY					TOOLED
31403-3300	31403-3310				C			BROWN					TOOLED, COLOR UNAVAILABLE
31403-3400	31403-3410				D			GREEN					TOOLED, COLOR UNAVAILABLE
31403-3500	31403-3510	B			BLACK			TOOLED					
31403-3600	31403-3610	C			BLACK			TOOLED					
31403-3700	31403-3710	D			BLACK			TOOLED					
31403-3800	31403-3810	C			NATURAL			TOOLED					
31404-3100	31404-3110	A			BLACK			TOOLED					
31404-3200	31404-3210	B			GRAY			TOOLED					
31404-3300	31404-3310	C		BROWN	TOOLED, COLOR UNAVAILABLE								
31404-3400	31404-3410	D		GREEN	TOOLED, COLOR UNAVAILABLE								
31404-3500	31404-3510	B		BLACK	TOOLED								
31404-3600	31404-3610	C		BLACK	TOOLED								
31404-3700	31404-3710	D		BLACK	TOOLED								
31402-4100	31402-4110	NO		1 X 4	A	TBD	TBD	BLACK	21.25	(22.34)	TYCO OR MOLEX GET 0.64	064-S-004-1-Z02	NOT TOOLED
31402-4200	31402-4210				B			GRAY					NOT TOOLED
31402-4300	31402-4310				C			BROWN					NOT TOOLED
31402-4400	31402-4410				D			GREEN					NOT TOOLED
31402-4500	31402-4510				B			BLACK					NOT TOOLED
31402-4600	31402-4610				C			BLACK					NOT TOOLED
31402-4700	31402-4710				D			BLACK					NOT TOOLED
31403-4100	31403-4110				A			BLACK					NOT TOOLED
31403-4200	31403-4210				B			GRAY					NOT TOOLED
31403-4300	31403-4310				C			BROWN					NOT TOOLED
31403-4400	31403-4410				D			GREEN					NOT TOOLED
31403-4500	31403-4510				B			BLACK					NOT TOOLED
31403-4600	31403-4610				C			BLACK					NOT TOOLED
31403-4700	31403-4710		D		BLACK			NOT TOOLED					
31404-4100	31404-4110		A		BLACK			NOT TOOLED					
31404-4200	31404-4210		B		GRAY			NOT TOOLED					
31404-4300	31404-4310		C		BROWN			NOT TOOLED					
31404-4400	31404-4410		D		GREEN			NOT TOOLED					
31404-4500	31404-4510		B	BLACK	NOT TOOLED								
31404-4600	31404-4610		C	BLACK	NOT TOOLED								
31404-4700	31404-4710		D	BLACK	NOT TOOLED								

ADD NEW P/N EC NO. UAU2017-0615 2017/01/19 DRAWN BY CHYD CHKD: APPR: JDENG02 2017/01/23 REV DESCRIPTION	QUALITY SYMBOLS	GENERAL TOLERANCES (UNLESS SPECIFIED)	DIMENSION STYLE	SCALE	DESIGN UNITS	THIRD ANGLE PROJECTION
	▽=0	4 PLACES ± 0.13	MM ONLY	4:1	METRIC	0.64 USCAR CONNECTOR SEALED SINGLE ROW ASSEMBLY
	▽=0	3 PLACES ± 0.13				molex
	▽=0	2 PLACES ± 0.3				SD-31402-211
		ANGULAR ± 3°	DRAWN BY DATE			SHEET NO.
		DRAFT WHERE APPLICABLE MUST REMAIN WITHIN DIMENSIONS	RCARLSON 2003/09/25			6 OF 8
			CHECKED BY DATE			
			RCARLSON 2004/09/28			
			APPROVED BY DATE			
			VKOSHY 2010/11/22			
			MATERIAL NO.	DOCUMENT NO.		
			SEE CHART			

PART NUMBER WITHOUT CPA	PART NUMBER WITH CPA	CLIPSLOT OPTION	ROW/ CIRCUITS	KEY*	MATTE SEAL COLOR	PERIMETER SEAL COLOR	CONNECTOR COLOR	WIDTH DIM (A)	MIN. PASS THRU DIA.	FEMALE TERMINAL SUPPLIER	USCAR FOOTPRINT DRAWING NO.	STATUS
31402-5100	31402-5110	NO	1 X 5	A	TBD	TBD	BLACK	23.80	(24.28)	TYCO OR MOLEX GET 0.64	064-S-005-1-202	NOT TOOLED
31402-5200	31402-5210			B			GRAY					NOT TOOLED
31402-5300	31402-5310			C			BROWN					NOT TOOLED
31402-5400	31402-5410			D			GREEN					NOT TOOLED
31402-5500	31402-5510			B			BLACK					NOT TOOLED
31402-5600	31402-5610			C			BLACK					NOT TOOLED
31402-5700	31402-5710			D			BLACK					NOT TOOLED
31403-5100	31403-5110			A			BLACK					NOT TOOLED
31403-5200	31403-5210			B			GRAY					NOT TOOLED
31403-5300	31403-5310			C			BROWN					NOT TOOLED
31403-5400	31403-5410			D			GREEN			NOT TOOLED		
31403-5500	31403-5510			B			BLACK			NOT TOOLED		
31403-5600	31403-5610			C			BLACK			NOT TOOLED		
31403-5700	31403-5710			D			BLACK			NOT TOOLED		
31404-5100	31404-5110			A			BLACK			NOT TOOLED		
31404-5200	31404-5210			B			GRAY			NOT TOOLED		
31404-5300	31404-5310			C			BROWN			NOT TOOLED		
31404-5400	31404-5410			D			GREEN			NOT TOOLED		
31404-5500	31404-5510			B			BLACK			NOT TOOLED		
31404-5600	31404-5610			C			BLACK			NOT TOOLED		
31404-5700	31404-5710	D	BLACK	NOT TOOLED								
31402-6100	31402-6110	NO	1 X 6	A	ROYAL BLUE	LIGHT BLUE	BLACK	26.33	(26.82)	TYCO OR MOLEX GET 0.64	064-S-006-1-202	TOOLED
31402-6200	31402-6210			B			GRAY					TOOLED, COLOR UNAVAILABLE
31402-6300	31402-6310			C			BROWN					TOOLED, COLOR UNAVAILABLE
31402-6400	31402-6410			D			GREEN					TOOLED
31402-6500	31402-6510			B			BLACK					TOOLED
31402-6600	31402-6610			C			BLACK					TOOLED
31402-6700	31402-6710			D			BLACK					TOOLED
31403-6100	31403-6110			A			BLACK					TOOLED
31403-6200	31403-6210			B			GRAY					TOOLED
31403-6300	31403-6310			C			BROWN					TOOLED, COLOR UNAVAILABLE
31403-6400	31403-6410			D			GREEN			TOOLED, COLOR UNAVAILABLE		
31403-6500	31403-6510			B			BLACK			TOOLED		
31403-6600	31403-6610			C			BLACK			TOOLED		
31403-6700	31403-6710			D			BLACK			TOOLED		
31404-6100	31404-6110			A			BLACK			TOOLED		
31404-6200	31404-6210			B			GRAY			TOOLED		
31404-6300	31404-6310			C			BROWN			TOOLED, COLOR UNAVAILABLE		
31404-6400	31404-6410			D			GREEN			TOOLED, COLOR UNAVAILABLE		
31404-6500	31404-6510			B			BLACK			TOOLED		
31404-6600	31404-6610			C			BLACK			TOOLED		
31404-6700	31404-6710	D	BLACK	TOOLED								
31404-6800	31404-6810	C	NATURAL	TOOLED								

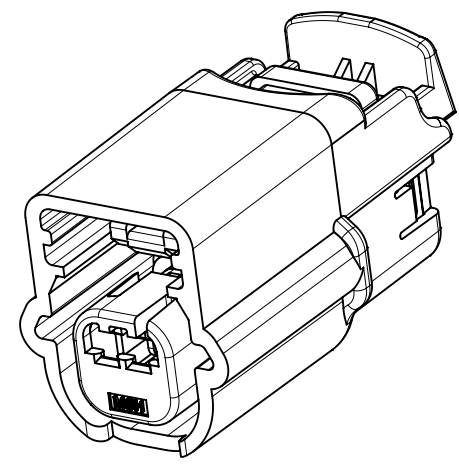
ADD NEW P/N EC NO. UAU2017-0615 DRAWN BY CHKD: APPR.: JENGOZ 2017/01/19 2017/01/23	QUALITY SYMBOLS	GENERAL TOLERANCES (UNLESS SPECIFIED)	DIMENSION STYLE	SCALE	DESIGN UNITS	THIRD ANGLE PROJECTION	
	∇=0 ∇=0 ∇=0	4 PLACES ± --- ± --- 3 PLACES ± --- ± --- 2 PLACES ± 0.13 ± --- 1 PLACE ± 0.3 ± --- 0 PLACE ± ±	mm INCH ± --- ± --- ± 0.13 ± --- ± 0.3 ± --- ± ±	MM ONLY DRAWN BY DATE RCARLSON 2003/09/25 CHECKED BY DATE RCARLSON 2004/09/28 APPROVED BY DATE VKOSHY 2010/11/22	4:1	METRIC	TITLE 0.64 USCAR CONNECTOR SEALED SINGLE ROW ASSEMBLY MATERIAL NO. DATE SEE CHART DOCUMENT NO. DATE SD-31402-211
	ANGULAR ± 3 ° DRAFT WHERE APPLICABLE MUST REMAIN WITHIN DIMENSIONS		SHEET NO. 7 OF 8				

PART NUMBER WITHOUT CPA	PART NUMBER WITH CPA	CLIPSLOT OPTION	ROW/CIRCUITS	KEY	MATE SEAL COLOR	PERMETER SEAL COLOR	CONNECTOR COLOR	WIDTH (A)	MIN. PASS THRU DIA.	FEMALE TERMINAL SUPPLIER	USCAR FOOTPRINT DRAWING NO.	STATUS
31402-8100	31402-8110	NO	1 X 8	A	TBD	TBD	BLACK	31.25	(31.90)	TYCO OR MOLEX GET 0.64	064-S-008-1-Z02	NOT TOOLED
31402-8200	31402-8210			B			GRAY					NOT TOOLED
31402-8300	31402-8310			C			BROWN					NOT TOOLED
31402-8400	31402-8410			D			GREEN					NOT TOOLED
31402-8500	31402-8510			B			BLACK					NOT TOOLED
31402-8600	31402-8610			C			BLACK					NOT TOOLED
31402-8700	31402-8710			D			BLACK					NOT TOOLED
31403-8100	31403-8110			A			BLACK					NOT TOOLED
31403-8200	31403-8210			B			GRAY					NOT TOOLED
31403-8300	31403-8310			C			BROWN					NOT TOOLED
31403-8400	31403-8410			D			GREEN			NOT TOOLED		
31403-8500	31403-8510			B			BLACK			NOT TOOLED		
31403-8600	31403-8610			C			BLACK			NOT TOOLED		
31403-8700	31403-8710			D			BLACK			NOT TOOLED		
31404-8100	31404-8110			A			BLACK			NOT TOOLED		
31404-8200	31404-8210			B			LT. GRAY			INFORMATION REFER TO SD-31404-811		
31404-8300	31404-8310			C			DK. GRAY					
31404-8400	31404-8410			D			TBD					

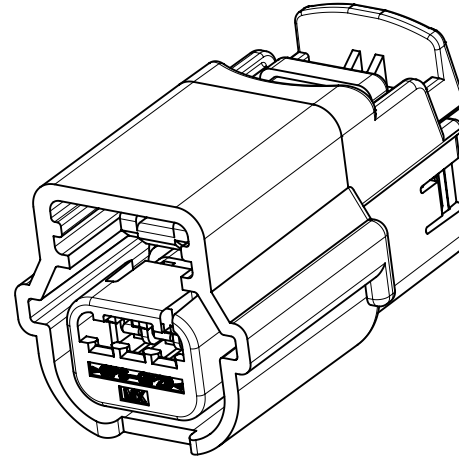
ADDITIONAL CAVITY PLUG CONFIGURATIONS:

ROW/CIRCUITS	FEMALE TERMINAL	MOLEX P/N WITH CPA	MOLEX P/N WITHOUT CPA	KEY OPTION	CLIPSLOT OPTION	COLOR	CIRCUIT NUMBER: "0" INDICATED PLUG LOCATION						TOTAL CIRCUITS PLUGGED	STATUS
							1	2	3	4	5	6		
1X6	TYCO/MOLEX GET	31402-6110	31402-6100	A	NO	BLACK							0	TOOLED
		31402-6111	31402-6101	A	NO	BLACK	0	0	0	0	0	0	6	TOOLED
		31402-6112	31402-6102	A	NO	BLACK	0	0					2	TOOLED
		31402-6113	31402-6103	A	NO	BLACK	0	0					1	TOOLED
		31402-6114	31402-6104	A	NO	BLACK	0	0	0	0			4	TOOLED
		31402-6115	31402-6105	A	NO	BLACK			0		0	0	3	TOOLED
		31402-6118	31402-6108	A	NO	BLACK					0		1	TOOLED
		31402-6119	31402-6109	A	NO	BLACK			0				1	TOOLED
		31402-6131	31402-6121	A	NO	BLACK				0			1	TOOLED
		31402-6150	31402-6140	A	YES	BLACK							0	TOOLED
	MOLEX 0.64	31403-6110	31403-6100	A	NO	BLACK							0	TOOLED
		31403-6111	31403-6101	A	NO	BLACK	0	0	0	0	0	0	6	TOOLED
		31403-6112	31403-6102	A	NO	BLACK	0	0					1	TOOLED
		31403-6113	31403-6103	A	NO	BLACK	0	0	0				4	TOOLED
		31403-6114	31403-6104	A	NO	BLACK	0	0			0	0	2	TOOLED
		31403-6212	31403-6202	B	NO	GRAY				0	0	0	3	TOOLED
		31404-6110	31404-6100	A	NO	BLACK							0	TOOLED
		31404-6111	31404-6101	A	NO	BLACK	0	0	0	0	0	0	6	TOOLED
		31404-6112	31404-6102	A	NO	BLACK	0	0					2	TOOLED
		31404-6113	31404-6103	A	NO	BLACK	0	0					2	TOOLED
YAZAKI KAIZEN 0.64 TE GEN Y 0.64 JST AIT 0.64	31404-6116	31404-6106	A	NO	BLACK							0	TOOLED	
	31404-6117	31404-6107	A	NO	BLACK	0	0			0	0	3	TOOLED	
	31404-6118	31404-6108	A	NO	BLACK	0						1	TOOLED	
	31404-6119	31404-6109	A	NO	BLACK			0		0	0	3	TOOLED	
	31404-6132	31404-6122	A	NO	BLACK			0				1	TOOLED	
	31404-6213	31404-6203	B	NO	GRAY	0				0	2	2	TOOLED	
	31404-6214	31404-6204	B	NO	GRAY					0	0	1	TOOLED	
	31404-6812	31404-6802	C	NO	NATURAL				0	0	0	3	TOOLED	
	1X3	TYCO/MOLEX GET	31402-3113	31402-3103	A	NO	BLACK			0			1	TOOLED
		MOLEX 0.64	31403-3132	31403-3122	A	NO	GRAY			0			1	TOOLED
YAZAKI KAIZEN 0.64 TE GEN Y 0.64 JST AIT 0.64		31404-3112	31404-3102	A	NO	BLACK			0			1	OK TO TOOL	

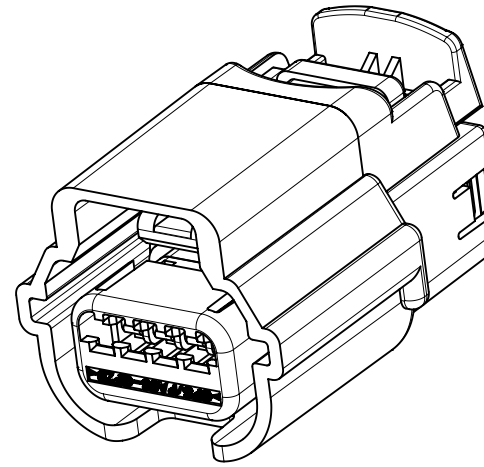
ADD NEW P/N EC NO. UAU2017-0615 DRAWN BY CHKO: APPR: JENGG02 2017/01/19 2017/01/23 DESCRIPTION	QUALITY SYMBOLS	GENERAL TOLERANCES (UNLESS SPECIFIED)	DIMENSION STYLE	SCALE	DESIGN UNITS	THIRD ANGLE PROJECTION	
	∇=0 ∇=0 ∇=0	4 PLACES ± --- ± --- 3 PLACES ± --- ± --- 2 PLACES ± 0.13 ± --- 1 PLACE ± 0.3 ± --- 0 PLACE ± ±	mm INCH ANGULAR ± 3 ° DRAFT WHERE APPLICABLE MUST REMAIN WITHIN DIMENSIONS	MM ONLY DRAWN BY DATE RCARLSON 2003/09/25 CHECKED BY DATE RCARLSON 2004/09/28 APPROVED BY DATE VKOSHY 2010/11/22	4:1	METRIC	0.64 USCAR CONNECTOR SEALED SINGLE ROW ASSEMBLY molex
	MATERIAL NO. SEE CHART		DOCUMENT NO. SD-31402-211	SHEET NO. 8 OF 8		THIS DRAWING CONTAINS INFORMATION THAT IS PROPRIETARY TO MOLEX INCORPORATED AND SHOULD NOT BE USED WITHOUT WRITTEN PERMISSION	



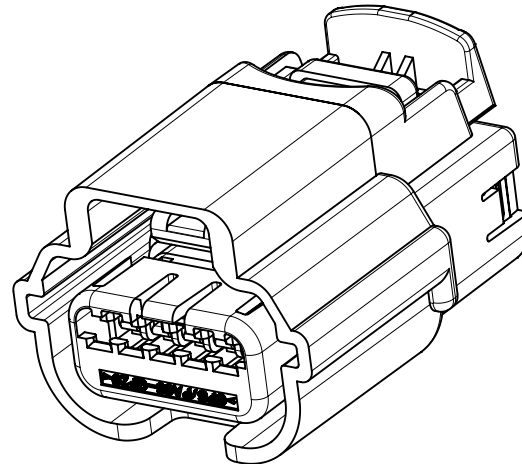
1X2



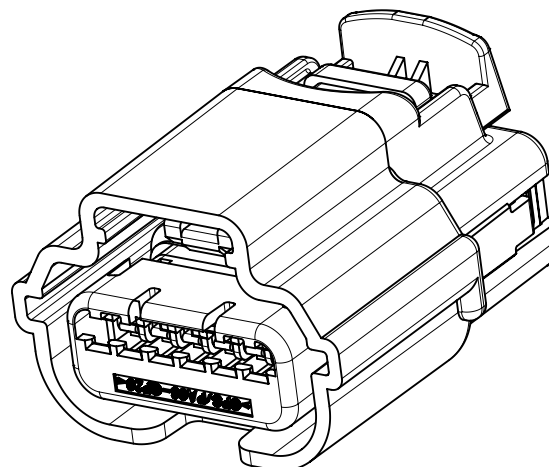
1X3



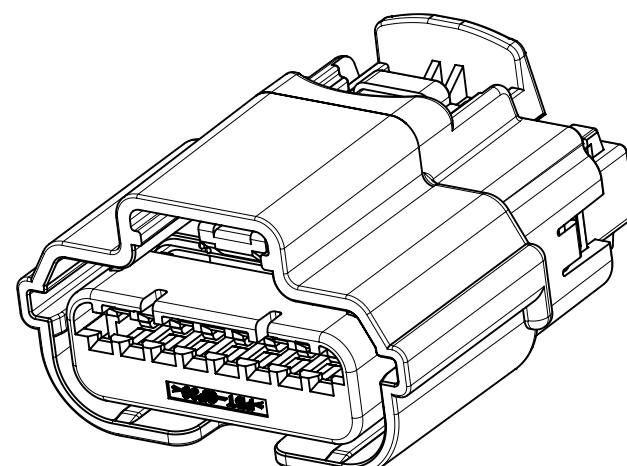
1X4



1X5



1X6



1X8

TABLE OF CONTENTS	
SHEET NO.	SHEET DESCRIPTION
1	NOTES AND BOM
2	CONNECTOR ASSEMBLY WITHOUT CLIPSLOT
3	CONNECTOR ASSEMBLY WITH CLIPSLOT
4-5	KEY CONFIGURATIONS
6-9	BOM

NOTES: VALID UNLESS OTHERWISE SPECIFIED

1. GENERAL:
 - a. APPLICATION SPECIFICATION SEE: AS-31402-000
 - CONTAINS: SEE AS CONTENT
 - DESIGNED TO MATE WITH DEVICE OR CONNECTOR AS SPECIFIED IN THE MATING INTERFACE DRAWINGS CHART.
 - *DENOTES DRAWINGS THAT CAN BE ACCESSED AT <http://ewcap.uscarteams.org/>.
 - ASSEMBLY SHIPPED WITH PLR IN PRE-LOCK POSITION (SEE PLR PRE-LOCK VIEW ON SHEET 2 SECTION A-A).
 - b. PRODUCT RELATED DRAWING REFER TO DRAWING INFORMATION CHART
 - c. TPA'S MAY BECOME SEATED DURING TRANSIT. IF THIS OCCURS, TPA'S SHOULD BE MOVED TO THE PRE-LOCKED POSITION PRIOR TO FEMALE TERMINAL INSTALLATION. REFERENCE PRODUCT SPECIFICATION: PS-34646-001
 - d. PARTS MUST BE IN COMPLIANCE TO MOLEX CHEMICAL SUBSTANCES FOR PRODUCTS AND PACKAGING SPECIFICATION: QEHS-699000-301
 - e. DATA MUST BE SUBMITTED UNDER THE MOLEX PART NUMBER TO IMDS (COMPANY ID#13255)
 - f. SYSTEM EXCEPT SERIES 31404 1X8 CIRCUIT TO BE USED WITH OUTSIDE WIRE DIAMETERS RANGING FROM 1.20MM TO 2.06MM WITHIN RANGE OF:
 - SAE 22 AWG TO 18 AWG PER ESB-M1L123-A2
 - ISO 0.35MM TO 0.75MM PER GMW15626 AND ES-AU5T-1A348-AA
 - g. POLARIZATION FEATURE EFFECTIVENESS PER USCAR-2 PARAGRAPH 5.4.4 IS REDUCED WHEN TESTING ALL POLARIZATION OPTIONS: 100N MIN.
 - h. SEE SHEET #3 FOR CONNECTOR ASSEMBLY WITH CLIPSLOP
 - i. FOR CLIPSSLOT CONNECTOR: CLIP OVERHANGS CONNECTOR, PLEASE CHECK APPLICATION (COULD CAUSE WIRE CHAFING)-SHORTER CLIP IS A RECOMMENDATION.

2. DESIGN - GEOMETRY:
 - a. THE 3-D CAD DATA IS BASIC (WITHOUT TOLERANCE) AND MASTER FOR THIS PART WITH THE EXCEPTION OF UNDERLINED DIMENSIONS. DIMENSIONAL INFORMATION NOT SHOWN ON THIS DRAWING IS DEFINED BY THE DATA FILE AT ITS LATEST REVISION.
 - b. GEOMETRIC DIMENSIONS AND TOLERANCES PER ASME Y14.5M-2009
 - c. EDGES AND UNDIMENSIONED DETAILS PER ISO13715
 - d. CORNERS SHOWN AS SHARP TO BE R 0.2 MAX.
 - e. LETTERING SHALL BE 0.15 MAX RAISED IN 0.25 MAX RECESS PAD. THIS INCLUDES RECYCLING CODE, CAVITY ID, VENDOR IDENTIFICATION, AND CUSTOMER MATERIAL NUMBER.
 - f. VISUAL DEFECTS SHALL MEET COSMETIC STANDARD PS-45499-002 (Class B).
 - g. DATE CODE: FIRST TWO DIGITS ARE THE CALENDAR YEAR (EXAMPLE: 04 = 2004). THIRD THROUGH 5TH DIGIT DAY # OF THE CALENDAR YEAR (EXAMPLE: FEB. 3RD = '034').

DRAWING INFORMATION	
DESCRIPTION	DRAWING NO.
PRODUCT SPECIFICATION	PS-31402-000
	FOR 31404 1X8 REFER TO PS-31404-001-1X8
PACKAGING	PK-31300-256
SALES DRAWING	SD-31402-211
	FOR 31404 1X8 REFER TO SD-31404-811
TEST SUMMARY	FOR 1X2 REFER TO TS-31402-001-1X2
	FOR 1X3 REFER TO TS-31402-001-1X3
	FOR 1X6 REFER TO TS-31402-001-1X6
	FOR 31404 1X8 REFER TO TS-31404-001-1X8

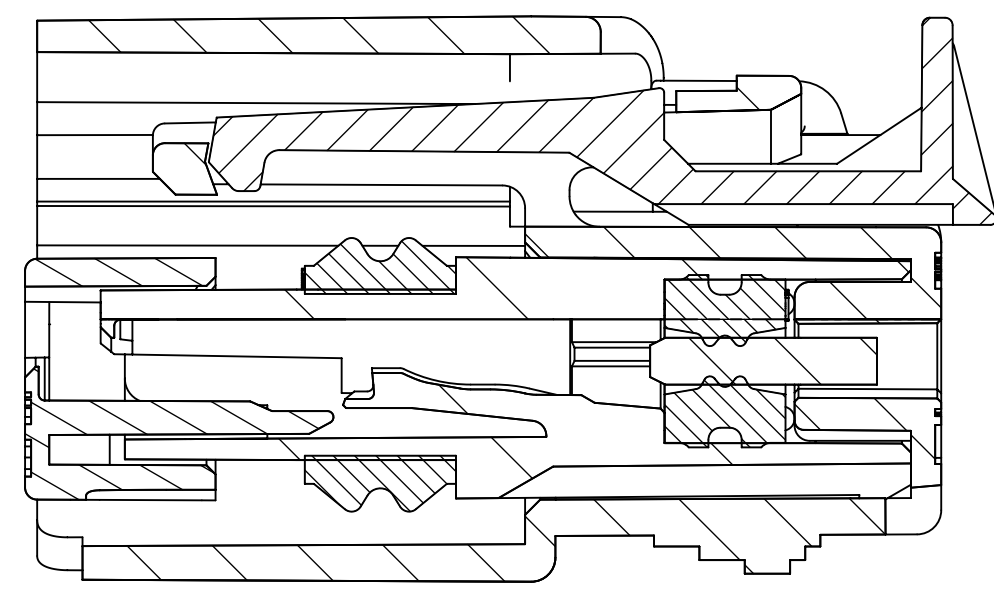
MATING INTERFACE DRAWING	
DESCRIPTION	INTERFACE DEFINITION
1X2	*064-S-002-1-Z02
1X3	*064-S-003-1-Z01
1X4	*064-S-004-1-Z02
1X5	*064-S-005-1-Z02
1X6	*064-S-006-1-Z02
1X8	*064-S-008-1-Z02

PART NUMBER LEGEND
CONNECTOR ASSEMBLY

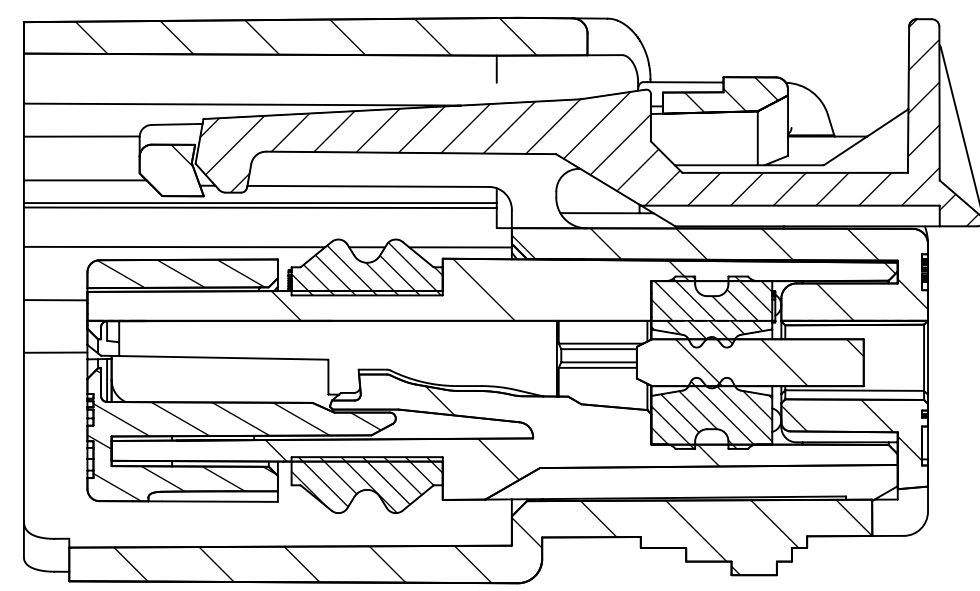
- 3140X-XXXX
- SEAL PLUG CONFIGURATION (AS MOLDED)
 - 0 - ALL CIRCUITS OPEN
 - 1-9 SEE CHART
 - CPA OPTION
 - 0 OR 2 - WITHOUT CPA
 - 1 OR 3 - WITH CPA
 - 4 - WITHOUT CPA, WITH CLIPSLOT
 - 5 - WITH CPA, WITH CLIPSLOT
 - USCAR POLARIZATION OPTION
 - 1 - POLARIZATION OPTION A
 - 2 - POLARIZATION OPTION B
 - 3 - POLARIZATION OPTION C
 - 4 - POLARIZATION OPTION D
 - 5 - POLARIZATION OPTION B, BLACK
 - 6 - POLARIZATION OPTION C, BLACK
 - 7 - POLARIZATION OPTION D, BLACK
 - 8 - POLARIZATION OPTION C, NATURAL
 - 9 - POLARIZATION OPTION D, GRAY
 - CIRCUIT SIZE 2, 3, 4, 5, 6 & 8
 - 6 - CIRCUIT SIZE 6 WITH 31412-6500 RING SEAL (LIM TYPE)
 - 7 - CIRCUIT SIZE 6 WITH 31412-6501 RING SEAL (HCR TYPE)
 - TERMINAL OPTION
 - 2 - TYCO/MOLEX GET 0.64
 - 3 - MOLEX 0.64
 - 4 - YAZAKI KAIZEN 0.64/TE GEN Y 0.64/JST AIT 0.64

T	ADD P/N 3140*-7XXXX FOR 1X6 WITH 31412-6501 RING SEAL VERSION ON SHEET 9
S	ADD P/N: 31402-6131; 31402-6121
R	ADD P/N: 31404-3112; 31404-3102
P	ADD P/N: 31403-3132; 31403-3122
M	ADD P/N: 31402-6118; 31402-6108
L	1. REDRAW SALES DRAWING 2. UPDATE TERMINAL INFORMATION FOR 31404 SERIES 3. ADD P/N: 31403-6212; 31403-6202
REV	REV DESCRIPTION

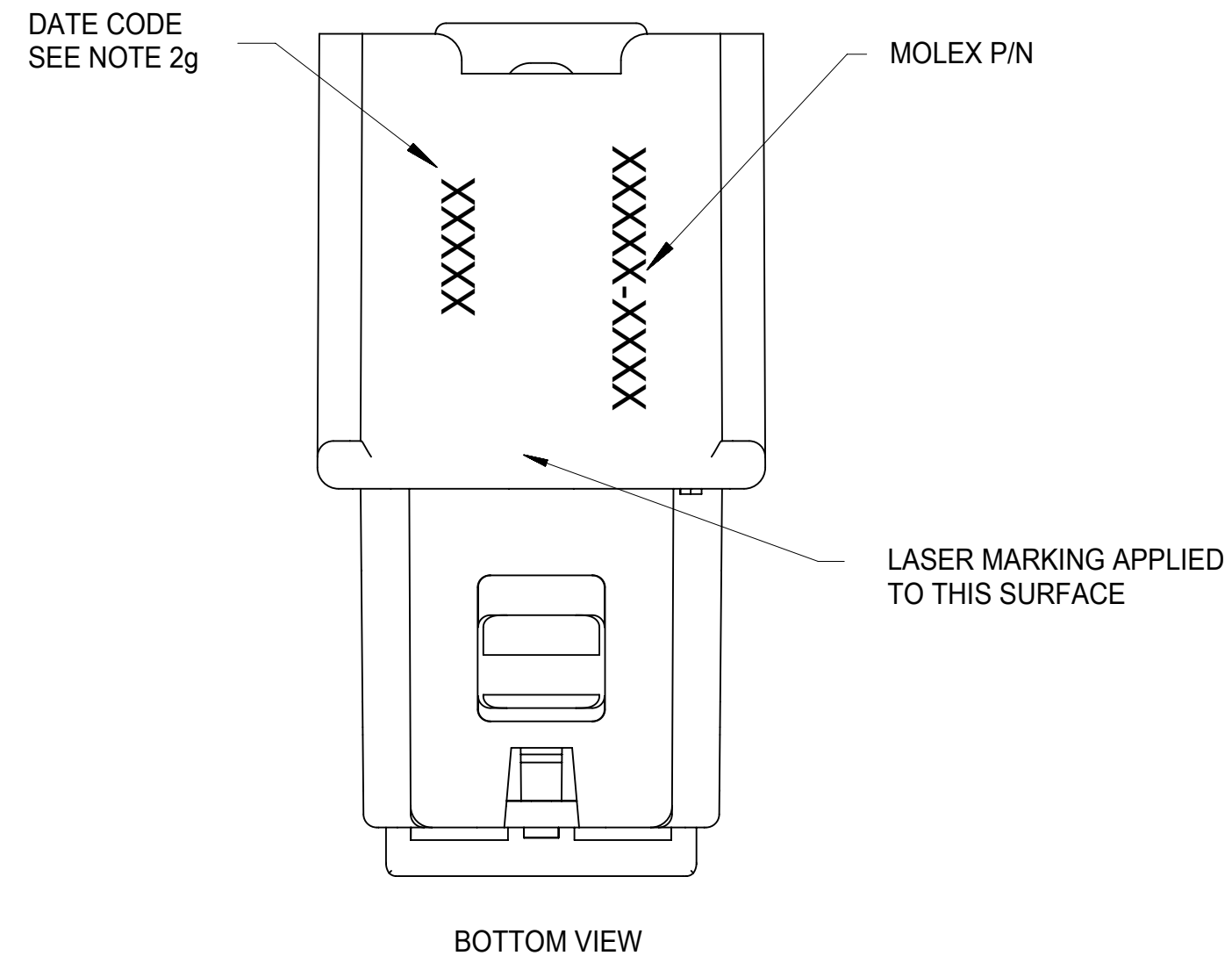
QUALITY SYMBOLS	THIS DRAWING CONTAINS INFORMATION THAT IS PROPRIETARY TO MOLEX ELECTRONIC TECHNOLOGIES, LLC AND SHOULD NOT BE USED WITHOUT WRITTEN PERMISSION		DIMENSION UNITS		SCALE	
	= 0 = 0 = 0 = 0 = 0 = 0 = 0 = 0 = 0	GENERAL TOLERANCES (UNLESS SPECIFIED) ANGULAR TOL ± 3.0 ° 4 PLACES ± 3 PLACES ± 2 PLACES ± 0.13 1 PLACE ± 0.3 0 PLACES ± DRAFT WHERE APPLICABLE MUST REMAIN WITHIN DIMENSIONS	MM	1:1	DRWN BY DATE GLI04 2017/01/19 CHKD BY DATE GLI04 2017/06/23 APPR BY DATE JDENG02 2017/01/23	
EC NO: 118264 DRWN: ZZHUANG CHKD: GLI04 REV APPR: JDENG02		DIMENSION UNITS: D THIRD ANGLE PROJECTION		DOCUMENT NUMBER: SD-31402-211 DOC TYPE: PSD DOC PART: 001 SHEET NUMBER: 1 OF 9		



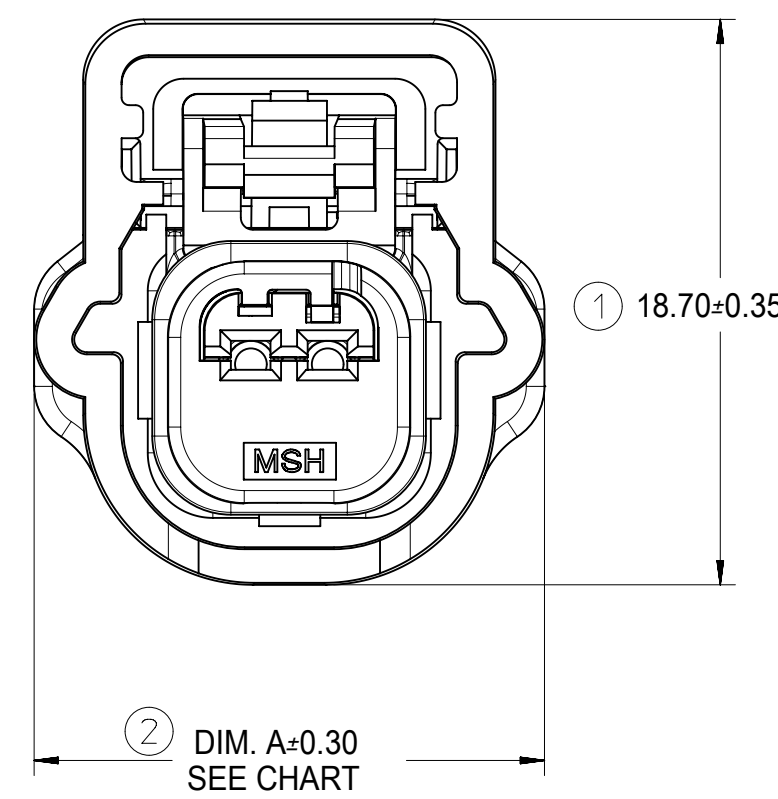
SECTION A-A
TPA SHOWN IN AS-SHIPPED
PRE-LOCKED POSITION
SEE NOTE 1c



SECTION A-A
TPA SHOWN IN FINAL
LOCKED POSITION

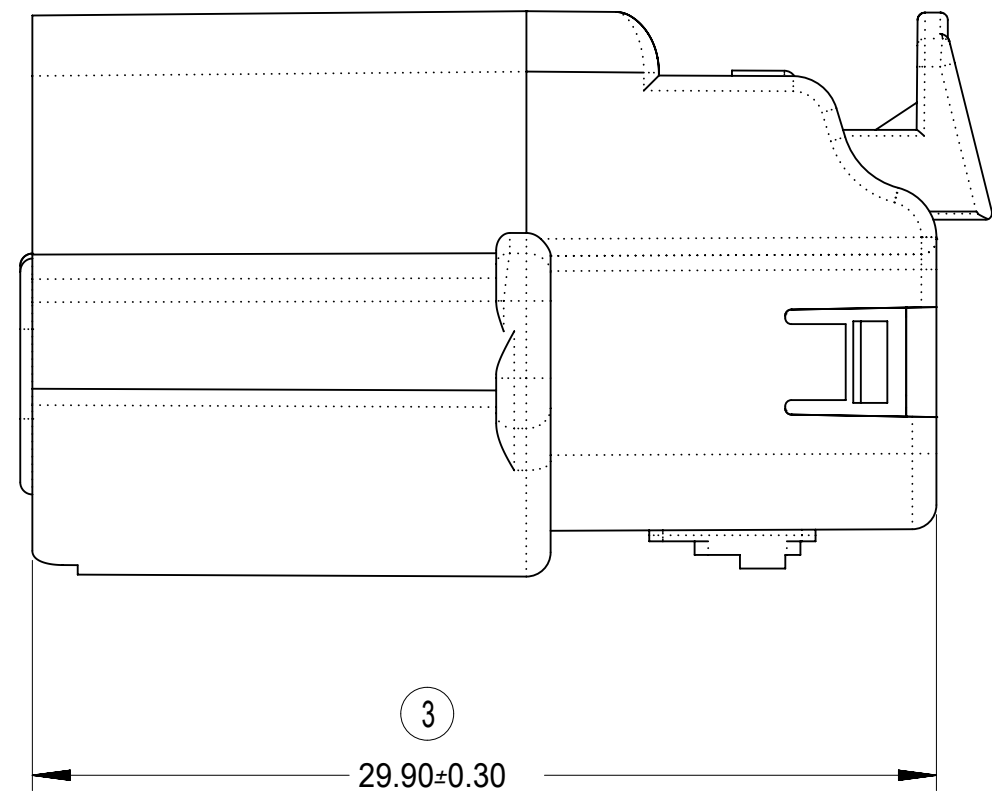


BOTTOM VIEW



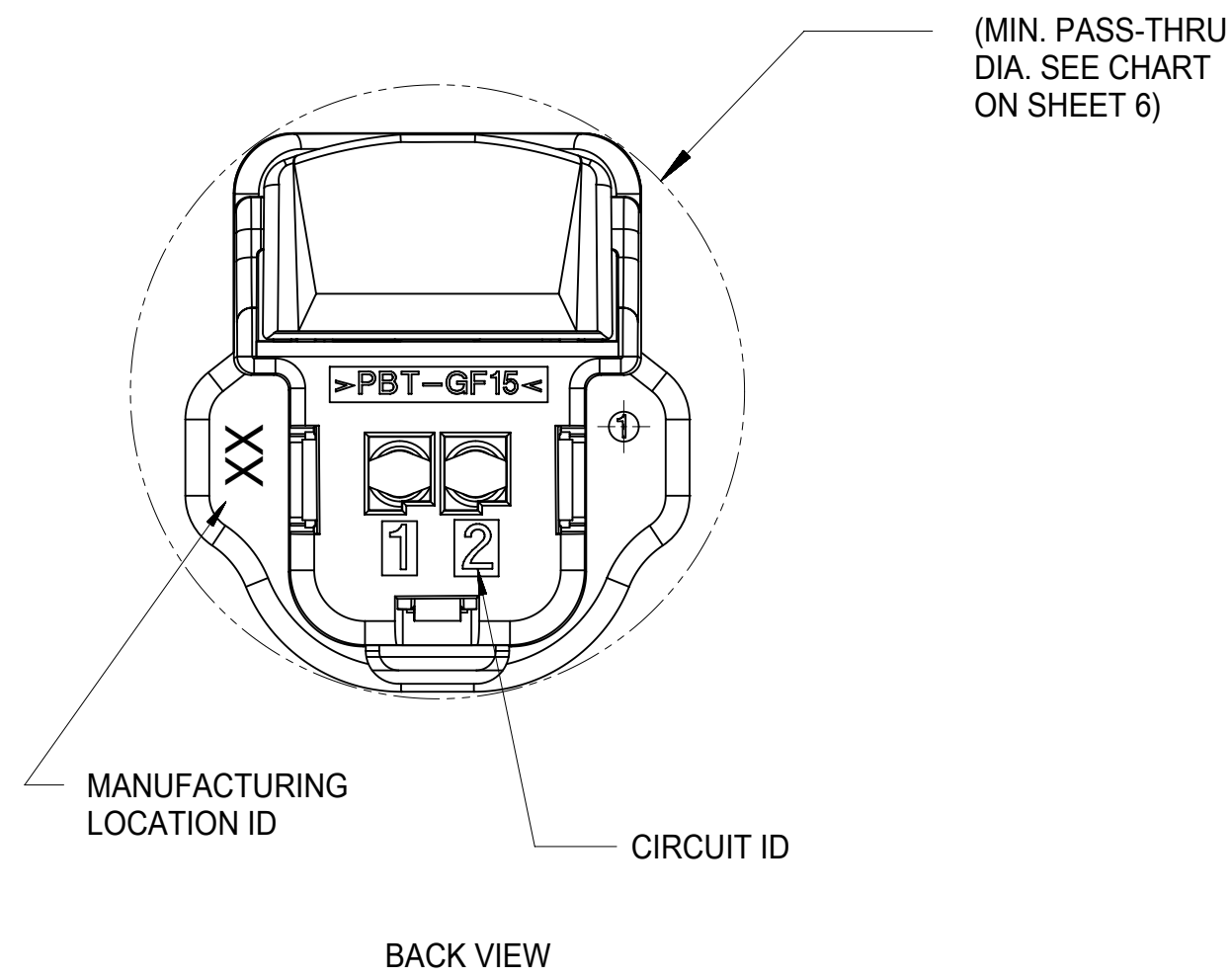
① 18.70±0.35

② DIM. A=0.30
SEE CHART



③ 29.90±0.30

RIGHT SIDE VIEW

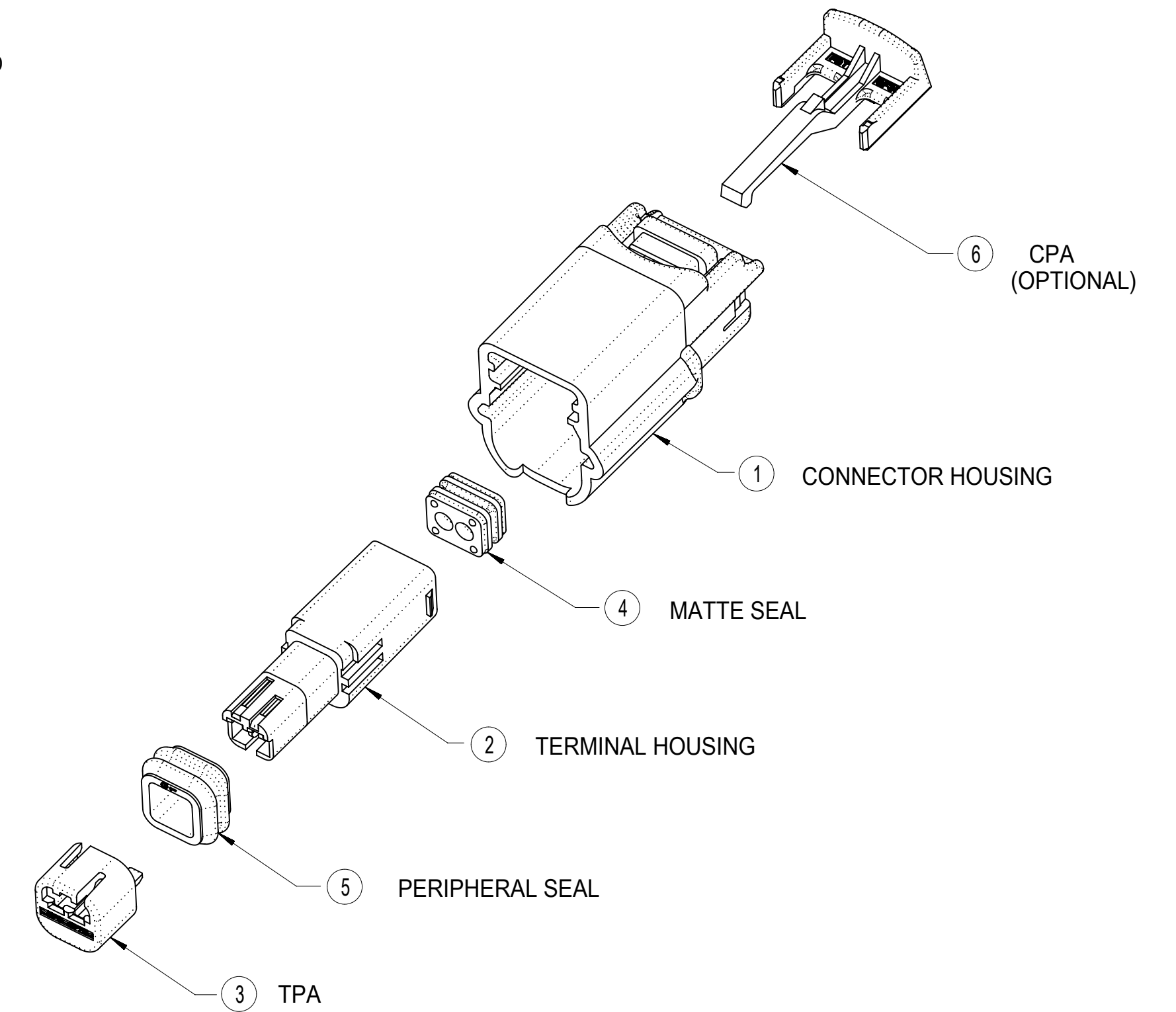


MANUFACTURING
LOCATION ID

CIRCUIT ID

(MIN. PASS-THRU
DIA. SEE CHART
ON SHEET 6)

CONNECTOR ASSEMBLY WITHOUT CLIPSLOT



⑥ CPA
(OPTIONAL)

① CONNECTOR HOUSING

④ MATTE SEAL

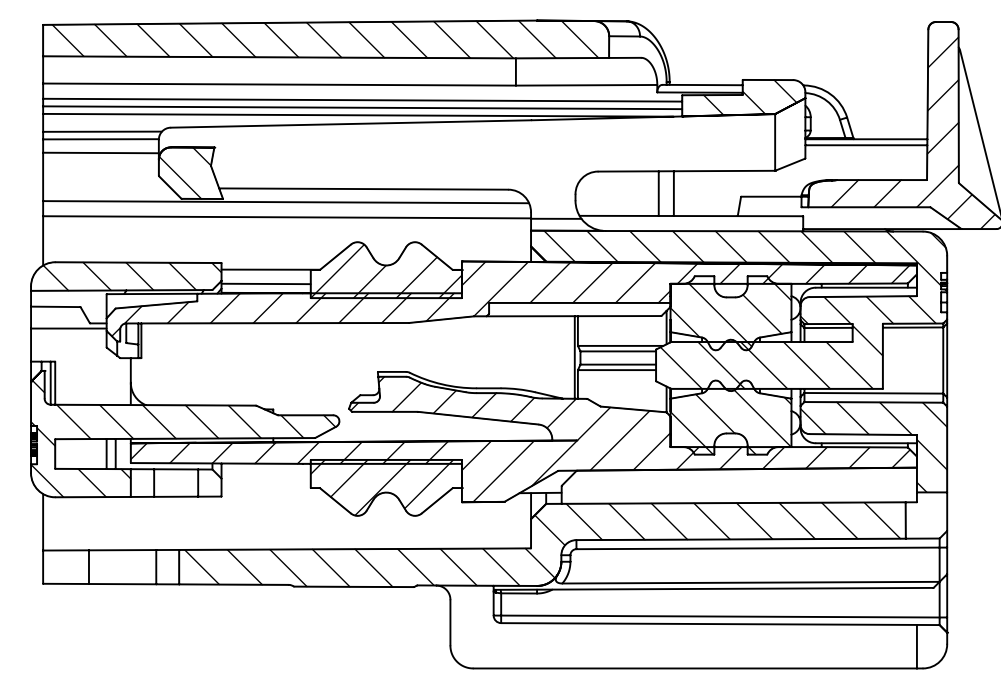
② TERMINAL HOUSING

⑤ PERIPHERAL SEAL

③ TPA

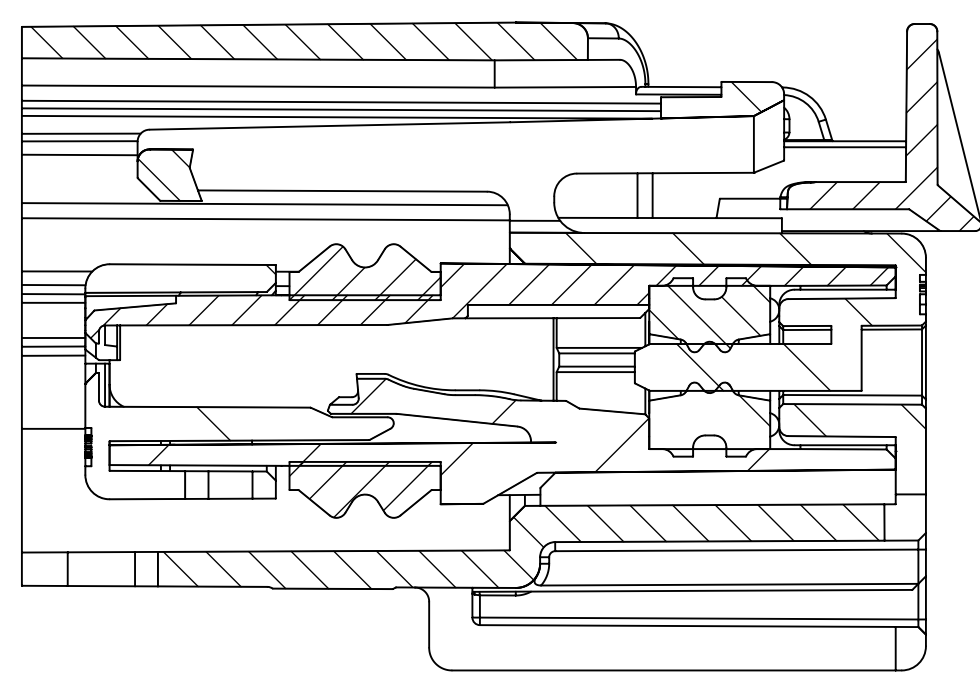
ITEM	DESCRIPTION	COLOR	MATERIAL
1	CONNECTOR HOUSING	SEE CHART	PBT GF15
2	TERMINAL HOUSING	BLACK	SPS/PA66 GF30
3	TPA	NATURAL	SPS/PA66 GF20
4	MATTE SEAL	SEE CHART	SILICONE RUBBER
5	PERIPHERAL SEAL	SEE CHART	SILICONE RUBBER
6	CPA - OPTIONAL	RED	PBT GF30

QUALITY SYMBOLS 	THIS DRAWING CONTAINS INFORMATION THAT IS PROPRIETARY TO MOLEX ELECTRONIC TECHNOLOGIES, LLC AND SHOULD NOT BE USED WITHOUT WRITTEN PERMISSION			
	EC NO: 118284 DRWN: ZZHUANG CHKD: GLI04 REV APPR: JDENG02	2017/06/15 2017/06/23 2017/06/23	GENERAL TOLERANCES (UNLESS SPECIFIED) ANGULAR TOL ± 3.0 ° 4 PLACES ± 3 PLACES ± 2 PLACES ± 0.13 1 PLACE ± 0.3 0 PLACES ± DRAFT WHERE APPLICABLE MUST REMAIN WITHIN DIMENSIONS	DIMENSION UNITS MM SCALE 1:1 DRWN BY DATE 2017/01/19 CHKD BY DATE 2017/06/23 APPR BY DATE 2017/01/23 DRAWING SIZE D THIRD ANGLE PROJECTION



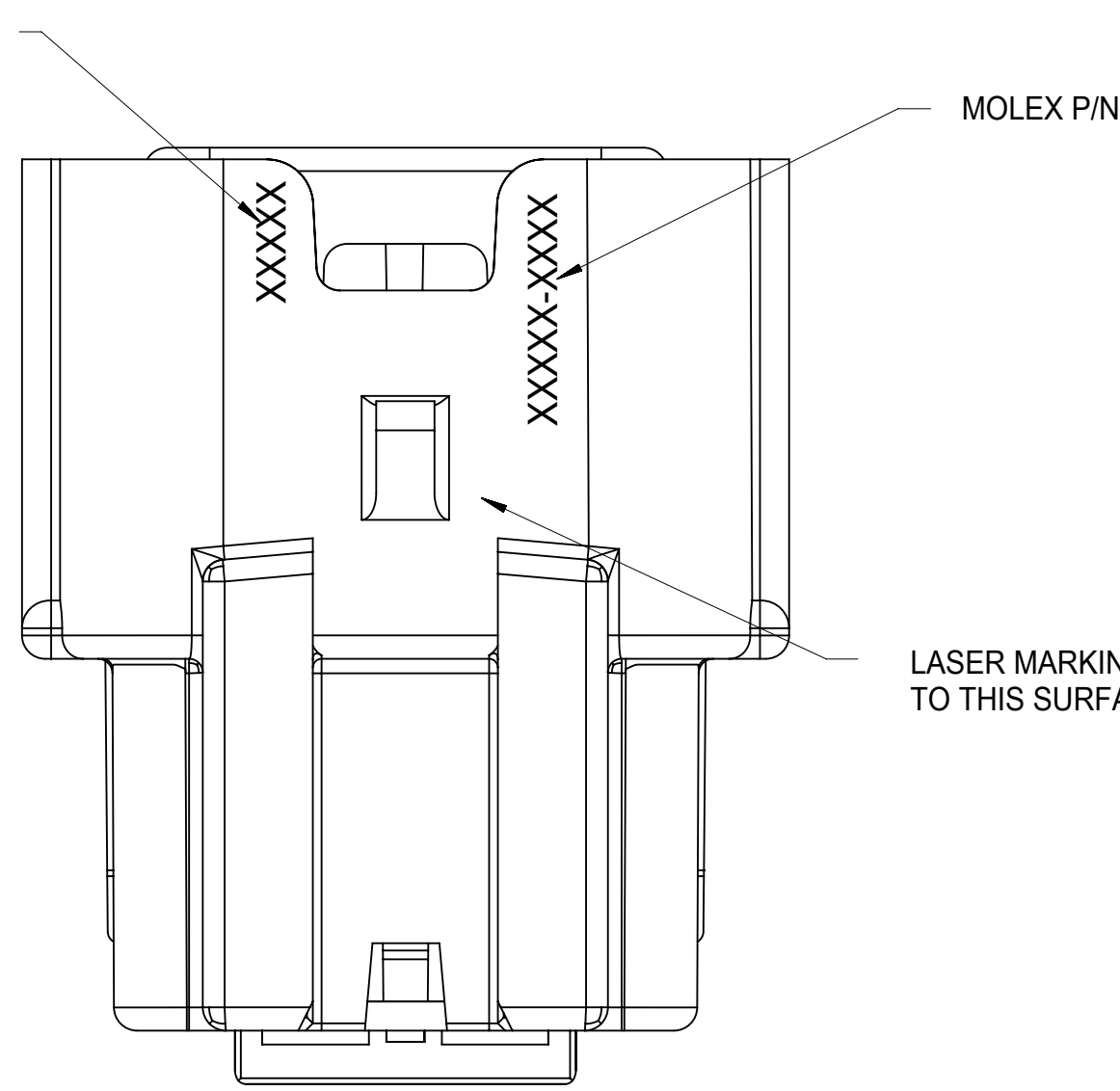
SECTION C-C

TPA SHOWN IN AS-SHIPPED
PRE-LOCKED POSITION
SEE NOTE 1c

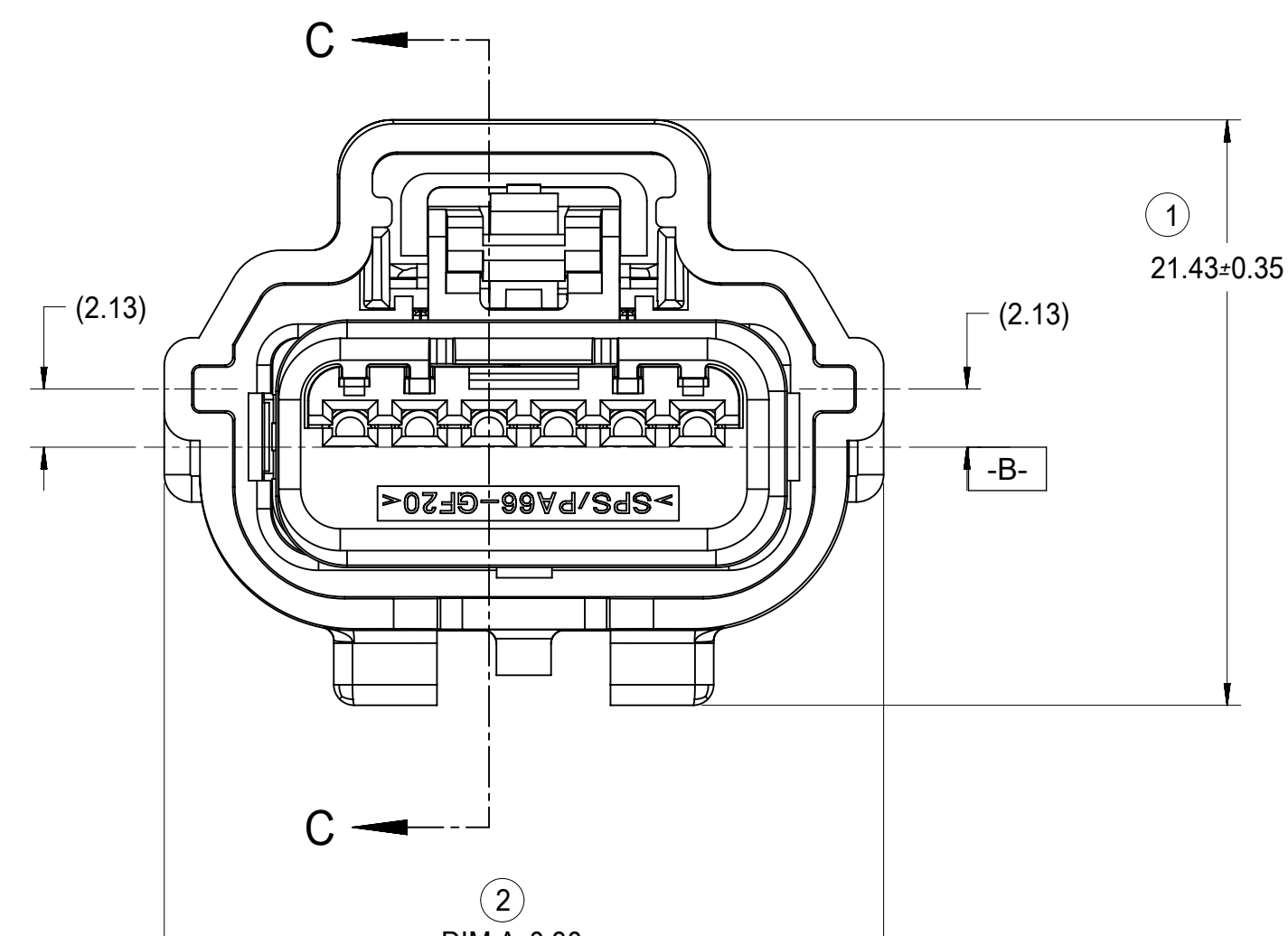
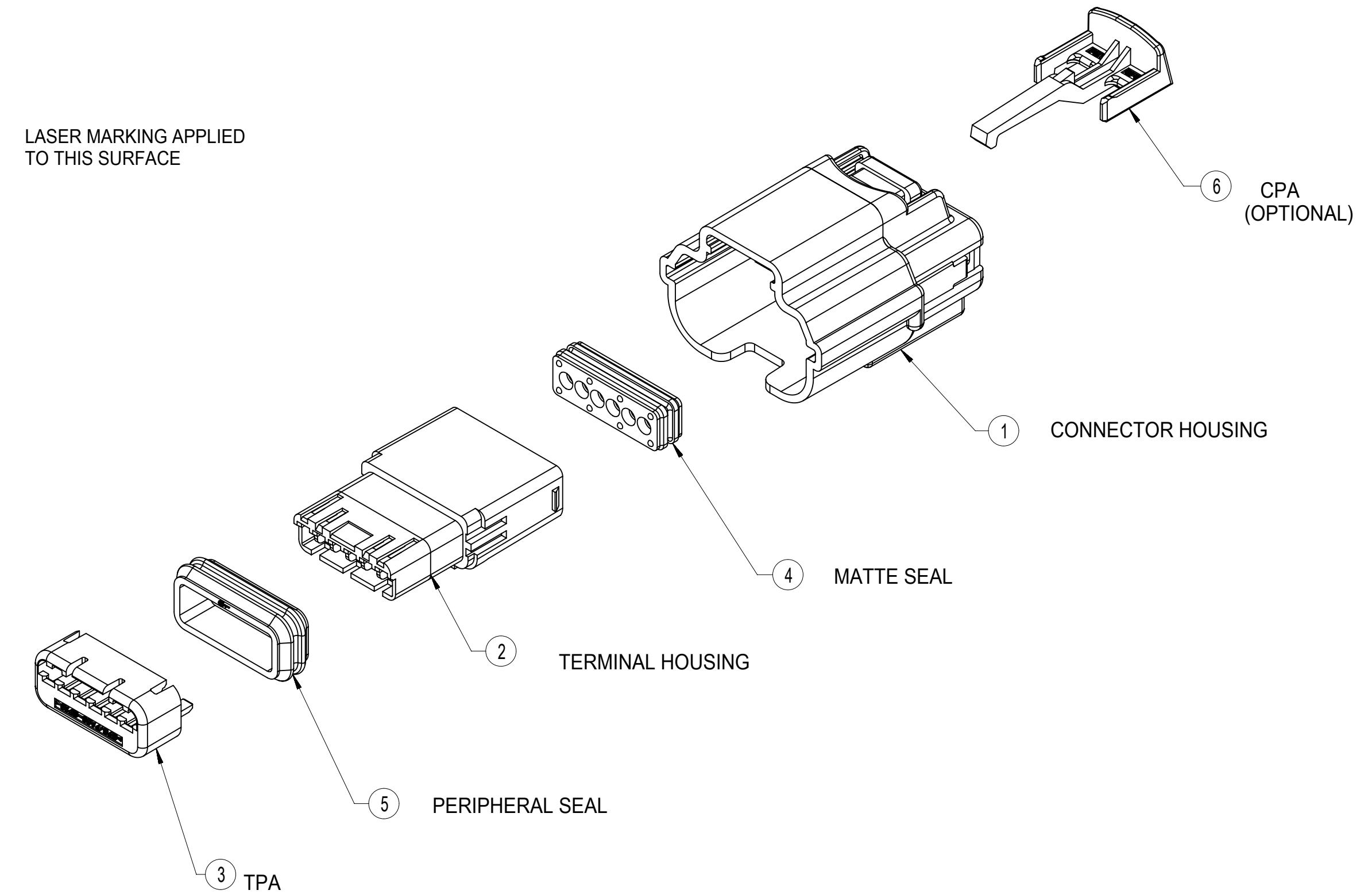


SECTION C-C

TPA SHOWN IN FINAL
LOCKED POSITION

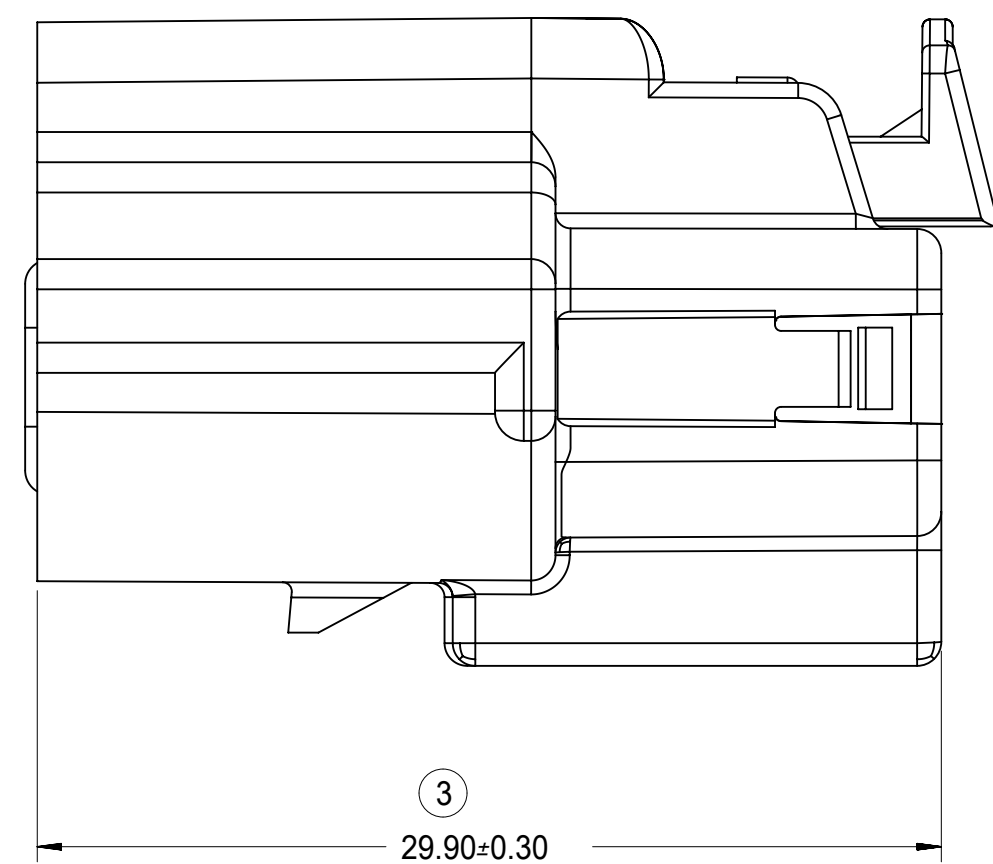


BOTTOM VIEW

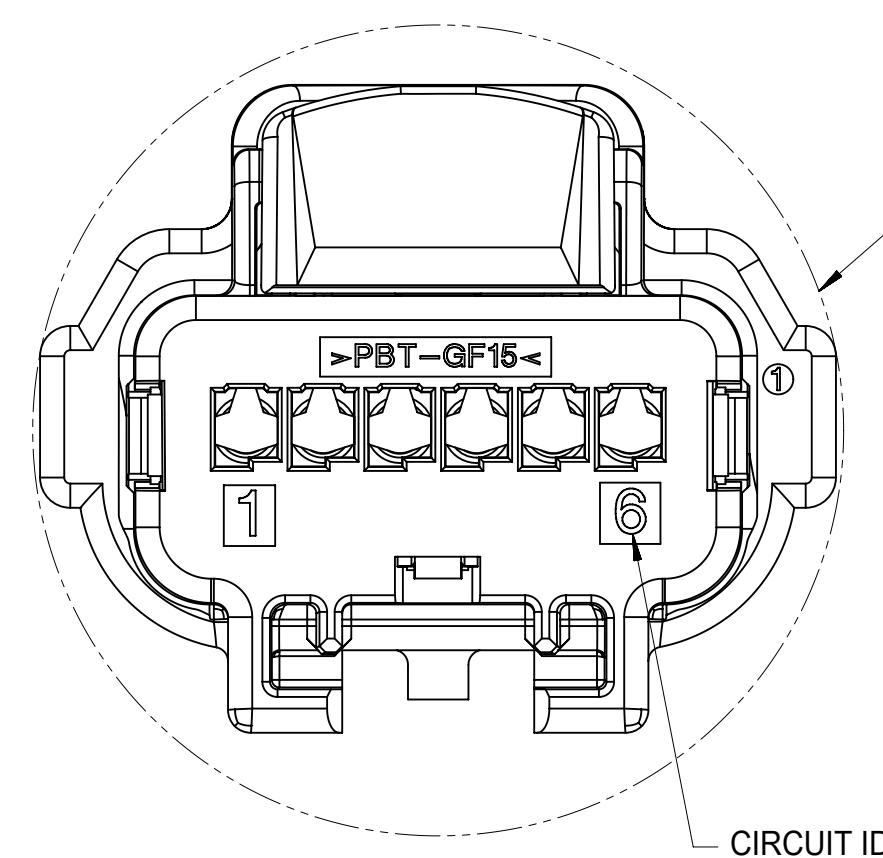


POLARIZATION A

FRONT VIEW



RIGHT SIDE VIEW

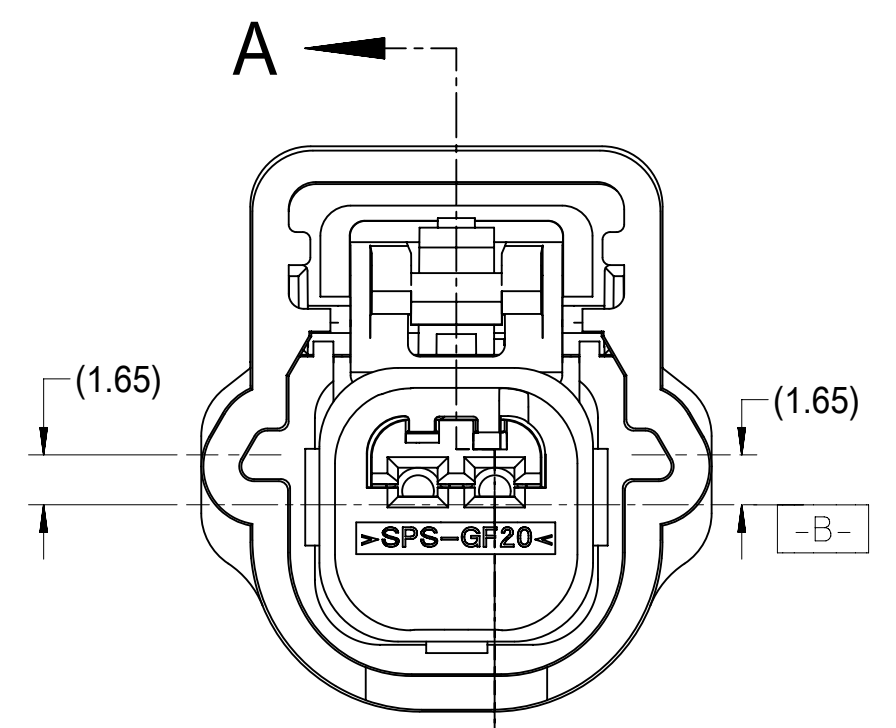


BACK VIEW

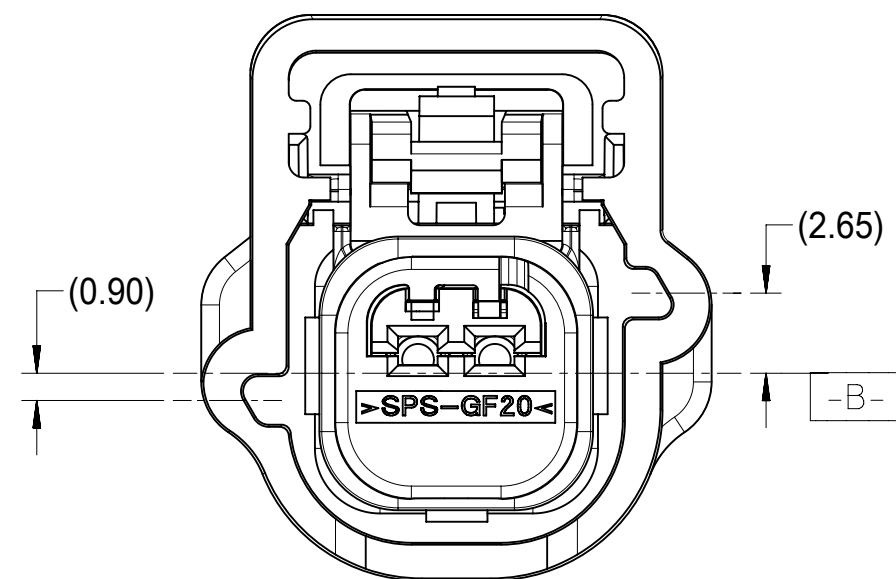
ITEM	DESCRIPTION	COLOR	MATERIAL
1	CONNECTOR HOUSING	SEE CHART	PBT GF15
2	TERMINAL HOUSING	BLACK	SPS/PA66 GF30
3	TPA	NATURAL	SPS/PA66 GF20
4	MATTE SEAL	SEE CHART	SILICONE RUBBER
5	PERIPHERAL SEAL	SEE CHART	SILICONE RUBBER
6	CPA - OPTIONAL	RED	PBT GF30

QUALITY SYMBOLS		THIS DRAWING CONTAINS INFORMATION THAT IS PROPRIETARY TO MOLEX ELECTRONIC TECHNOLOGIES, LLC AND SHOULD NOT BE USED WITHOUT WRITTEN PERMISSION			
▽ = 0	2017/06/15	GENERAL TOLERANCES (UNLESS SPECIFIED)		DIMENSION UNITS	SCALE
▽ = 0	2017/06/23	ANGULAR TOL ± 3.0 °		MM	1:1
▽ = 0	2017/06/23	4 PLACES ±		DRWN BY	DATE
▽ = 0		3 PLACES ±		GLI04	2017/01/19
▽ = 0		2 PLACES ± 0.13		CHKD BY	DATE
▽ = 0		1 PLACE ± 0.3		GLI04	2017/06/23
▽ = 0		0 PLACES ±		APPR BY	DATE
▽ = 0		DRAFT WHERE APPLICABLE MUST REMAIN WITHIN DIMENSIONS		JDENG02	2017/01/23
▽ = 0				DRAWING SIZE	THIRD ANGLE PROJECTION
▽ = 0				D	
EC NO: 118284		DRWN: ZZHUANG		SERIES	
CHKD: GLI04		REV APPR: JDENG02		31402	
REV APPR: JDENG02		MATERIAL NUMBER		CUSTOMER	
T		SD-31402-211		GENERAL MARKET	
		DOCUMENT NUMBER		DOC PART SHEET NUMBER	
		PSD 001		3 OF 9	

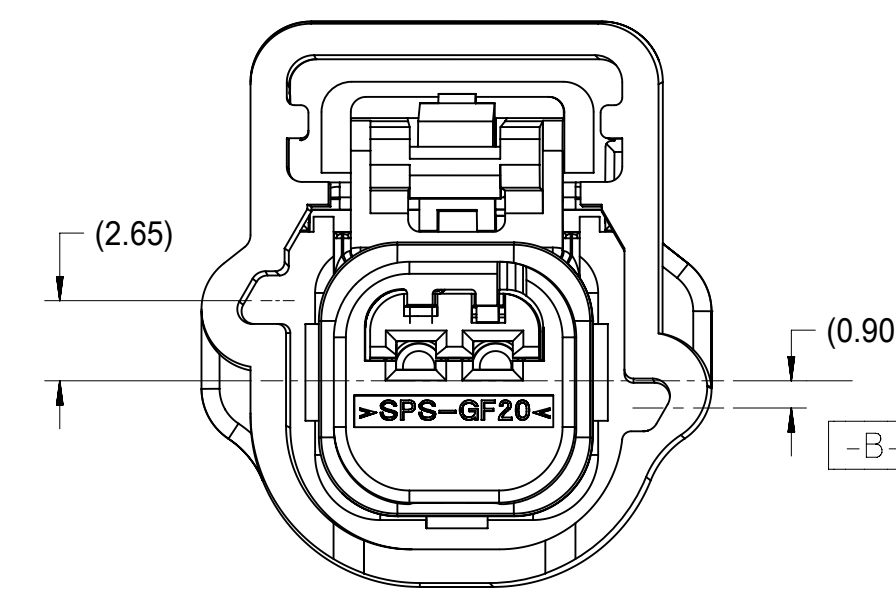
1X2



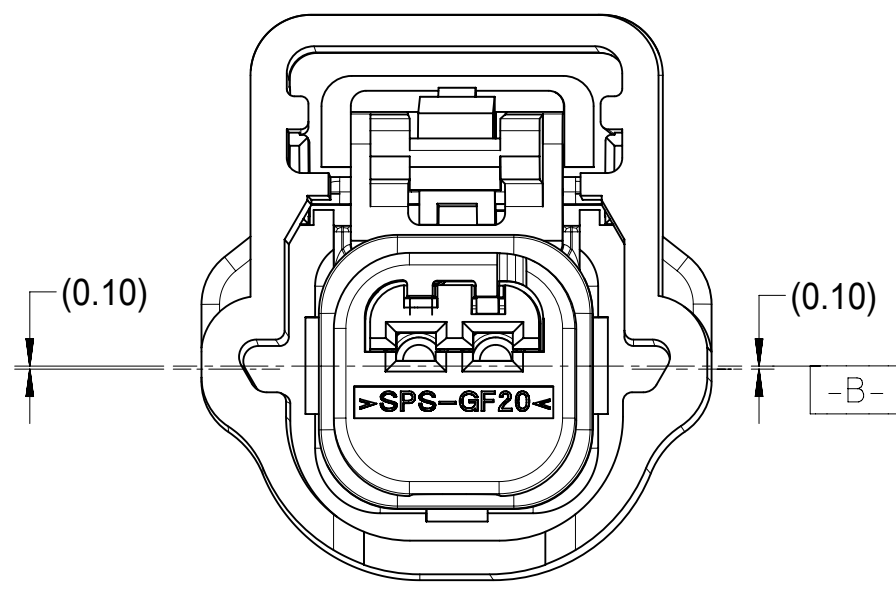
FRONT VIEW
POLARIZATION A



POLARIZATION B

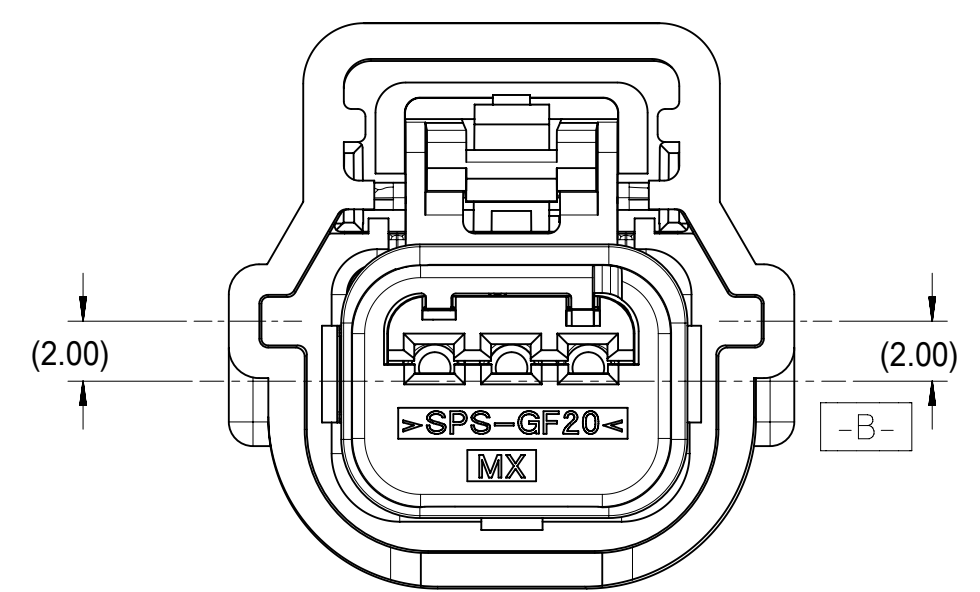


POLARIZATION C

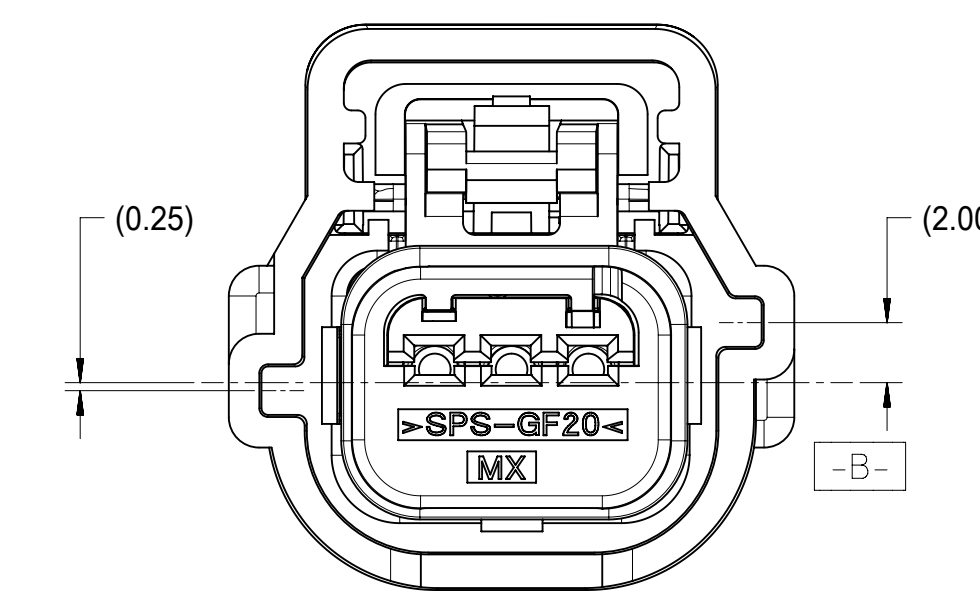


POLARIZATION D

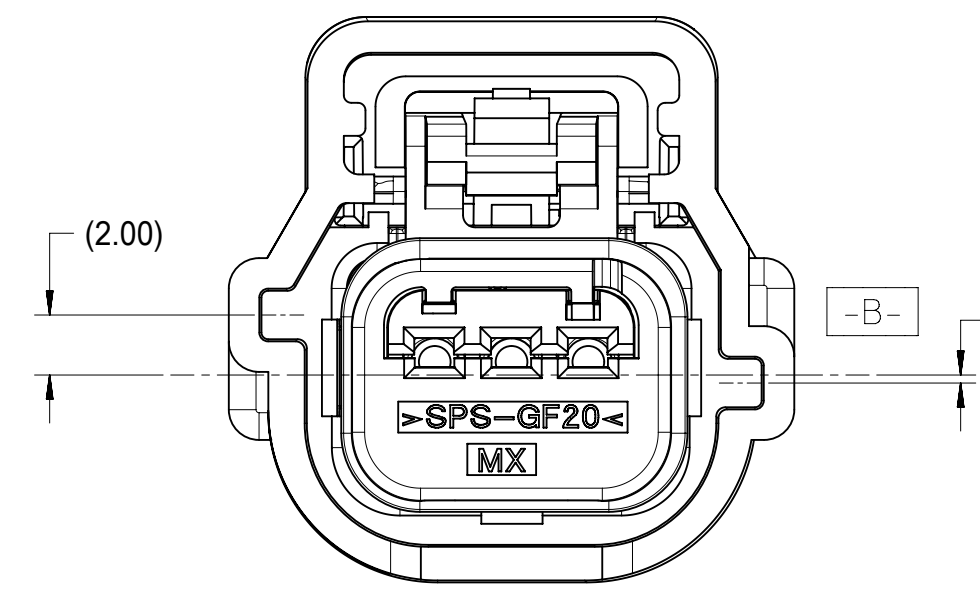
1X3



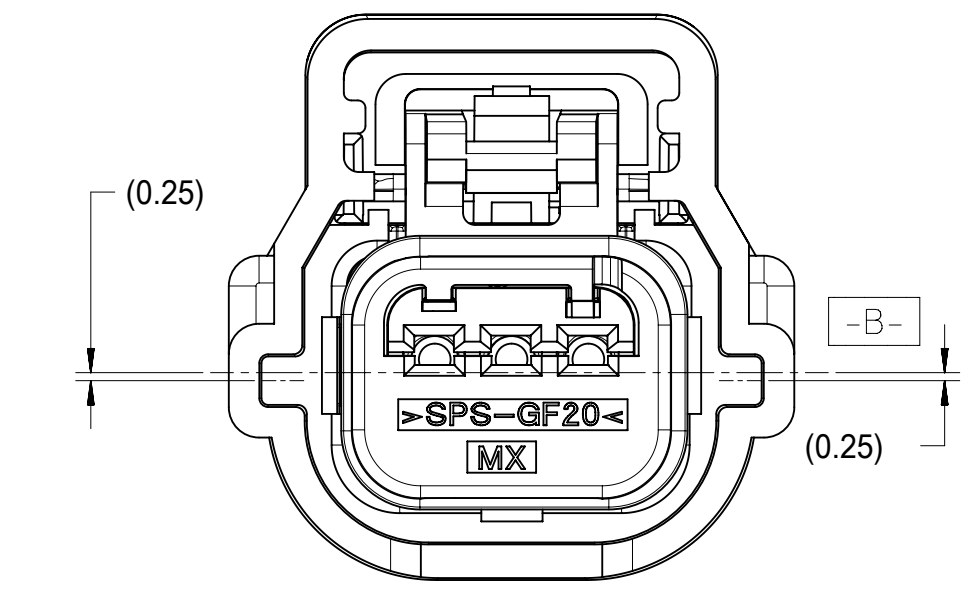
POLARIZATION A



POLARIZATION B

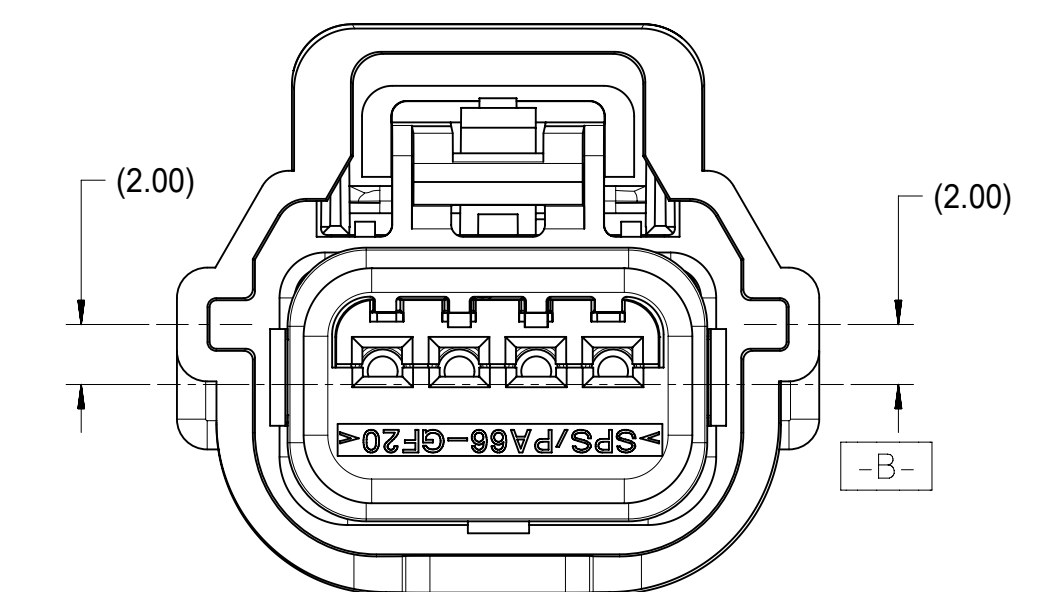


POLARIZATION C



POLARIZATION D

1X4

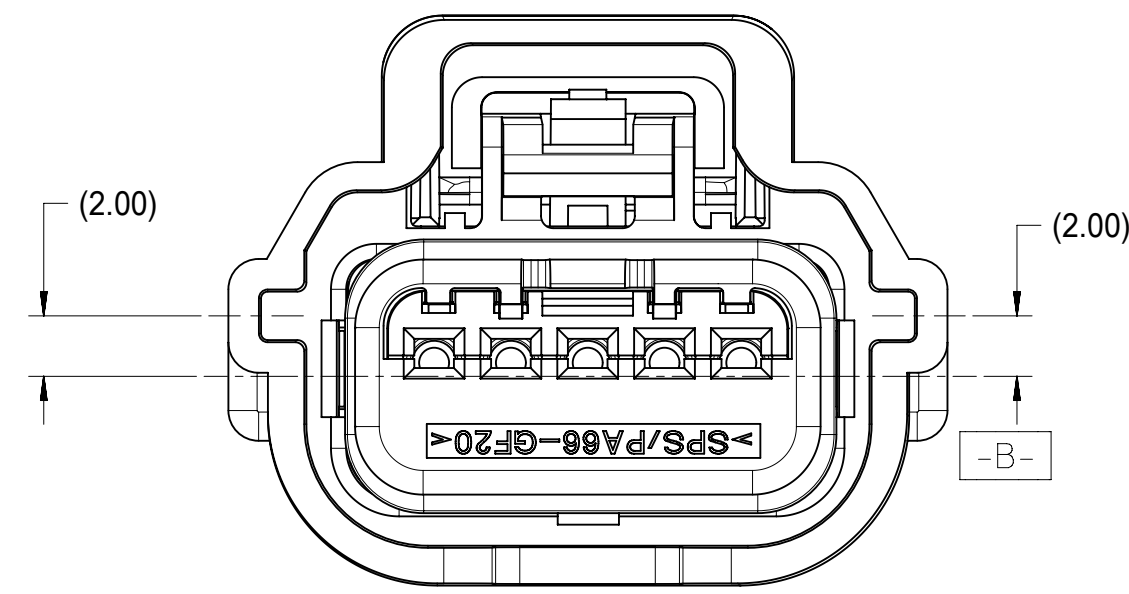


POLARIZATION A

KEY CONFIGURATIONS

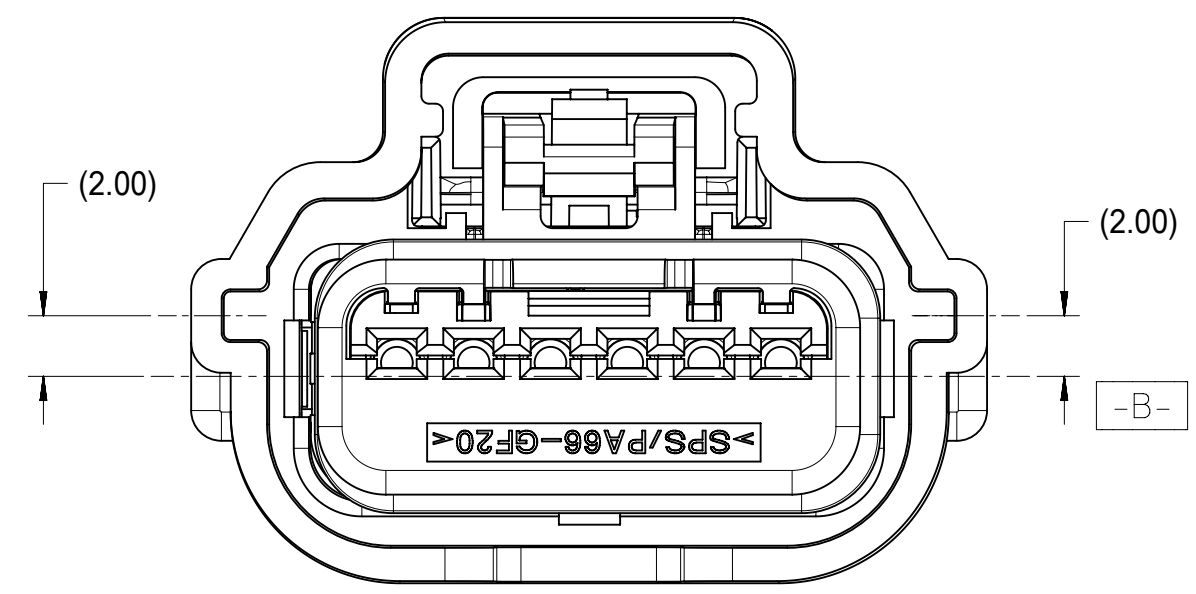
THIS DRAWING CONTAINS INFORMATION THAT IS PROPRIETARY TO MOLEX ELECTRONIC TECHNOLOGIES, LLC AND SHOULD NOT BE USED WITHOUT WRITTEN PERMISSION											
QUALITY SYMBOLS 		GENERAL TOLERANCES (UNLESS SPECIFIED) ANGULAR TOL ± 3.0 ° 4 PLACES ± 3 PLACES ± 2 PLACES ± 0.13 1 PLACE ± 0.3 0 PLACES ± DRAFT WHERE APPLICABLE MUST REMAIN WITHIN DIMENSIONS			DIMENSION UNITS: MM SCALE: 1:1					0.64 USCAR CONNECTOR SEALED SINGLE ROW ASSEMBLY	
EC NO: 118284 DRWN: ZZHUANG CHKD: GLI04 REV APPR: JDENG02		2017/06/15 2017/06/23 2017/06/23		DATE: 2017/01/19 DATE: 2017/06/23 DATE: 2017/01/23		PRODUCT CUSTOMER DRAWING			SERIES: 31402 MATERIAL NUMBER: SD-31402-211 CUSTOMER: GENERAL MARKET		
RELEASE STATUS: P1 RELEASE DATE: 23.06.2017 07:47:06		DRAWING SIZE: D THIRD ANGLE PROJECTION		DOCUMENT NUMBER: SD-31402-211 DOC TYPE: PSD DOC PART: 001 SHEET NUMBER: 4 OF 9							

1X5

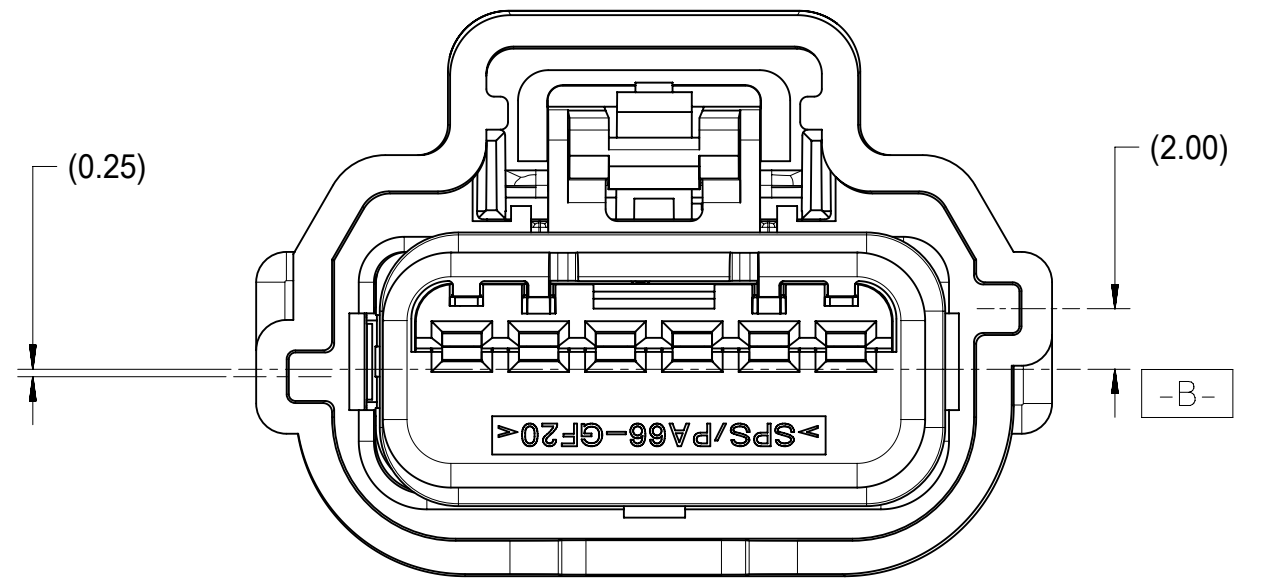


POLARIZATION A

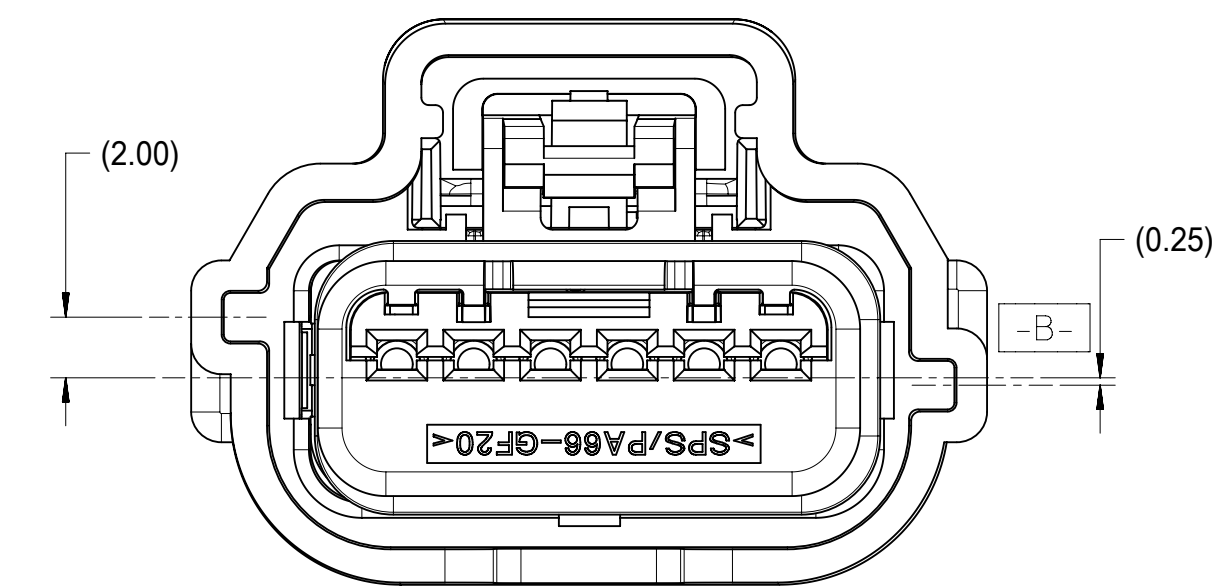
1X6



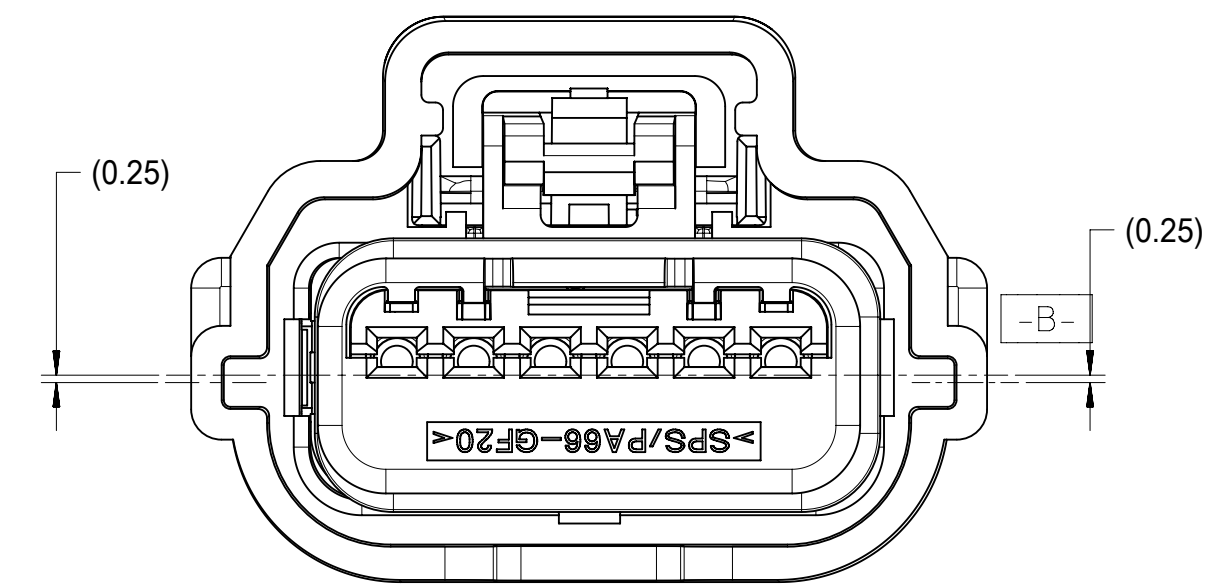
POLARIZATION A



POLARIZATION B

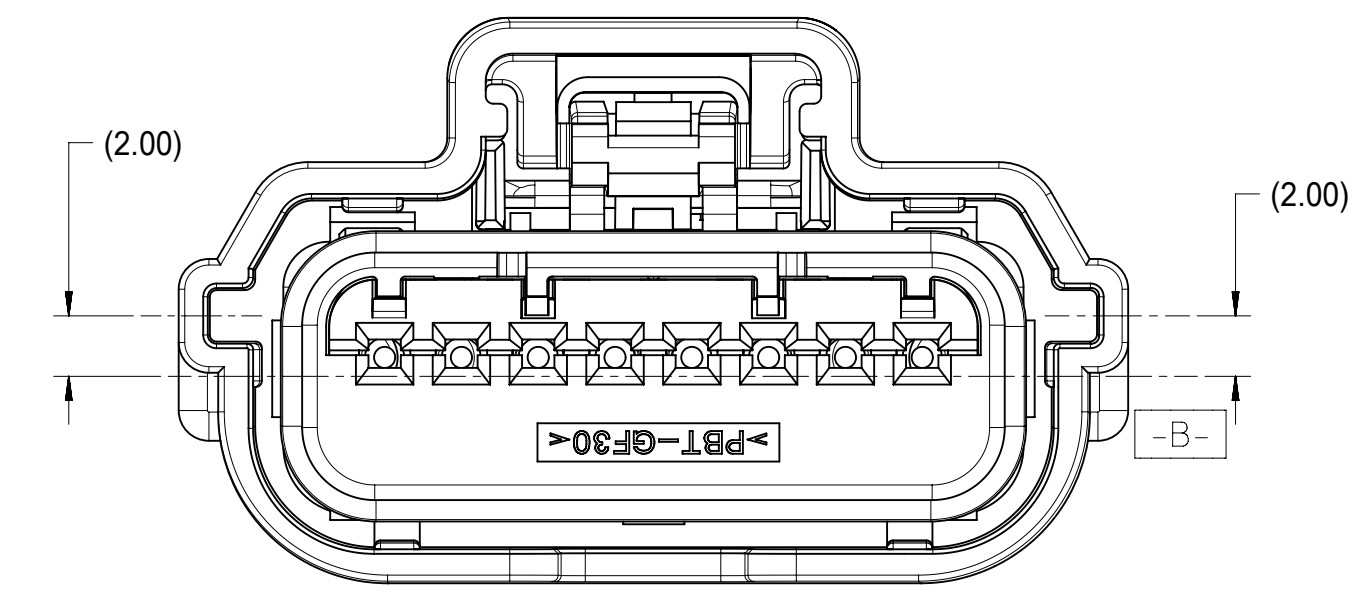


POLARIZATION C

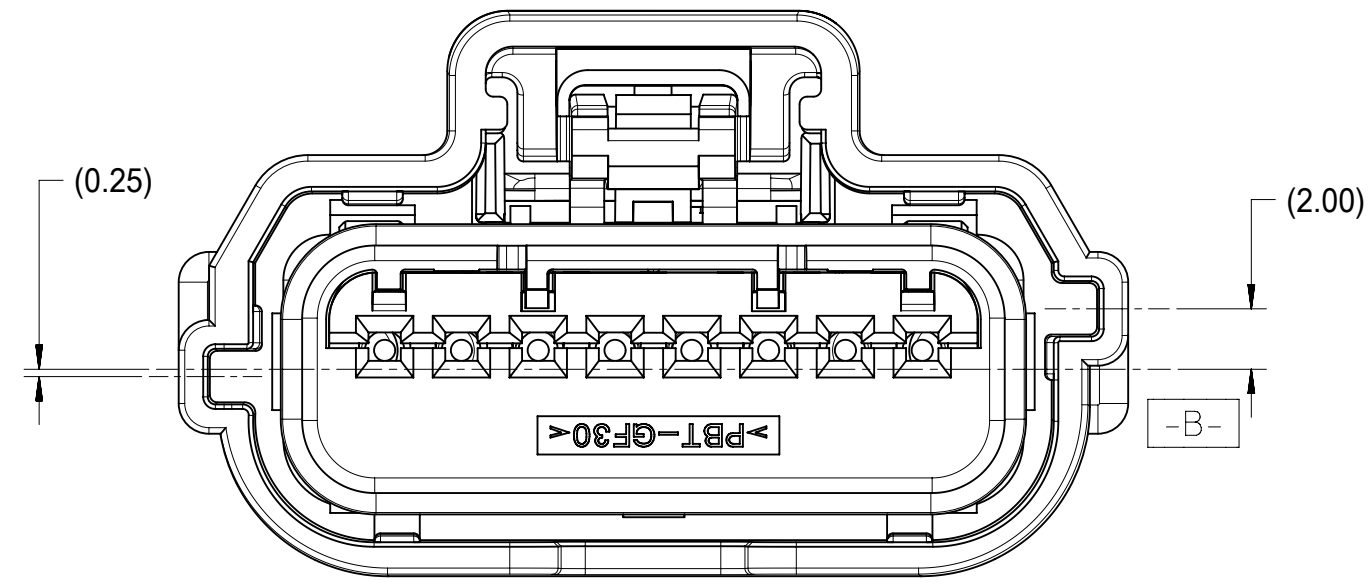


POLARIZATION D

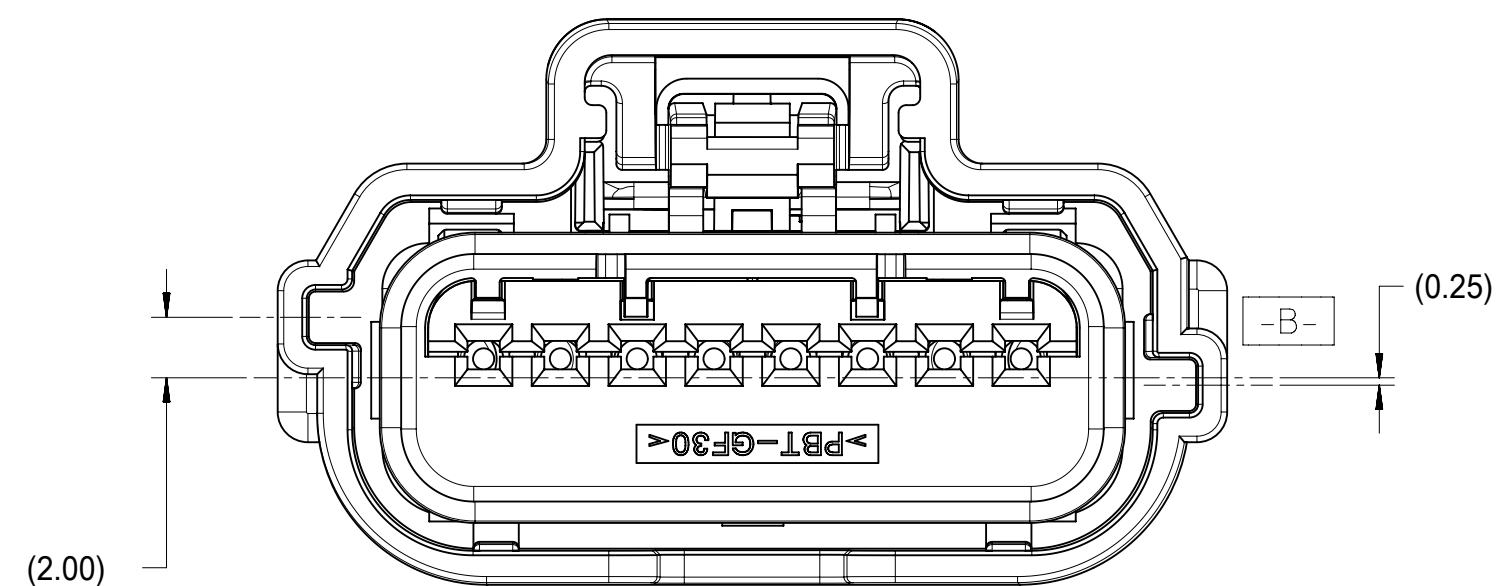
1X8



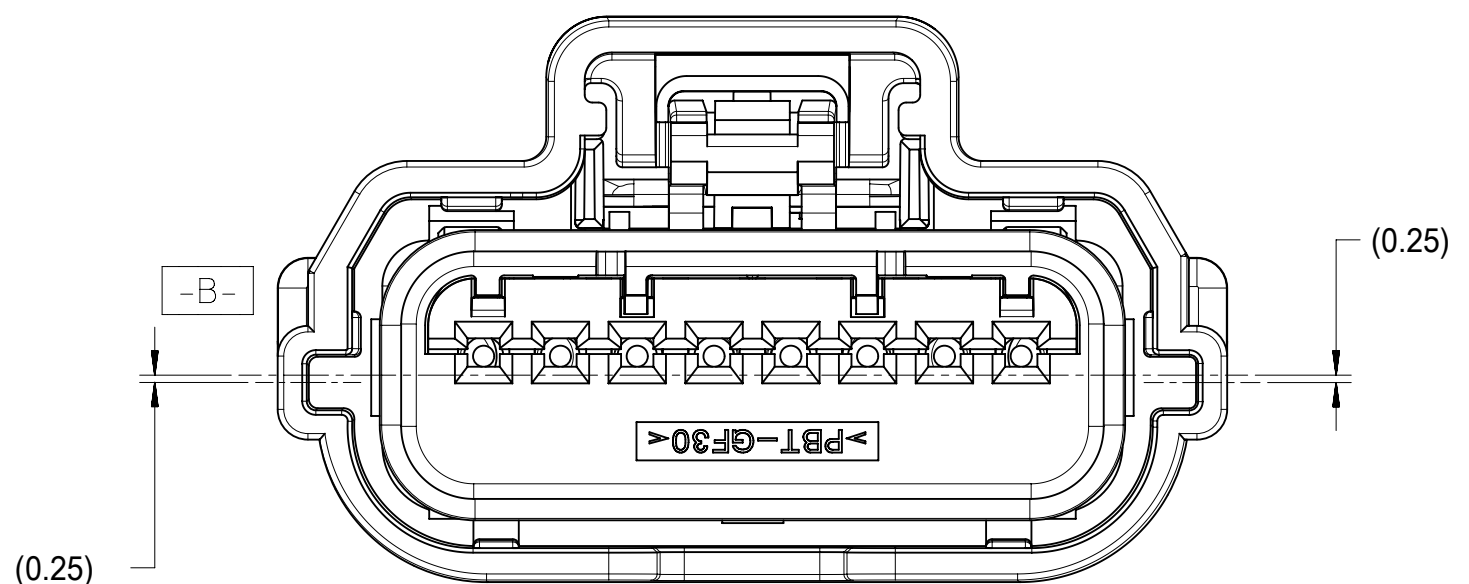
POLARIZATION A



POLARIZATION B



POLARIZATION C



POLARIZATION D

KEY CONFIGURATIONS

QUALITY SYMBOLS 		THIS DRAWING CONTAINS INFORMATION THAT IS PROPRIETARY TO MOLEX ELECTRONIC TECHNOLOGIES, LLC AND SHOULD NOT BE USED WITHOUT WRITTEN PERMISSION		GENERAL TOLERANCES (UNLESS SPECIFIED) DIMENSION UNITS: MM SCALE: 1:1 ANGULAR TOL ± 3.0 ° 4 PLACES ± 3 PLACES ± 2 PLACES ± 0.13 1 PLACE ± 0.3 0 PLACES ± DRAFT WHERE APPLICABLE MUST REMAIN WITHIN DIMENSIONS		DRWN BY: ZHUANG CHK'D: GLI04 APPR: JDENG02 DATE: 2017/06/23 DATE: 2017/06/23 DATE: 2017/06/23 DATE: 2017/01/19 DATE: 2017/06/23 DATE: 2017/01/23		molex 0.64 USCAR CONNECTOR SEALED SINGLE ROW ASSEMBLY PRODUCT CUSTOMER DRAWING		SERIES: 31402 MATERIAL NUMBER: SD-31402-211 CUSTOMER: GENERAL MARKET	
RELEASE STATUS	P1	RELEASE DATE	23.06.2017	07:47:06	DOCUMENT NUMBER SD-31402-211		DOC TYPE PSD		DOC PART SHEET NUMBER 001 5 OF 9		

PART NUMBER WITHOUT CPA	PART NUMBER WITH CPA	CLIPSLOT OPTION	ROW/ CIRCUITS	KEY*	MATTE SEAL COLOR	PERIMETER SEAL COLOR	CONNECTOR COLOR	WIDTH DIM (A)	MIN. PASS THRU DIA.	FEMALE TERMINAL SUPPLIER	USCAR FOOTPRINT DRAWING NO.	STATUS							
31402-2100	31402-2110	NO	1 X 2	A	ROYAL BLUE	BLUE	BLACK	16.88	(20.80)	TYCO OR MOLEX GET 0.64	064-S-002-1-Z02	TOOLED							
31402-2200	31402-2210			B			GRAY					TOOLED							
31402-2300	31402-2310			C			BROWN					TOOLED, COLOR UNAVAILABLE							
31402-2400	31402-2410			D			GREEN					TOOLED, COLOR UNAVAILABLE							
31402-2500	31402-2510			B			BLACK					TOOLED							
31402-2600	31402-2610			C			BLACK					TOOLED							
31402-2700	31402-2710			D			BLACK					TOOLED							
31403-2000	31403-2010			D			DK. GRAY					TOOLED							
31403-2100	31403-2110			A			BLACK					TOOLED							
31403-2200	31403-2210			B			GRAY					TOOLED							
31403-2300	31403-2310			C			BROWN					TOOLED, COLOR UNAVAILABLE							
31403-2400	31403-2410			D			GREEN					TOOLED, COLOR UNAVAILABLE							
31403-2500	31403-2510			B			BLACK					TOOLED							
31403-2600	31403-2610			C			BLACK					TOOLED							
31403-2700	31403-2710			D			BLACK					TOOLED							
31403-2800	31403-2810			C			NATURAL					TOOLED							
31403-2900	31403-2910			D			GRAY			TOOLED									
31404-2100	31404-2110			A			BLACK			NOT TOOLED									
31404-2200	31404-2210			B			GRAY			NOT TOOLED									
31404-2300	31404-2310			C			BROWN			NOT TOOLED									
31404-2400	31404-2410			D			GREEN			NOT TOOLED									
31404-2500	31404-2510			B			BLACK			NOT TOOLED									
31404-2600	31404-2610			C			BLACK			NOT TOOLED									
31404-2700	31404-2710			D			BLACK			NOT TOOLED									
31402-3100	31402-3110			NO			1 X 3			A		LIGHT BLUE	RUST RED	BLACK	18.70	(22.00)	TYCO OR MOLEX GET 0.64	064-S-003-1-Z01	TOOLED
31402-3200	31402-3210									B				GRAY					TOOLED
31402-3300	31402-3310									C				BROWN					TOOLED, COLOR UNAVAILABLE
31402-3400	31402-3410									D				GREEN					TOOLED, COLOR UNAVAILABLE
31402-3500	31402-3510									B				BLACK					TOOLED
31402-3600	31402-3610									C				BLACK					TOOLED
31402-3700	31402-3710									D				BLACK					TOOLED
31403-3000	31403-3010									D				DK. GRAY					TOOLED
31403-3100	31403-3110	A	BLACK		TOOLED														
31403-3200	31403-3210	B	GRAY		TOOLED														
31403-3300	31403-3310	C	BROWN		TOOLED, COLOR UNAVAILABLE														
31403-3400	31403-3410	D	GREEN		TOOLED, COLOR UNAVAILABLE														
31403-3500	31403-3510	B	BLACK		TOOLED														
31403-3600	31403-3610	C	BLACK		TOOLED														
31403-3700	31403-3710	D	BLACK		TOOLED														
31403-3800	31403-3810	C	NATURAL		TOOLED														
31404-3100	31404-3110	A	BLACK		TOOLED														
31404-3200	31404-3210	B	GRAY		TOOLED														
31404-3300	31404-3310	C	BROWN		TOOLED, COLOR UNAVAILABLE														
31404-3400	31404-3410	D	GREEN		TOOLED, COLOR UNAVAILABLE														
31404-3500	31404-3510	B	BLACK		TOOLED														
31404-3600	31404-3610	C	BLACK		TOOLED														
31404-3700	31404-3710	D	BLACK		TOOLED														
31402-4100	31402-4110	NO	1 X 4		A	TBD		TBD	BLACK	21.25	(22.34)			TYCO OR MOLEX GET 0.64			064-S-004-1-Z02		NOT TOOLED
31402-4200	31402-4210				B				GRAY										NOT TOOLED
31402-4300	31402-4310				C				BROWN										NOT TOOLED
31402-4400	31402-4410				D				GREEN										NOT TOOLED
31402-4500	31402-4510				B				BLACK										NOT TOOLED
31402-4600	31402-4610				C				BLACK										NOT TOOLED
31402-4700	31402-4710				D				BLACK										NOT TOOLED
31403-4100	31403-4110				A				BLACK										NOT TOOLED
31403-4200	31403-4210				B				GRAY										NOT TOOLED
31403-4300	31403-4310			C	BROWN		NOT TOOLED												
31403-4400	31403-4410			D	GREEN		NOT TOOLED												
31403-4500	31403-4510			B	BLACK		NOT TOOLED												
31403-4600	31403-4610			C	BLACK		NOT TOOLED												
31403-4700	31403-4710			D	BLACK		NOT TOOLED												
31404-4100	31404-4110			A	BLACK		NOT TOOLED												
31404-4200	31404-4210			B	GRAY		NOT TOOLED												
31404-4300	31404-4310			C	BROWN		NOT TOOLED												
31404-4400	31404-4410			D	GREEN		NOT TOOLED												
31404-4500	31404-4510			B	BLACK		NOT TOOLED												
31404-4600	31404-4610			C	BLACK		NOT TOOLED												
31404-4700	31404-4710			D	BLACK		NOT TOOLED												
31404-4100	31404-4110			A	BLACK		NOT TOOLED												
31404-4200	31404-4210			B	GRAY		NOT TOOLED												
31404-4300	31404-4310			C	BROWN		NOT TOOLED												
31404-4400	31404-4410			D	GREEN		NOT TOOLED												
31404-4500	31404-4510			B	BLACK		NOT TOOLED												
31404-4600	31404-4610			C	BLACK		NOT TOOLED												
31404-4700	31404-4710			D	BLACK		NOT TOOLED												

QUALITY SYMBOLS 	THIS DRAWING CONTAINS INFORMATION THAT IS PROPRIETARY TO MOLEX ELECTRONIC TECHNOLOGIES, LLC AND SHOULD NOT BE USED WITHOUT WRITTEN PERMISSION												
	EC NO: 118284 DRWN: ZZHUANG CHKD: GLI04 REV: APPR: JDENG02	2017/06/15	2017/06/23	2017/06/23	GENERAL TOLERANCES (UNLESS SPECIFIED)		DIMENSION UNITS	SCALE					
		2017/06/15	2017/06/23	2017/06/23	ANGULAR TOL ± 3.0 °		MM	1:1					
		4 PLACES ±		2 PLACES ± 0.13		1 PLACE ± 0.3		0 PLACES ±		DRAFT WHERE APPLICABLE MUST REMAIN WITHIN DIMENSIONS			
		DRWN BY		DATE		CHKD BY		DATE		APPR BY		DATE	
		TYE		2017/01/19		GLI04		2017/06/23		JDENG02		2017/01/23	
		SERIES		MATERIAL NUMBER		CUSTOMER		DRAWING SIZE		THIRD ANGLE PROJECTION		PRODUCT CUSTOMER DRAWING	
		31402				GENERAL MARKET		D					
		DOCUMENT NUMBER		DOC TYPE		DOC PART		SHEET NUMBER		31402		PSD 001 6 OF 9	
		SD-31402-211											

PART NUMBER WITHOUT CPA	PART NUMBER WITH CPA	CLIPSLLOT OPTION	ROW/ CIRCUITS	KEY*	MATTE SEAL COLOR	PERIMETER SEAL COLOR	CONNECTOR COLOR	WIDTH DIM (A)	MIN. PASS THRU DIA.	FEMALE TERMINAL SUPPLIER	USCAR FOOTPRINT DRAWING NO.	STATUS							
31402-5100	31402-5110	NO	1 X 5	A	TBD	TBD	BLACK	23.80	(24.28)	TYCO OR MOLEX GET 0.64	064-S-005-1-Z02	NOT TOOLED							
31402-5200	31402-5210			B			GRAY					NOT TOOLED							
31402-5300	31402-5310			C			BROWN					NOT TOOLED							
31402-5400	31402-5410			D			GREEN					NOT TOOLED							
31402-5500	31402-5510			B			BLACK					NOT TOOLED							
31402-5600	31402-5610			C			BLACK					NOT TOOLED							
31402-5700	31402-5710			D			BLACK					NOT TOOLED							
31403-5100	31403-5110			A			BLACK					NOT TOOLED							
31403-5200	31403-5210			B			GRAY					NOT TOOLED							
31403-5300	31403-5310			C			BROWN					NOT TOOLED							
31403-5400	31403-5410			D			GREEN					NOT TOOLED							
31403-5500	31403-5510			B			BLACK					NOT TOOLED							
31403-5600	31403-5610			C			BLACK			NOT TOOLED									
31403-5700	31403-5710			D			BLACK			NOT TOOLED									
31404-5100	31404-5110			A			BLACK			NOT TOOLED									
31404-5200	31404-5210			B			GRAY			NOT TOOLED									
31404-5300	31404-5310			C			BROWN			NOT TOOLED									
31404-5400	31404-5410			D			GREEN			NOT TOOLED									
31404-5500	31404-5510			B			BLACK			NOT TOOLED									
31404-5600	31404-5610			C			BLACK			NOT TOOLED									
31404-5700	31404-5710			D			BLACK			NOT TOOLED									
31402-6100	31402-6110			NO			1 X 6			A		ROYAL BLUE	LIGHT BLUE	BLACK	26.33	(26.82)	TYCO OR MOLEX GET 0.64	064-S-006-1-Z02	TOOLED
31402-6200	31402-6210									B				GRAY					TOOLED
31402-6300	31402-6310									C				BROWN					TOOLED, COLOR UNAVAILABLE
31402-6400	31402-6410	D	GREEN		TOOLED, COLOR UNAVAILABLE														
31402-6500	31402-6510	B	BLACK		TOOLED														
31402-6600	31402-6610	C	BLACK		TOOLED														
31402-6700	31402-6710	D	BLACK		TOOLED														
31403-6100	31403-6110	A	BLACK		TOOLED														
31403-6200	31403-6210	B	GRAY		TOOLED														
31403-6300	31403-6310	C	BROWN		TOOLED, COLOR UNAVAILABLE														
31403-6400	31403-6410	D	GREEN		TOOLED, COLOR UNAVAILABLE														
31403-6500	31403-6510	B	BLACK		TOOLED														
31403-6600	31403-6610	C	BLACK		TOOLED														
31403-6700	31403-6710	D	BLACK		TOOLED														
31404-6100	31404-6110	A	BLACK		TOOLED														
31404-6200	31404-6210	B	GRAY		TOOLED														
31404-6300	31404-6310	C	BROWN		TOOLED, COLOR UNAVAILABLE														
31404-6400	31404-6410	D	GREEN		TOOLED, COLOR UNAVAILABLE														
31404-6500	31404-6510	B	BLACK		TOOLED														
31404-6600	31404-6610	C	BLACK		TOOLED														
31404-6700	31404-6710	D	BLACK		TOOLED														
31404-6800	31404-6810	C	NATURAL		TOOLED														

QUALITY SYMBOLS 	THIS DRAWING CONTAINS INFORMATION THAT IS PROPRIETARY TO MOLEX ELECTRONIC TECHNOLOGIES, LLC AND SHOULD NOT BE USED WITHOUT WRITTEN PERMISSION				
	EC NO: 118284 DRWN: ZZHUANG CHKD: GLI04 REV: APPR: JDENG02	2017/06/15 2017/06/23 2017/06/23	GENERAL TOLERANCES (UNLESS SPECIFIED) DIMENSION UNITS: MM SCALE: 1:1 DRWN BY: TYE DATE: 2017/01/19 ANGULAR TOL $\pm 3.0^\circ$ 4 PLACES \pm 3 PLACES \pm 2 PLACES ± 0.13 1 PLACE ± 0.3 0 PLACES \pm DRAFT WHERE APPLICABLE MUST REMAIN WITHIN DIMENSIONS	DIMENSION UNITS: MM SCALE: 1:1 DRWN BY: TYE DATE: 2017/01/19 CHKD BY: GLI04 DATE: 2017/06/23 APPR BY: JDENG02 DATE: 2017/01/23 DRAWING SIZE: D THIRD ANGLE PROJECTION	 0.64 USCAR CONNECTOR SEALED SINGLE ROW ASSEMBLY PRODUCT CUSTOMER DRAWING SERIES: 31402 MATERIAL NUMBER: GLI04 CUSTOMER: GENERAL MARKET DOCUMENT NUMBER: SD-31402-211 DOC TYPE: PSD DOC PART: 001 SHEET NUMBER: 7 OF 9
	RELEASE STATUS: P1 RELEASE DATE: 23.06.2017 07:47:06				

PART NUMBER WITHOUT CPA	PART NUMBER WITH CPA	CLIPSLOT OPTION	ROW/ CIRCUITS	KEY*	MATTE SEAL COLOR	PERIMETER SEAL COLOR	CONNECTOR COLOR	WIDTH DIM (A)	MIN. PASS THRU DIA.	FEMALE TERMINAL SUPPLIER	USCAR FOOTPRINT DRAWING NO.	STATUS
31402-8100	31402-8110	NO	1 X 8	A	TBD	TBD	BLACK	31.25	(31.90)	TYCO OR MOLEX GET 0.64	064-S-008-1-Z02	NOT TOOLED
31402-8200	31402-8210			B			GRAY					NOT TOOLED
31402-8300	31402-8310			C			BROWN					NOT TOOLED
31402-8400	31402-8410			D			GREEN					NOT TOOLED
31402-8500	31402-8510			B			BLACK					NOT TOOLED
31402-8600	31402-8610			C			BLACK					NOT TOOLED
31402-8700	31402-8710			D			BLACK					NOT TOOLED
31403-8100	31403-8110			A			BLACK					NOT TOOLED
31403-8200	31403-8210			B			GRAY					NOT TOOLED
31403-8300	31403-8310			C			BROWN					NOT TOOLED
31403-8400	31403-8410			D			GREEN					NOT TOOLED
31403-8500	31403-8510			B			BLACK					NOT TOOLED
31403-8600	31403-8610			C			BLACK			NOT TOOLED		
31403-8700	31403-8710			D			BLACK			NOT TOOLED		
31404-8100	31404-8110			A			BLACK			REFER TO SD-31404-811		INFORMATION REFER TO SD-31404-811
31404-8200	31404-8210			B			LT. GRAY					
31404-8300	31404-8310			C			DK. GRAY					
31404-8400	31404-8410			D			TBD					

ADDITIONAL CAVITY PLUG CONFIGURATIONS:

ROW/ CIRCUITS	FEMALE TERMINAL	MOLEX P/N WITH CPA	MOLEX P/N WITHOUT CPA	KEY OPTION	CLIPSLOT OPTION	COLOR	CIRCUIT NUMBER: "0" INDICATED PLUG LOCATION						TOTAL CIRCUITS PLUGGED	STATUS
							1	2	3	4	5	6		
1X6	TYCO/MOLEX GET	31402-6110	31402-6100	A	NO	BLACK							0	TOOLED
		31402-6111	31402-6101	A	NO	BLACK	0	0	0	0	0	0	6	TOOLED
		31402-6112	31402-6102	A	NO	BLACK	0	0					2	TOOLED
		31402-6113	31402-6103	A	NO	BLACK		0					1	TOOLED
		31402-6114	31402-6104	A	NO	BLACK	0	0	0	0			4	TOOLED
		31402-6115	31402-6105	A	NO	BLACK			0		0	0	3	TOOLED
		31402-6118	31402-6108	A	NO	BLACK					0		1	TOOLED
		31402-6119	31402-6109	A	NO	BLACK				0			1	TOOLED
		31402-6131	31402-6121	A	NO	BLACK					0		1	TOOLED
		31402-6150	31402-6140	A	YES	BLACK							0	TOOLED
	MOLEX 0.64	31403-6110	31403-6100	A	NO	BLACK							0	TOOLED
		31403-6111	31403-6101	A	NO	BLACK	0	0	0	0	0	0	6	TOOLED
		31403-6112	31403-6102	A	NO	BLACK			0				1	TOOLED
		31403-6113	31403-6103	A	NO	BLACK	0	0	0		0		4	TOOLED
		31403-6114	31403-6104	A	NO	BLACK					0	0	2	TOOLED
		31403-6212	31403-6202	B	NO	GRAY				0	0	0	3	TOOLED
	YAZAKI KAIZEN 0.64 TE GEN Y 0.64 JST AIT 0.64	31404-6110	31404-6100	A	NO	BLACK							0	TOOLED
		31404-6111	31404-6101	A	NO	BLACK	0	0	0	0	0	0	6	TOOLED
		31404-6112	31404-6102	A	NO	BLACK	0		0				2	TOOLED
		31404-6113	31404-6103	A	NO	BLACK	0					0	2	TOOLED
		31404-6116	31404-6106	A	NO	BLACK						0	1	TOOLED
		31404-6117	31404-6107	A	NO	BLACK	0		0			0	3	TOOLED
		31404-6118	31404-6108	A	NO	BLACK	0						1	TOOLED
		31404-6119	31404-6109	A	NO	BLACK				0	0		3	TOOLED
31404-6132		31404-6122	A	NO	BLACK				0			1	TOOLED	
31404-6213		31404-6203	B	NO	GRAY	0					0	2	TOOLED	
31404-6214	31404-6204	B	NO	GRAY						0	1	TOOLED		
31404-6812	31404-6802	C	NO	NATURAL				0	0	0	3	TOOLED		
1X3	TYCO/MOLEX GET	31402-3113	31402-3103	A	NO	BLACK			0			1	TOOLED	
	MOLEX 0.64	31403-3132	31403-3122	A	NO	GRAY		0				1	TOOLED	
	YAZAKI KAIZEN 0.64 TE GEN Y 0.64 JST AIT 0.64	31404-3112	31404-3102	A	NO	BLACK		0				1	OK TO TOOL	

QUALITY SYMBOLS 	THIS DRAWING CONTAINS INFORMATION THAT IS PROPRIETARY TO MOLEX ELECTRONIC TECHNOLOGIES, LLC AND SHOULD NOT BE USED WITHOUT WRITTEN PERMISSION												
	EC NO: 118284 DRWN: ZZHUANG CHKD: GLI04 REV APPR: JDENG02	GENERAL TOLERANCES (UNLESS SPECIFIED)				DIMENSION UNITS	SCALE	 0.64 USCAR CONNECTOR SEALED SINGLE ROW ASSEMBLY PRODUCT CUSTOMER DRAWING SERIES: 31402 MATERIAL NUMBER: CUSTOMER GENERAL MARKET DOCUMENT NUMBER: SD-31402-211 DOC TYPE: PSD DOC PART: 001 SHEET NUMBER: 8 OF 9					
		ANGULAR TOL ± 3.0 °				MM	1:1						
		4 PLACES ±				DRWN BY	DATE						
		3 PLACES ±				CHKD BY	DATE						
		2 PLACES ± 0.13				GLI04	2017/06/23						
	1 PLACE ± 0.3				APPBY	DATE							
	0 PLACES ±				JDENG02	2017/01/23							
	DRAFT WHERE APPLICABLE MUST REMAIN WITHIN DIMENSIONS				DRAWING SIZE	THIRD ANGLE PROJECTION							
					D								

PART NUMBER WITHOUT CPA	PART NUMBER WITH CPA	CLIPSLOT OPTION	ROW/ CIRCUITS	KEY*	MATTE SEAL COLOR	PERIMETER SEAL COLOR	CONNECTOR COLOR	WIDTH DIM (A)	MIN. PASS THRU DIA.	FEMALE TERMINAL SUPPLIER	USCAR FOOTPRINT DRAWING NO.	STATUS							
31402-7100	31402-7110	NO	1 X 6	A	ROYAL BLUE	LIGHT BLUE	BLACK	26.33	(26.82)	TYCO OR MOLEX GET 0.64	064-S-006-1-Z02	TOOLED							
31402-7200	31402-7210			B			GRAY					TOOLED							
31402-7300	31402-7310			C			BROWN					TOOLED, COLOR UNAVAILABLE							
31402-7400	31402-7410			D			GREEN					TOOLED, COLOR UNAVAILABLE							
31402-7500	31402-7510			B			BLACK					TOOLED							
31402-7600	31402-7610			C			BLACK					TOOLED							
31402-7700	31402-7710			D			BLACK					TOOLED							
31403-7100	31403-7110			A			BLACK					TOOLED							
31403-7200	31403-7210			B			GRAY					TOOLED							
31403-7300	31403-7310			C			BROWN					TOOLED, COLOR UNAVAILABLE							
31403-7400	31403-7410			D			GREEN					TOOLED, COLOR UNAVAILABLE							
31403-7500	31403-7510			B			BLACK					TOOLED							
31403-7600	31403-7610			C			BLACK			TOOLED									
31403-7700	31403-7710			D			BLACK			TOOLED									
31404-7100	31404-7110			A			BLACK			TOOLED									
31404-7200	31404-7210			B			GRAY			TOOLED									
31404-7300	31404-7310			C			BROWN			TOOLED, COLOR UNAVAILABLE									
31404-7400	31404-7410			D			GREEN			TOOLED, COLOR UNAVAILABLE									
31404-7500	31404-7510			B			BLACK			TOOLED									
31404-7600	31404-7610			C			BLACK			TOOLED									
31404-7700	31404-7710			D			BLACK			TOOLED									
31404-7800	31404-7810			C			NATURAL			TOOLED									
																	YAZAKI KAIZEN 0.64 TE GEN Y 0.64 JST AIT 0.64		TOOLED

ADDITIONAL CAVITY PLUG CONFIGURATIONS:

ROW/ CIRCUITS	FEMALE TERMINAL	MOLEX P/N WITH CPA	MOLEX P/N WITHOUT CPA	KEY OPTION	CLIPSLOT OPTION	COLOR	CIRCUIT NUMBER: "0" INDICATED PLUG LOCATION						TOTAL CIRCUITS PLUGGED	STATUS
							1	2	3	4	5	6		
1X6	TYCO/MOLEX GET	31402-7110	31402-7100	A	NO	BLACK							0	TOOLED
		31402-7111	31402-7101	A	NO	BLACK	0	0	0	0	0	0	6	TOOLED
		31402-7112	31402-7102	A	NO	BLACK	0	0					2	TOOLED
		31402-7113	31402-7103	A	NO	BLACK		0					1	TOOLED
		31402-7114	31402-7104	A	NO	BLACK	0	0		0			4	TOOLED
		31402-7115	31402-7105	A	NO	BLACK			0		0	0	3	TOOLED
		31402-7118	31402-7108	A	NO	BLACK					0		1	TOOLED
		31402-7119	31402-7109	A	NO	BLACK			0				1	TOOLED
		31402-7131	31402-7121	A	NO	BLACK				0			1	TOOLED
		31402-7150	31402-7140	A	YES	BLACK							0	TOOLED
		31403-7110	31403-7100	A	NO	BLACK							0	TOOLED
		31403-7111	31403-7101	A	NO	BLACK	0	0	0	0	0	0	6	TOOLED
	31403-7112	31403-7102	A	NO	BLACK			0				1	TOOLED	
	31403-7113	31403-7103	A	NO	BLACK	0	0	0		0		4	TOOLED	
	31403-7114	31403-7104	A	NO	BLACK					0	0	2	TOOLED	
	31403-7212	31403-7202	B	NO	GRAY				0	0	0	3	TOOLED	
	31404-7110	31404-7100	A	NO	BLACK							0	TOOLED	
	31404-7111	31404-7101	A	NO	BLACK	0	0	0	0	0	0	6	TOOLED	
	31404-7112	31404-7102	A	NO	BLACK	0		0				2	TOOLED	
	31404-7113	31404-7103	A	NO	BLACK	0					0	2	TOOLED	
	31404-7116	31404-7106	A	NO	BLACK						0	1	TOOLED	
	31404-7117	31404-7107	A	NO	BLACK	0		0			0	3	TOOLED	
	31404-7118	31404-7108	A	NO	BLACK	0						1	TOOLED	
	31404-7119	31404-7109	A	NO	BLACK			0		0	0	3	TOOLED	
	31404-7132	31404-7122	A	NO	BLACK			0				1	TOOLED	
	31404-7213	31404-7203	B	NO	GRAY	0					0	2	TOOLED	
	31404-7214	31404-7204	B	NO	GRAY						0	1	TOOLED	
	31404-7812	31404-7802	C	NO	NATURAL				0	0	0	3	TOOLED	

QUALITY SYMBOLS 	THIS DRAWING CONTAINS INFORMATION THAT IS PROPRIETARY TO MOLEX ELECTRONIC TECHNOLOGIES, LLC AND SHOULD NOT BE USED WITHOUT WRITTEN PERMISSION												
	EC NO: 118284 DRWN: ZZHUANG CHKD: GLI04 REV: APPR: JDENG02	2017/06/15	2017/06/23	2017/06/23	GENERAL TOLERANCES (UNLESS SPECIFIED)		DIMENSION UNITS	SCALE					0.64 USCAR CONNECTOR SEALED SINGLE ROW ASSEMBLY
							MM	1:1					
			ANGULAR TOL ± 3.0 °		DRWN BY		DATE		PRODUCT CUSTOMER DRAWING				SERIES: 31402 MATERIAL NUMBER: SEE CHART CUSTOMER: GENERAL MARKET
			4 PLACES ±		TYE		2017/01/19						
			3 PLACES ±		CHK'D BY		DATE		DOCUMENT NUMBER: SD-31402-211 DOC TYPE: PSD DOC PART: 001 SHEET NUMBER: 9 OF 9				
			2 PLACES ± 0.13		GLI04		2017/06/23						
			1 PLACE ± 0.3		APPR BY		DATE		DRAFT WHERE APPLICABLE MUST REMAIN WITHIN DIMENSIONS				
			0 PLACES ±		JDENG02		2017/01/23						
			DRAWING SIZE		THIRD ANGLE PROJECTION		A1						