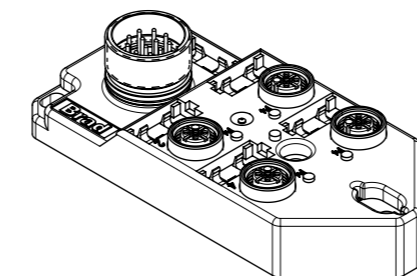
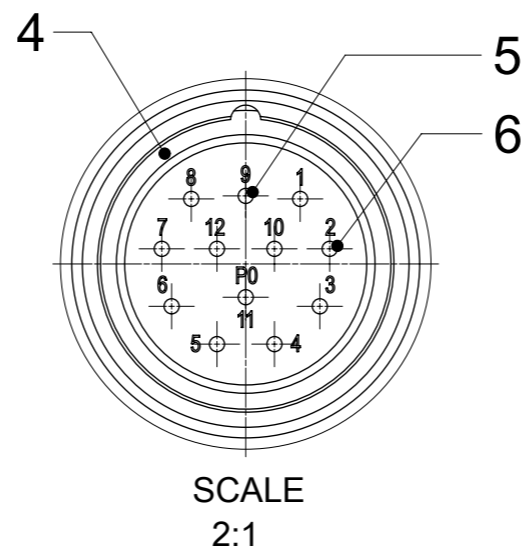
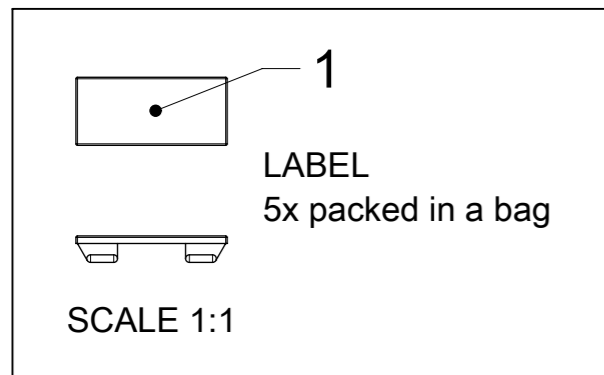


TABLE 1

MOLEX P/N	ENG. NO.	LED
1202480055	BTB4010-FBC	NO
1202480056	BTB401P-FBC	YES
1202480132	BTB401N-FBC	YES

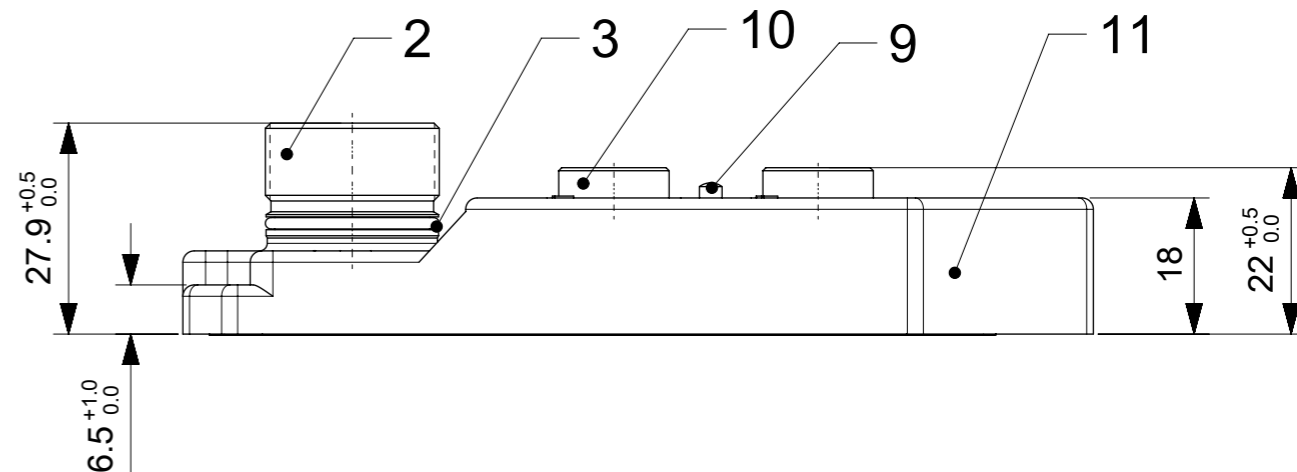
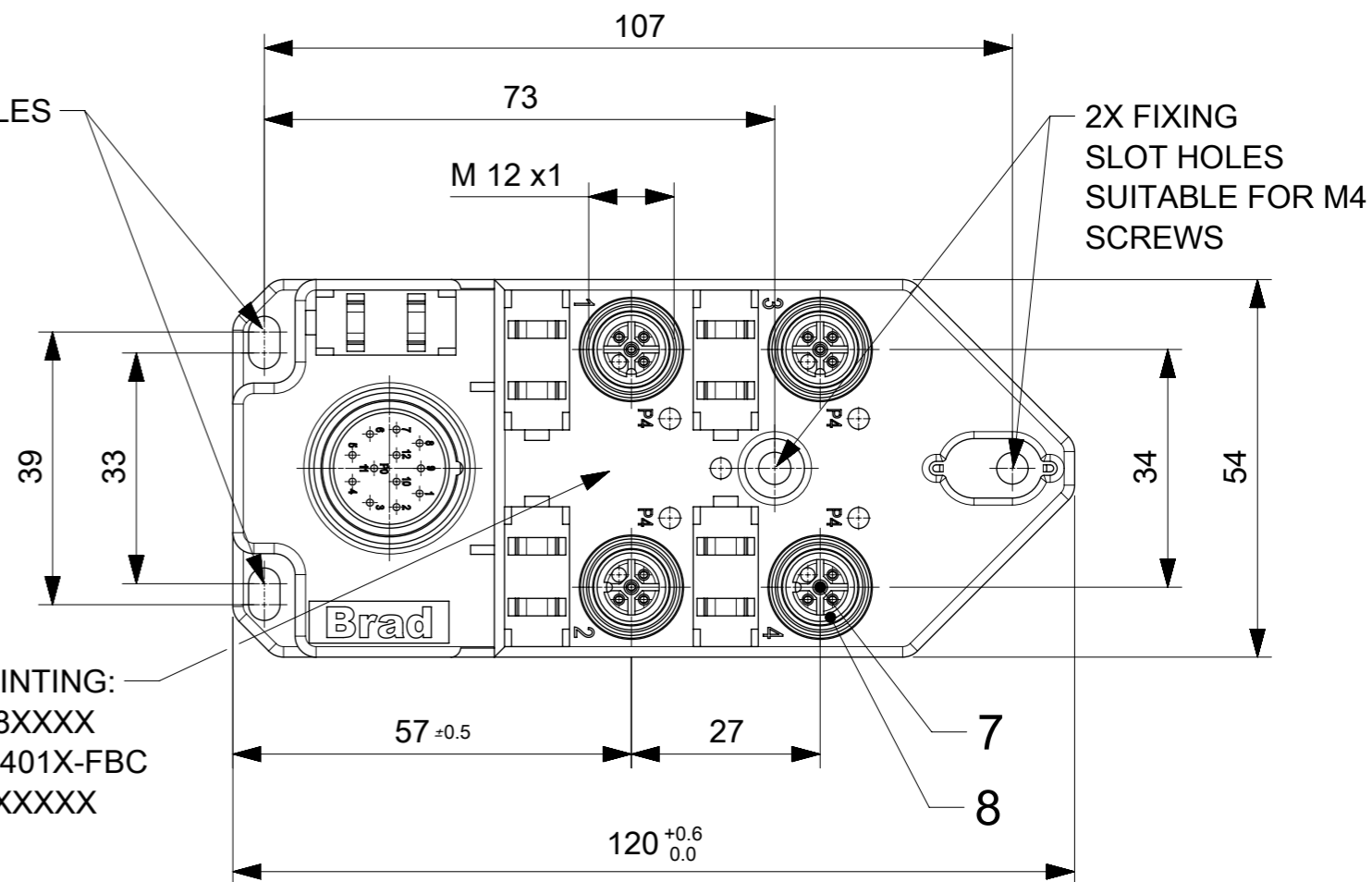
TABLE 2 BILL OF MATERIAL

ITEM	DESCRIPTION	MATERIAL	FINISH
1	LABEL	ABS	WHITE
2	SHELL	BRASS	NICKEL PLATED
3	O-RING	NBR	BLACK
4	O-RING	NBR	BLACK
5	CONTACT	BRASS	GOLD OVER NICKEL
6	CONTACT	BRASS	GOLD OVER NICKEL
7	CONTACT	BRONZE	GOLD OVER NICKEL
8	O-RING	FPM	RED
9	LED	NO LED = PA	BLACK
		WITH LED = PA	TRANSPARENT
10	SHELL	BRASS	NICKEL PLATED
11	HOUSING	PBT	BLACK



2X FIXING SLOT HOLES
SUITABLE FOR M4
SCREWS

LASER PRINTING:
PN: 120248XXXX
ENG.: BTB401X-FBC
PO: XXXXXXXXXX



GENERAL CHARACTERISTICS:

ELECTRICAL AND MECHANICAL DATA ACC. TO IEC 61076-2-101

NOMINAL VOLTAGE: 10-30 V DC
 AMPERE RATING: 4 A PER PORT / 12 A MAX
 AMPERE RATING WITH UL REGISTRATION: 3 A PER PORT / 9 A MAX
 IP DEGREE OF PROTECTION: IP 67
 TEMPERATURE RANGE: -25°C to + 85°C

SYMBOLS	THIS DRAWING CONTAINS INFORMATION THAT IS PROPRIETARY TO MOLEX ELECTRONIC TECHNOLOGIES, LLC AND SHOULD NOT BE USED WITHOUT WRITTEN PERMISSION	
DIMENSION UNITS	SCALE	CURRENT REV DESC: LASER PRINTING ADDED
▽ = 0	mm	molex MPIS M12 PNP NPN NOS 4P 4PT 12P M23 BK XM STA SINGLE
▽ = 0	GENERAL TOLERANCES (UNLESS SPECIFIED)	
▽ = 0	ANGULAR TOL ± °	EC NO: 172073
▽ = 0	4 PLACES ±	DRWN: BBRAUCH 2018/01/31
▽ = 0	3 PLACES ±	CHK'D: ULETTENMEIER 2018/02/08
▽ = 0	2 PLACES ±	APPR: RSILLER 2018/02/09
▽ = 0	1 PLACE ±	INITIAL REVISION:
▽ = 0	0 PLACES ± 0.25	DRWN: AAHLERS 2015/04/02
▽ = 0	DRAFT WHERE APPLICABLE MUST REMAIN WITHIN DIMENSIONS	APPR: JALEXANDER 2015/05/20
▽ = 0	THIRD ANGLE PROJECTION	DRAWING SERIES MATERIAL NUMBER CUSTOMER SHEET NUMBER
	A3-SIZE	120248 SEE TABLE 1 GENERAL MARKET 1 OF 2

