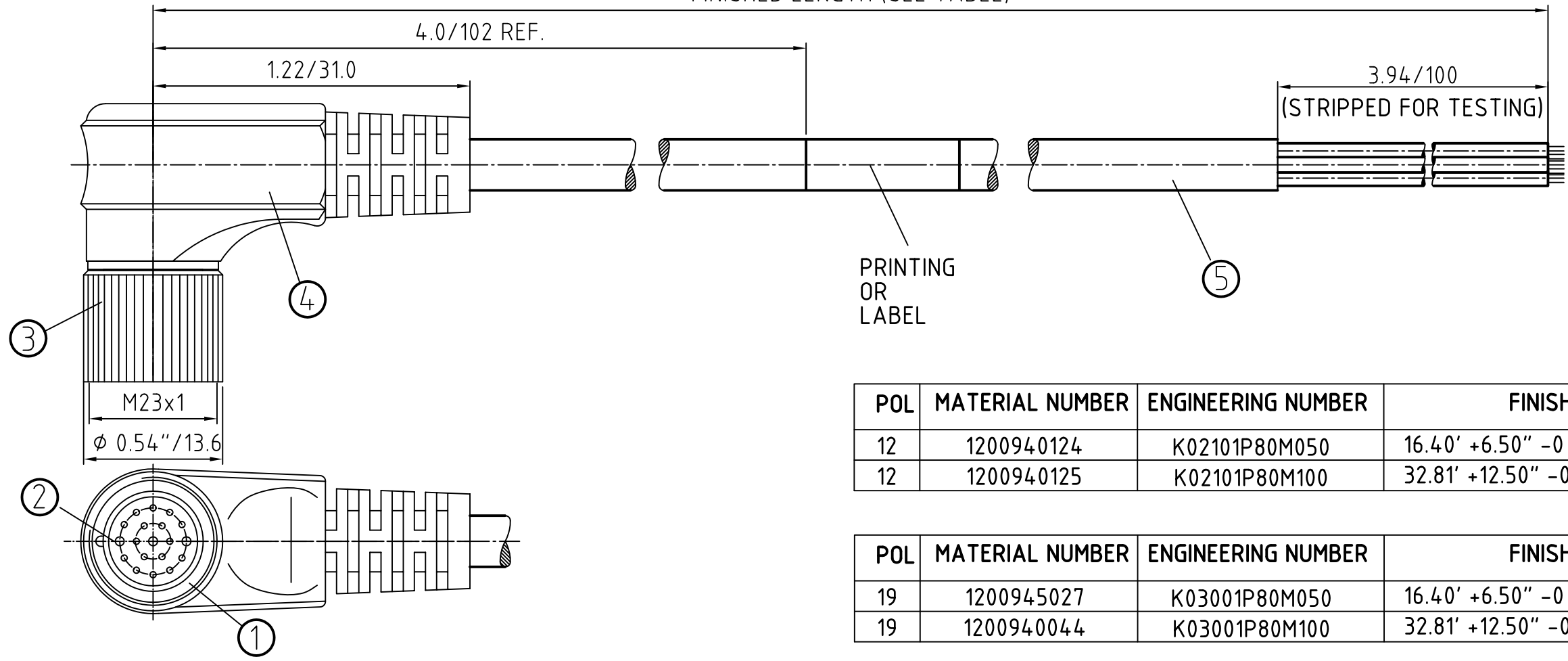


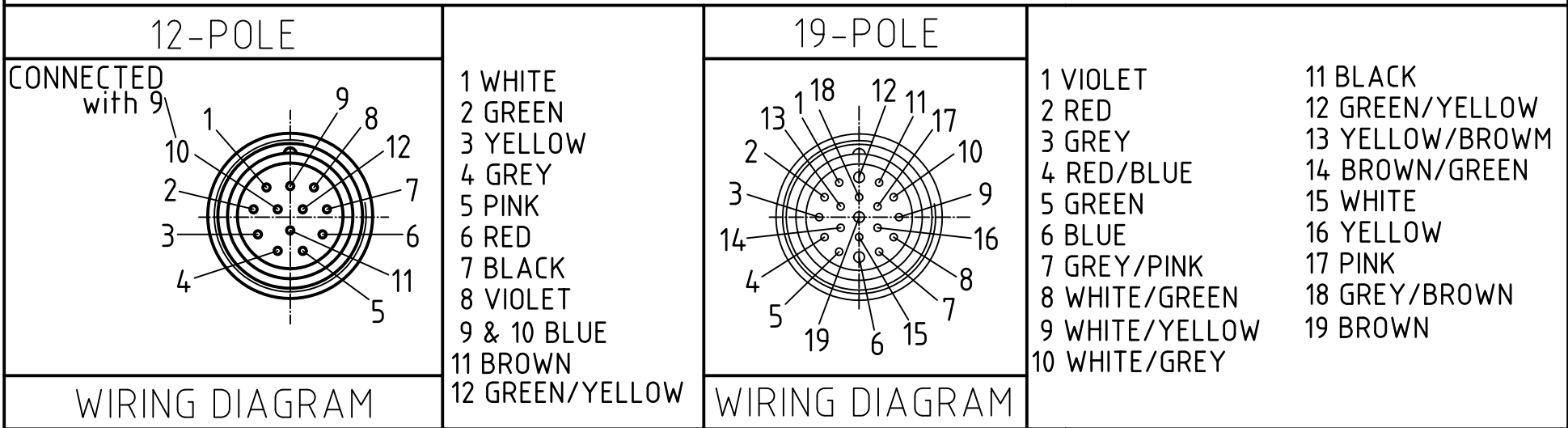
FINISHED LENGTH (SEE TABLE)



POL	MATERIAL NUMBER	ENGINEERING NUMBER	FINISHED LENGTH
12	1200940124	K02101P80M050	16.40' +6.50" -0 [5.0M +165.1 -0]
12	1200940125	K02101P80M100	32.81' +12.50" -0 [10.0M +317.5 -0]

POL	MATERIAL NUMBER	ENGINEERING NUMBER	FINISHED LENGTH
19	1200945027	K03001P80M050	16.40' +6.50" -0 [5.0M +165.1 -0]
19	1200940044	K03001P80M100	32.81' +12.50" -0 [10.0M +317.5 -0]

FEMALE FACE VIEW



CONNECTOR SPECIFICATION:

VOLTAGE RATING	63V AC/DC
AMPERAGE RATING	6 AMPS
PROTECTION CLASS	IP67
OPERATING TEMPERATURE	-25°C TO 90°C
UL CERTIFICATIONS	NOT APPLICABLE
CSA CERTIFICATIONS	NOT APPLICABLE

ITEM	COMPONENT	MATERIAL	FINISH
1	INSERT	POLYURETHANE (PUR)	BLACK
2	CONTACT MATERIAL	COPPER ALLOY	GOLD OVER NICKEL
3	COUPLING NUT	BRASS	NICKEL PLATED
4	OVERMOLD	TPU	BLACK
12 POLE	CABLE 3x0.75 ² /18 AWG	JACKET: PUR	JACKET: BLACK
5	CABLE 8x0.34 ² /22 AWG		
19 POLE	CABLE 3x0.75 ² /18 AWG CABLE 16x0.34 ² /22 AWG		

DESCRIPTION EC NO: WEU2010-0281 DRWN: BBRAUCH 2010/01/19 CHKD: RE APPR: NSTAUDIG 2010/01/25	QUALITY SYMBOLS	GENERAL TOLERANCES (UNLESS SPECIFIED) mm INCH 4 PLACES ±--- ±--- 3 PLACES ±--- ±--- 2 PLACES ±0.05 ±--- 1 PLACE ±0.1 ±--- ANGULAR ± --- °	DIMENSION STYLE	SCALE	DESIGN UNITS	THIRD ANGLE PROJECTION	
			IN/MM	2:1	METRIC		
			DRAWN BY	DATE	M23 12/19P FEMALE 90 BLACK PUR/PVC		
			BBRAUCH	2010/01/19	-----		
			CHECKED BY	DATE			
			RE	2010/01/20			
			APPROVED BY	DATE			
			NSTAUDIG	2010/01/22			
			MATERIAL NO.	DOCUMENT NO.			
			SEE TABLE	SD-120094-002			
			SIZE	THIS DRAWING CONTAINS INFORMATION THAT IS PROPRIETARY TO MOLEX INCORPORATED AND SHOULD NOT BE USED WITHOUT WRITTEN PERMISSION			
			A3				
				SHEET NO.			
				1 OF 1			