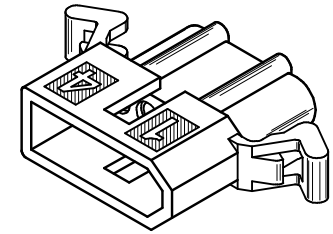
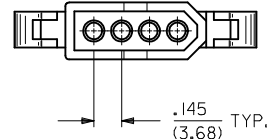
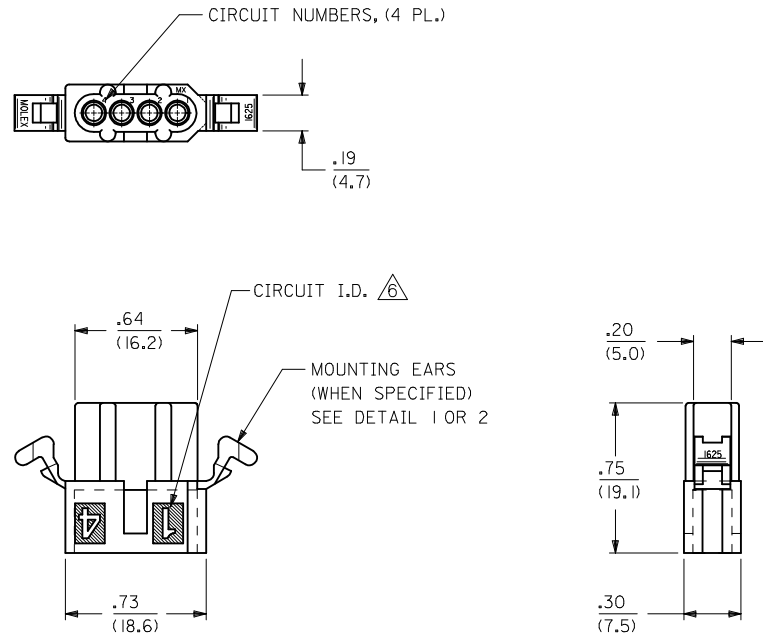


**RECEPTACLE HOUSING**



**PLUG HOUSING**

<b>REMOVE RCPT. EAR NUB</b> EC NO: UCP2014-2451 DRN: AELHAG CHKD: JBELL APPR: FSMITH	2013/12/12 2013/12/12 2013/12/12	QUALITY SYMBOLS	GENERAL TOLERANCES (UNLESS SPECIFIED)	DIMENSION STYLE	SCALE	DESIGN UNITS	THIRD ANGLE PROJECTION	
		$\nabla = 0$ $\nabla = 0$ $\nabla = 0$	mm INCH 4 PLACES ± --- ± --- 3 PLACES ± --- ± .010 2 PLACES ± 0.25 ± .014 1 PLACE ± 0.36 ± --- ANGULAR ± 1°	IN/MM	---	INCH	DRAWN BY DATE AELHAG 2010/06/30 CHECKED BY DATE JBELL 2012/01/23 APPROVED BY DATE FSMITH 2011/12/02	TITLE <b>PLUG &amp; RECEPTACLE HOUSINGS, 4 CIRCUIT, .062 DIA., .145 CENTERS</b>
		DRAFT WHERE APPLICABLE MUST REMAIN WITHIN DIMENSIONS	MATERIAL NO. <b>SEE CHART</b>	MOLEX INCORPORATED DOCUMENT NO.	SHEET NO. 1 OF 2			
		THIS DRAWING CONTAINS INFORMATION THAT IS PROPRIETARY TO MOLEX INCORPORATED AND SHOULD NOT BE USED WITHOUT WRITTEN PERMISSION	SIZE C	SD-1625-4*				

PLUG		
PART NO.	ENG. NO.	
03-06-2041	I625-4P	
46999-0267	I625-4P-1	
03-06-7041	I625-4PBK	<b>OBSOLETE</b>
03-06-2042	I625-4P1	
03-06-7042	I625-4P1BK	
46999-0355	I625-4P2	
NOT TOOLED	I625-4P2BK	
46999-0353	I625-4P2-1	
	-	

RECEPTACLE		
PART NO.	ENG. NO.	
03-06-1041	I625-4R	
03-06-6041	I625-4RBK	<b>OBSOLETE</b>
03-06-1042	I625-4R1	
03-06-6042	I625-4R1BK	
50-29-1758	I625-4R2	
46999-0266	I625-4R2-1	
46999-0354	I625-4R1-1	
	-	
	-	

**LEGEND:**

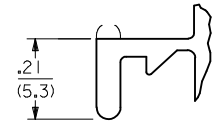
I625-4\*\*\*-\*

CIRCUIT SIZE  
 R = RECEPTACLE  
 P = PLUG

BLANK = WITH STANDARD MTG. EARS  
 1 = WITHOUT EARS  
 2 = WITH PREBENT MTG. EARS

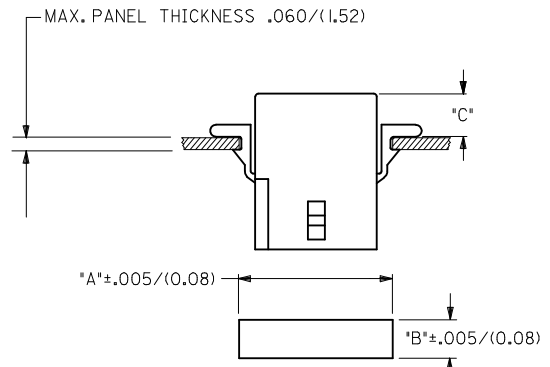
BLANK = NOT DYED  
 AM=AMBER BK=BLACK BU=BLUE  
 BN=BROWN GY=GRAY GN=GREEN  
 OR=ORANGE RD=RED YW=YELLOW

BLANK = MATERIAL CODE A  
 1 = MATERIAL CODE B



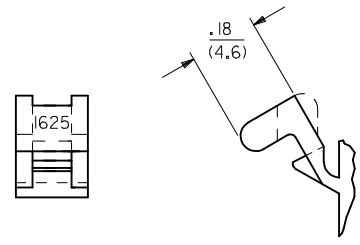
**DETAIL 1**

STANDARD MOUNTING EARS  
 (SCALE 4:1)



RECOMMENDED PANEL OPENING

HOUSING	DIM. "A"	DIM. "B"	"C" PREBENT EAR	"C" STANDARD EAR
PLUG	.865/(21.97)	.312/(7.92)	.19/(4.8)	.18/(4.6)
RECEPT.	.785/(19.94)	.260/(6.60)	.21/(5.3)	.20/(5.1)



**DETAIL 2**

PREBENT MOUNTING EARS  
 (SCALE 4:1)

- NOTES:
- MATERIAL:  
 A = NYLON TYPE 6/6, 94V-2  
 B = NYLON PA6, UL94V-2, COLOR: NATURAL  
 IEC 60335-1, 4th EDITION, GLOW WIRE CAPABLE
  - FINISH: N/A.
  - THIS PRODUCT COMPLIES WITH MOLEX PRODUCT SPECIFICATION PS-02-06
  - PACKAGING: PK-1625-003.
  - HOUSINGS FOR USE WITH MOLEX .062/(1.57) DIA. SERIES TERMINALS.
  - CIRCUIT I.D. NUMBERS ON SIDE OF HOUSING APPEAR ON PARTS FROM TOOLS BUILT AFTER 8/10/92. PARTS FROM TOOLS BUILT BEFORE THIS DATE WILL HAVE CIRCUIT I.D. RIBS ON HOUSING.
  - PARTS CONFORM TO CLASS 'B' REQUIREMENTS OF COSMETIC SPECIFICATION PS-45499-002.

UPDATE REV. LEVEL EC NO: UCP2014-2451 DRWN: AELHAG 2013/12/12 CHKD: J. BELL 2013/12/12 APPR: FSMITH 2013/12/20 R3	QUALITY SYMBOLS ∇=0 ∇=0 ∇=0	GENERAL TOLERANCES (UNLESS SPECIFIED)		DIMENSION STYLE IN/MM		SCALE ---	DESIGN UNITS INCH	THIRD ANGLE PROJECTION	
		4 PLACES ± --- ± --- 3 PLACES ± --- ± .010 2 PLACES ± 0.25 ± .014 1 PLACE ± 0.36 ± ---	mm INCH	DRAWN BY AELHAG	DATE 2010/06/30	TITLE PLUG & RECEPTACLE HOUSINGS, 4 CIRCUIT, .062 DIA., .145 CENTERS			
		ANGULAR ± 1°		CHECKED BY JBELL	DATE 2012/01/23	MOLEX MOLEX INCORPORATED			
DRAFT WHERE APPLICABLE MUST REMAIN WITHIN DIMENSIONS		APPROVED BY FSMITH		DATE 2011/12/02	MATERIAL NO. SEE CHART	DOCUMENT NO. SD-1625-4*	SHEET NO. 2 OF 2		
THIS DRAWING CONTAINS INFORMATION THAT IS PROPRIETARY TO MOLEX INCORPORATED AND SHOULD NOT BE USED WITHOUT WRITTEN PERMISSION									