

MCS Power supply 3-phase, primary switched IN: 360-550VAC OUT: 24-28V/20ADC

INPUT: 3 × 360...550 V AC

OUTPUT: 24...28 V DC

Current: 20 A

Image

- 3-phase
- stable output voltage, (short-circuit and overload protected)
- Wide voltage input
- Protection IP20

Vicarious picture

Approvals**Input**

Input voltage	3 × 360...550 V AC
Input current	3 × 1.2 A
Inrush current after 1 ms	max. 20 A
External fuse	max. 3 × 3 A
Frequency	50/60 Hz

Output

Output voltage	24 V DC (SELV), ±1 %; 24...28 V adjustable
Output current	20 A (+60 °C); 24 A (+40 °C)
Mains failure bridging time	min. 12 ms (400 V AC)
Ripple	max. 20 mV rms
Short-circuit and overload protection	yes
Spikes	max. 100 mV p-p
LED display	LED (green) for output voltage
Selectable switch-off mode	front sided plug link (automatic re-start or definite shut-off)
Parallel usage/ serial usage	max. 5 units/max. 2 units

General data

Standards	(EN 60950-1), (EN 61204-3), (EN 55022 B)
Temperature range	0...+60 °C (storage temperature -25...+85 °C)
Mounting method	Screw fixing M4, 4 pcs. in rectangle 60 × 197 mm
Efficiency	90 %
Relative humidity	5...95 %, no condensation
Dimensions H × W × D × Da	209 x 84 x 227 x 20 mm

Commercial data

Net weight	3100
Weight unit	Gram
Basic unit	pc.
Customs tariff number	85044090
Unit (piece)	1
Minimum order quantity (piece)	1

All data on this data sheet was compiled carefully.

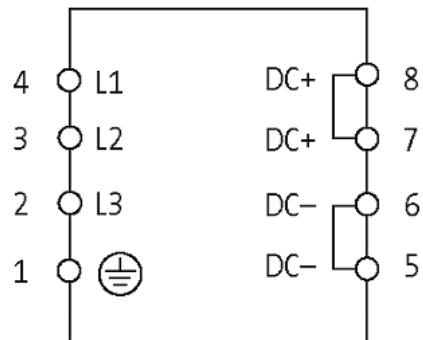
Liability regarding correctness, completeness, and actuality is limited to gross negligence. Created: 10/13

Functions

PFC

Low interference emission

Circuit diagram



Dimension drawing

