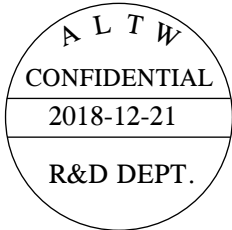
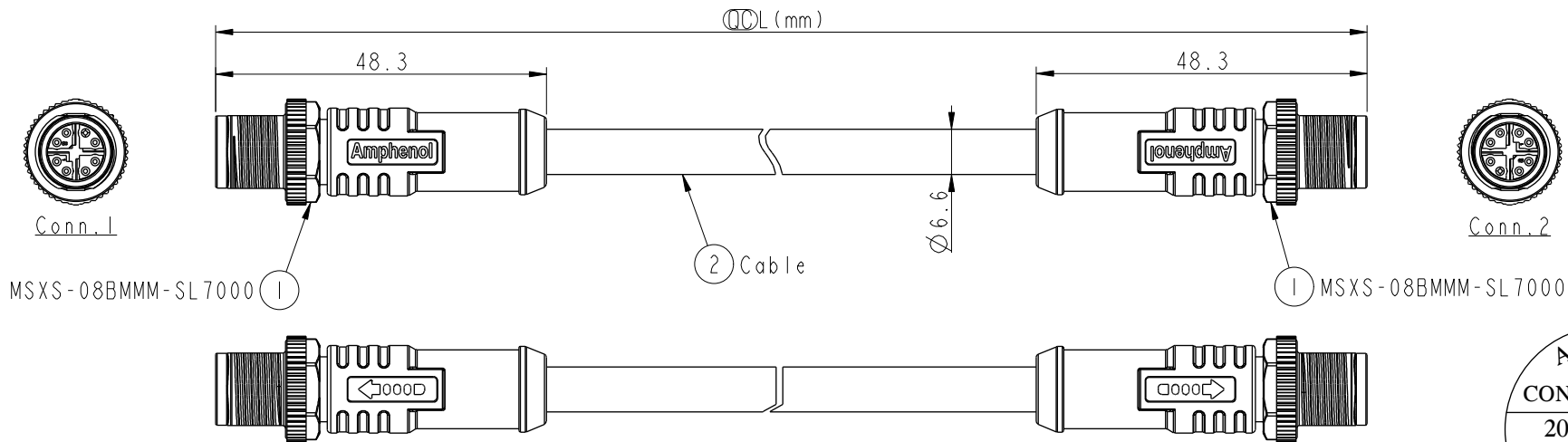
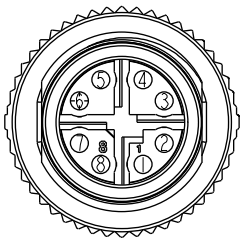


THIS DOCUMENT IS SUBJECT TO CHANGE WITHOUT NOTICE. IT IS CONFIDENTIAL AND A PROPERTY OF Amphenol LTW. DISCLOSURE TO THIRD PARTY HAS TO BE AUTHORIZED BY Amphenol LTW.

REV.	ECN NO.	DATE	SIGN	DESCRIPTION
C	CI80009	2018-08-10	Fisher Wang	update drawing
D	CI80514	2018-12-04	Vicky	Update note cable length
E	CI80642	2018-12-21	Ruru	Modify Drawing Mark Cable Length



- Note:
- * \varnothing Important Dimensions To Check
 - * Waterproof Rate: IP67
 - * Connector: Nylon+GF, Black
 - * Pin: Copper Alloy, Gold Plated
 - * Screw Nut: Zinc Alloy, Nickel Plated
 - * Shield: Copper Alloy
 - * Outer Mold: PU, Black
 - * Cable: Cat6A, 26AWG*4P+B, LSZH, UV resistant
OD 6.6mm, Green Jacket.
 - * Rated Voltage: 50 V AC, 60 V DC
 - * Rated Current: 0.5A
 - * Cable length Tolerance: 0.5M±20mm
01M±40mm
02M~05M±60mm
06M~10M±100mm
11M~30M±200mm
31M~40M±500mm



Conn.1&2
Pin Assignment
Front View

Shield	Braid	Wire Color	Shield
8	Blue	藍	8
7	White/Blue	白/藍	7
6	Brown	棕	6
5	White/Brown	白/棕	5
4	Green	綠	4
3	White/Green	白/綠	3
2	Orange	橙	2
1	White/Orange	白/橙	1
Conn.1	Wire Color		Conn.2
Pin Out			

MSXS08ML-SXSML-SGXXX \triangle

- XXX : 0.5~40 Meters
- A05 : 0.5 Meter
- 001 : 1 Meter
- 002 : 2 Meters
- ...
- 040 : 40 Meters

Cable Length(L):0.5~40Meters

UNIT:mm	\varnothing	∇
TOLERANCE	± 0.5 mm	

TITLE M12 X-code Double Ended		
SCALE 1:1	SIZE A4	SHEET 1 OF 1
REV. E	WC-REV. A.3	\varnothing : Inspection item

Amphenol LTW
安費諾亮泰企業股份有限公司

ITEM NO	DRAWN BY Ruru	DATE 2018-12-21
DWG NO MSXS08ML-SXSML-SGXXX	CHECKED BY Rita	DATE 2018-12-21
CUSTOMER ALTW	APPROVED BY Max	DATE 2018-12-21