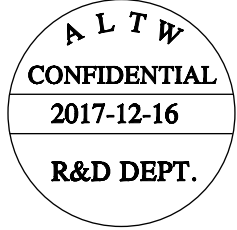
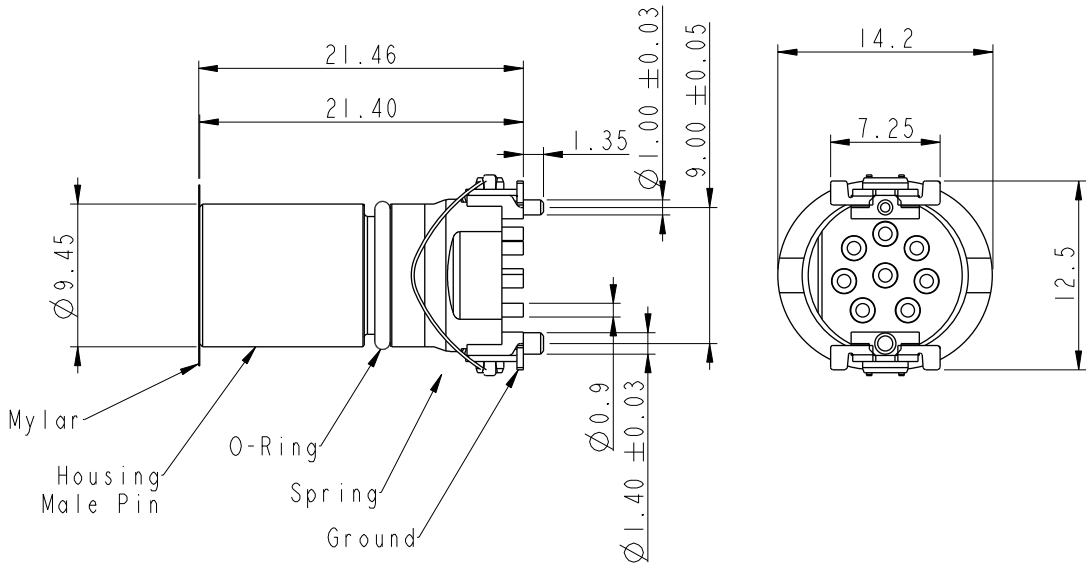


THIS DOCUMENT IS SUBJECT TO CHANGE WITHOUT NOTICE. IT IS CONFIDENTIAL AND A PROPERTY OF AMPHENOL LTW. DISCLOSURE TO THIRD PARTY HAS TO BE AUTHORIZED BY AMPHENOL LTW.

REV.	ECN NO.	DATE	SIGN	DESCRIPTION
A	Initial Release	2017/12/16	Arvin Chan	Change Rev.01 To Rev.A



Note:

- * \varnothing Important Dimension,
- Material Specification :
 - * Housing : Thermoplastic
 - * Male Pin : Copper Alloy, Gold Plated
 - * Ground : Copper Alloy, Tin Plated
 - * Spring : Stainless Steel
 - * O-Ring : Silicone, Gray
- Electrical Specification :
 - * Contact Resistance : 10m Ω Max.
 - * Insulation Resistance : 100M Ω min.
 - * Dielectric Withstanding Voltage : 1KV
 - * Rated Voltage : 3Pin, 4Pin 250V d.c. or a.c.
 - 5Pin 60V d.c. or a.c.
 - 8Pin 30V d.c. or a.c.
- * Rated Current : 3Pin, 4Pin & 5Pin 4A
8Pin 2A
- Mechanical Specification :
 - * Durability : 1000 Cycles (IEC : 100 Cycles)
- Environmental Specification :
 - * Temperature Range : -55~125°C
 - * Salt Spray : 48h
 - * SMT Temperature & Time : 260°C/5Sec
 - * SMT Paste : 0.12mm min.

MS * S - * * P M M T - E E 8 0 0 1

MSAS: M12 A Code Shield
 MSBS: M12 B Code Shield
 MSDS: M12 D Code Shield
 03: 3Pin
 04: 4Pin
 05: 5Pin
 08: 8Pin
 P: Panel
 M: Male Connector

001: Serial Number
 8: IP68 (Mated, 1M/24Hours)
 IP65 (Unmated)
 E: None Back Shell
 E: None Mating Style
 T: SMT Type
 M: Male Pin

UNIT: mm			TITLE M12 M CONN M PIN SMT TYPE
TOLERANCE .X ±0.25 .XX ±0.1 .XXX ±0.05 ANGLES ±1°	SCALE 1:1	SIZE A4	SHEET 1 OF 4
REV. A	WC-REV. A.2	QC: Inspection item	

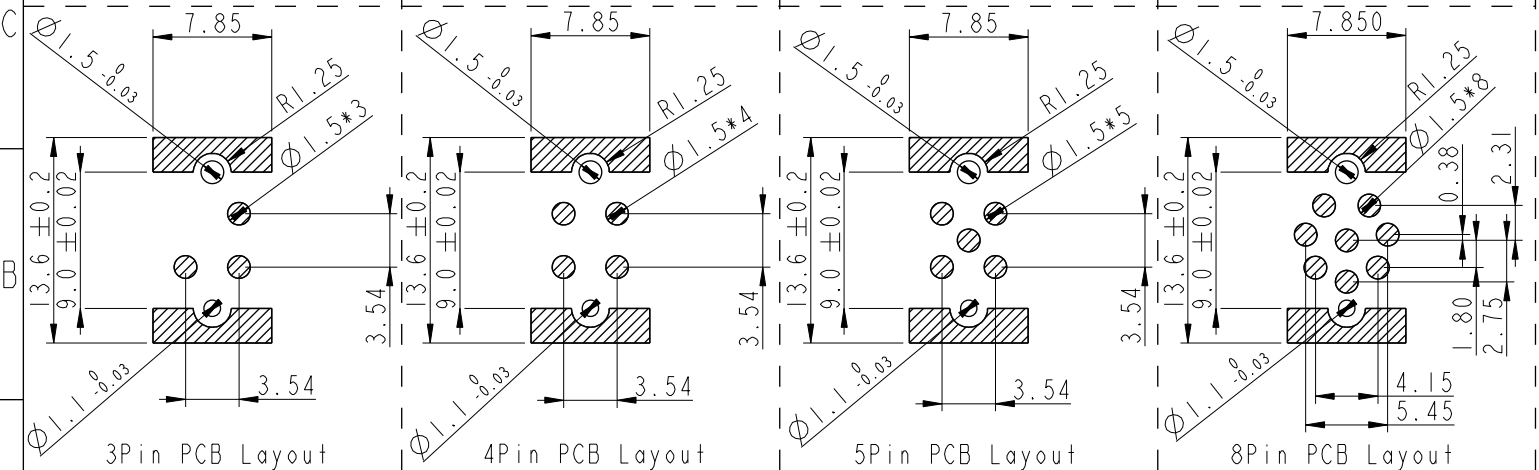
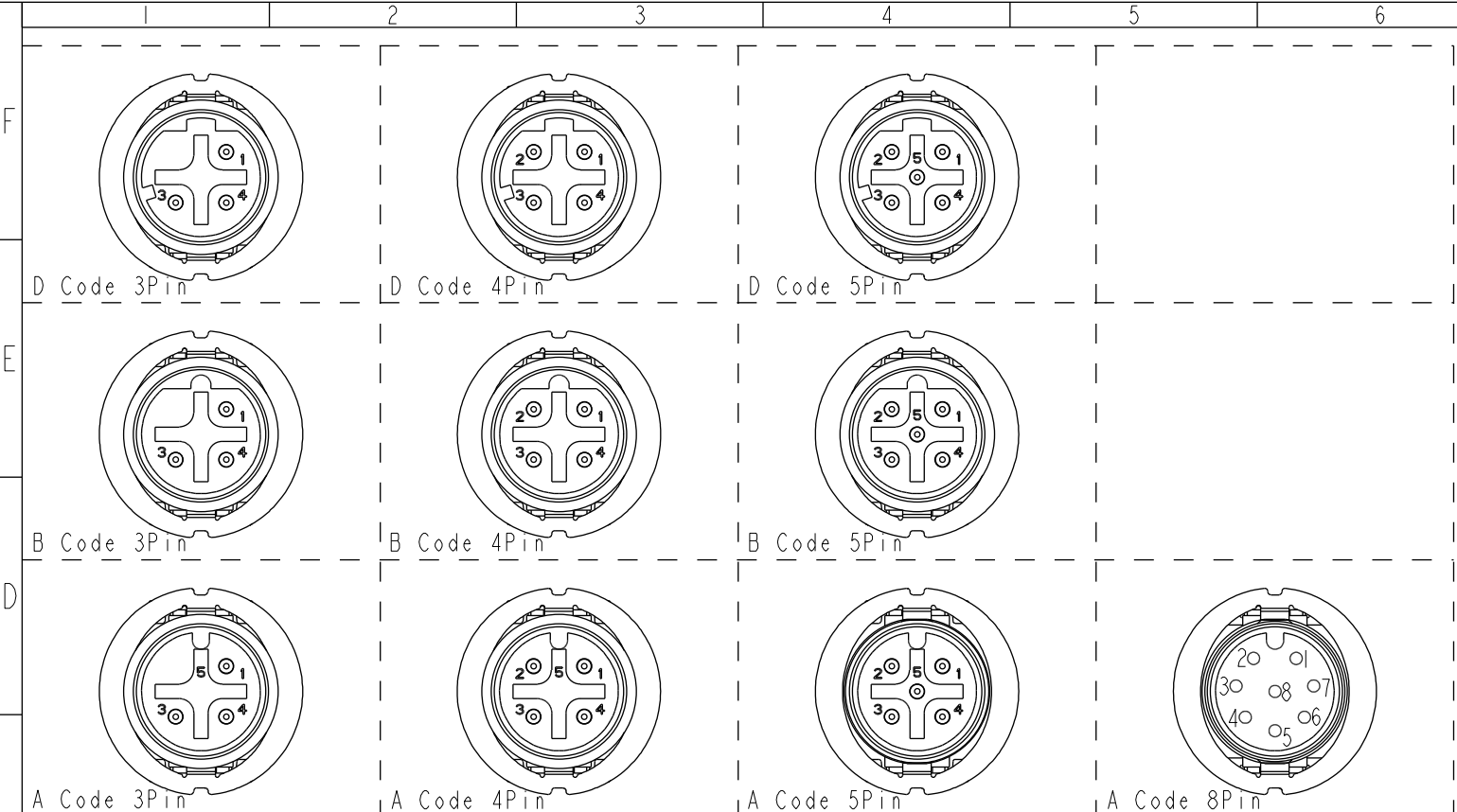
Amphenol LTW
 安費諾亮泰企業股份有限公司

ITEM NO	DRAWN BY Arvin Chan	DATE 2017-12-16
DWG NO MSXS-XXPMMT-EE8XXX	CHECKED BY Aric Ko	DATE 2017-12-16
CUSTOMER ALTW	APPROVED BY Kevin Hu	DATE 2017-12-16

THIS DOCUMENT IS SUBJECT TO CHANGE WITHOUT NOTICE. IT IS CONFIDENTIAL AND A PROPERTY OF Amphenol LTW. DISCLOSURE TO THIRD PARTY HAS TO BE AUTHORIZED BY Amphenol LTW.

ALTW
CONFIDENTIAL
 2017-12-16
R&D DEPT.

ALTW
 DCC. DEPT.
 CONFIDENTIAL
 2018.01.11
ISSUED

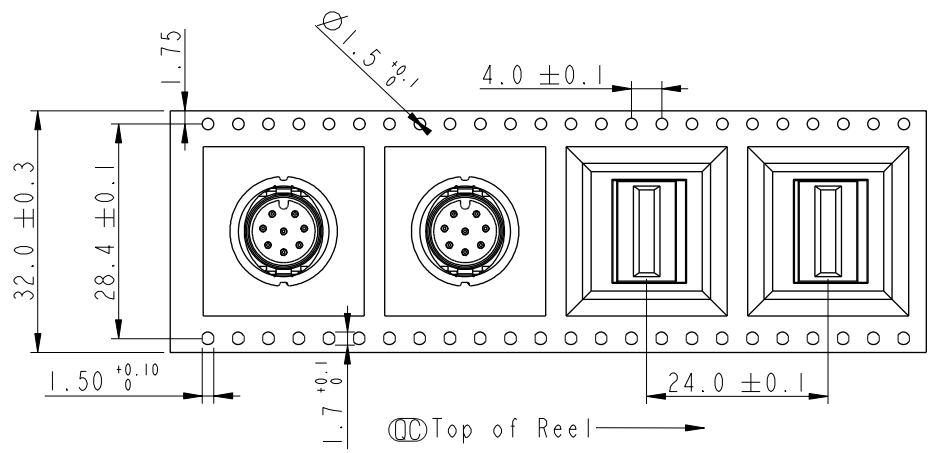
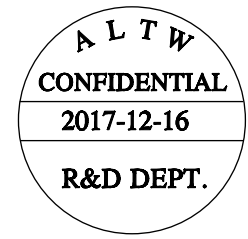


UNIT: mm			TITLE M12 M CONN M PIN SMT TYPE		
TOLERANCE	.X ±0.25	.XX ±0.1	SCALE 1:1	SIZE A4	SHEET 2 OF 4
ANGLES	.XXX ±0.05	±1°	REV. A	WC-REV. A.3	QC: Inspection item

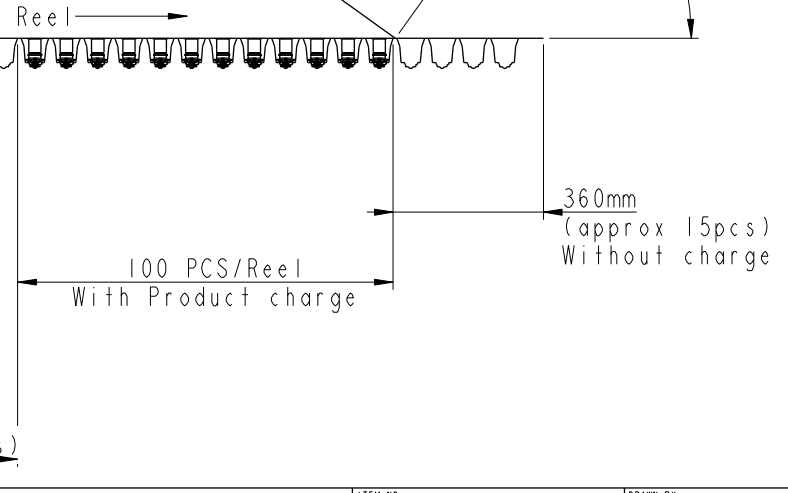
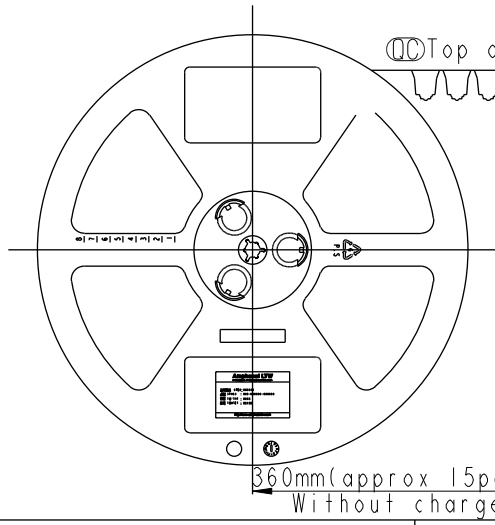
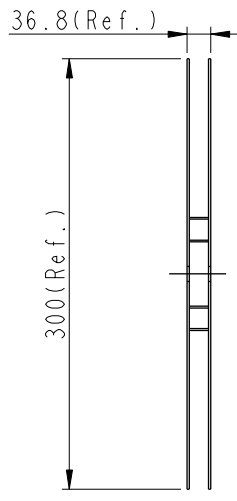
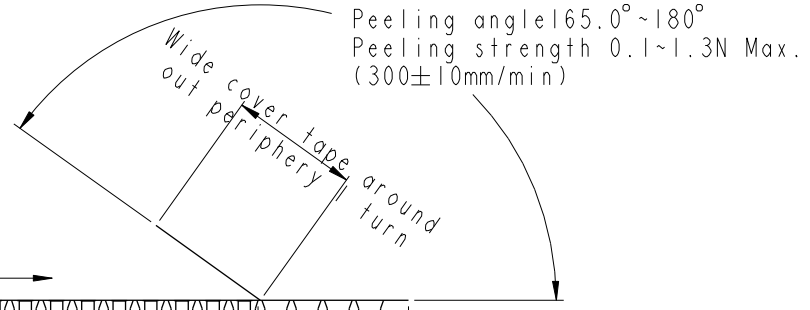
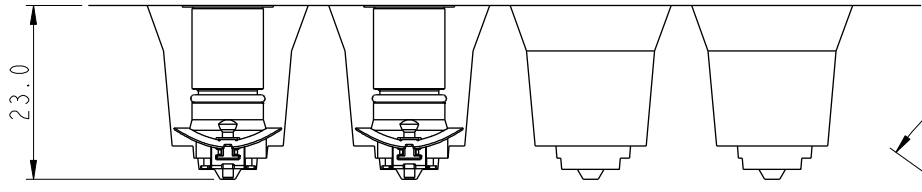
Amphenol LTW
安費諾亮泰企業股份有限公司

ITEM NO	DRAWN BY Arvin Chan	DATE 2017-12-16
DWG NO MSXS-XXPMT-EE8XXX	CHECKED BY Aric Ko	DATE 2017-12-16
CUSTOMER ALTW	APPROVED BY Kevin Hu	DATE 2017-12-16

THIS DOCUMENT IS SUBJECT TO CHANGE WITHOUT NOTICE. IT IS CONFIDENTIAL AND A PROPERTY OF AMPHENOL LTW. DISCLOSURE TO THIRD PARTY HAS TO BE AUTHORIZED BY AMPHENOL LTW.



Note :
 ◎◎ * Connector Orientat follow Drawing



UNIT: mm		
TOLERANCE	.X ±0.25	
.XX ±0.1		
.XXX ±0.05		
ANGLES	±1°	

TITLE M12 M CONN M PIN SMT TYPE			
SCALE 1:1	SIZE A4	SHEET 3 OF 4	
REV. A	WC-REV. A.3	◎◎: Inspection item	

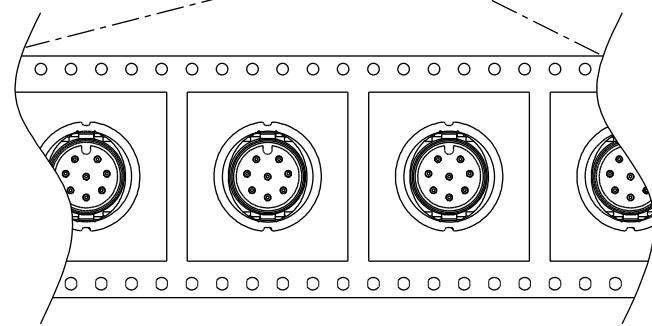
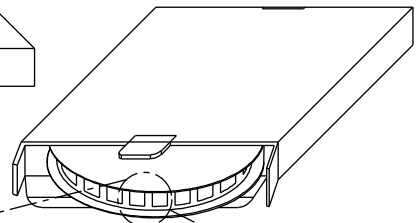
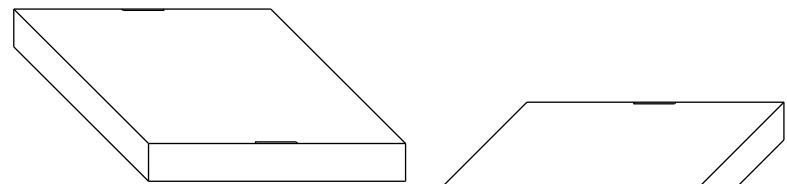
Amphenol LTW
 安費諾亮泰企業股份有限公司

ITEM NO	DRAWN BY Arvin Chan	DATE 2017-12-16
DWG NO MSXS-XXPMMT-EE8XXX	CHECKED BY Aric Ko	DATE 2017-12-16
CUSTOMER ALTW	APPROVED BY Kevin Hu	DATE 2017-12-16

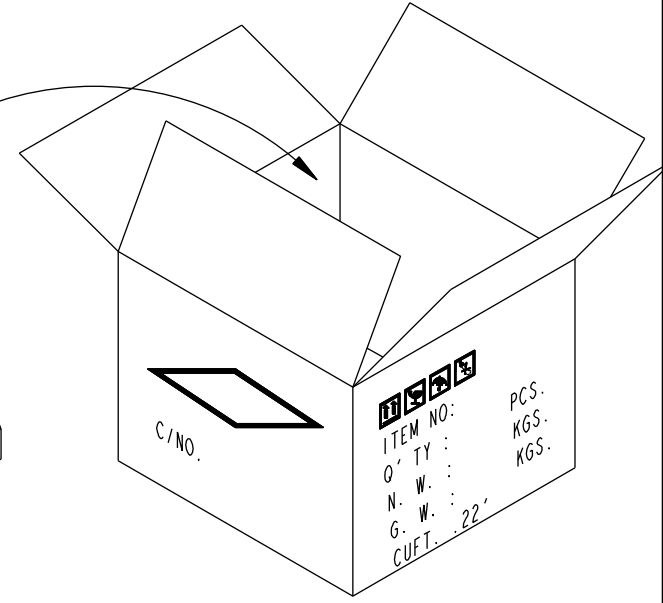
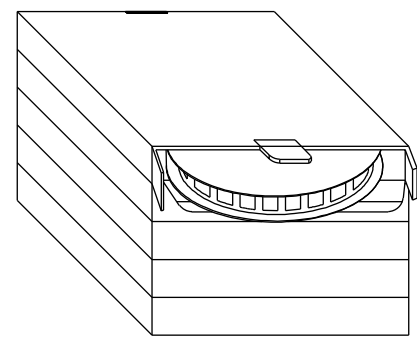
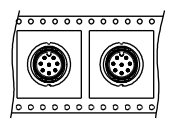
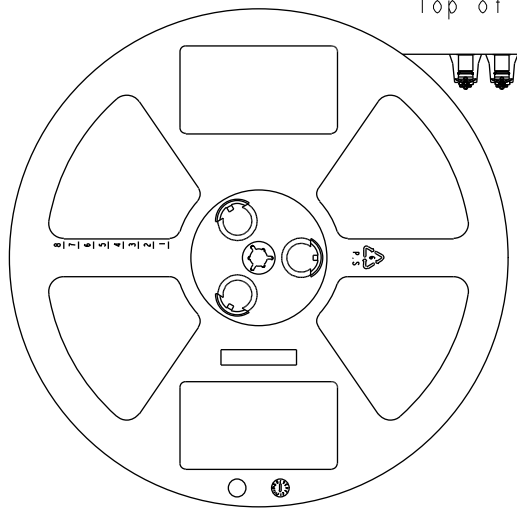
THIS DOCUMENT IS SUBJECT TO CHANGE WITHOUT NOTICE. IT IS CONFIDENTIAL AND A PROPERTY OF AMPHENOL LTW. DISCLOSURE TO THIRD PARTY HAS TO BE AUTHORIZED BY AMPHENOL LTW.

ALTW
CONFIDENTIAL
 2017-12-16
R&D DEPT.

ALTW
 DCC. DEPT.
 CONFIDENTIAL
 2018.01.11
ISSUED



Top of Reel →



Note:
 100 PCS(Connector)/Tape&Reel Put in a Box
 5PCS(Max.) Box Put in a Carton

UNIT: mm		
TOLERANCE		
.X	±0.25	
.XX	±0.1	
.XXX	±0.05	
ANGLES	±1°	

TITLE MI2 M CONN M PIN SMT TYPE			
SCALE 1:1	SIZE A4	SHEET 4 OF 4	
REV. A	WC-REV. A.3	QC: Inspection item	

Amphenol LTW
安費諾亮泰企業股份有限公司

ITEM NO.	DRAWN BY Arvin Chan	DATE 2017-12-16
DWG NO. MSXS-XXPMMT-EE8XXX	CHECKED BY Aric Ko	DATE 2017-12-16
CUSTOMER ALTW	APPROVED BY Kevin Hu	DATE 2017-12-16