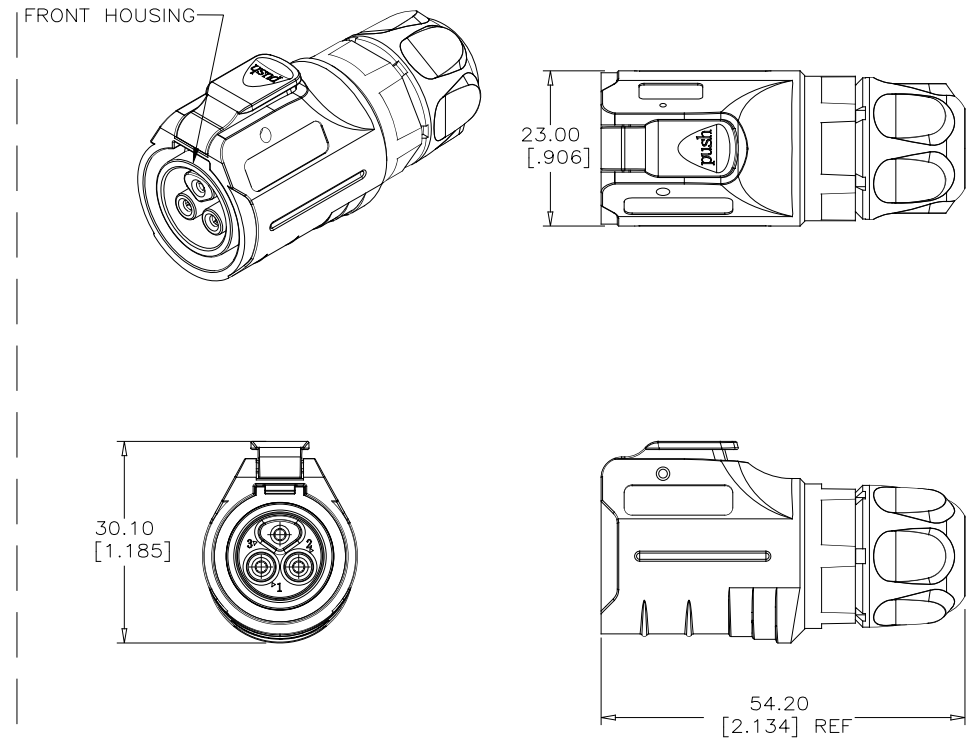
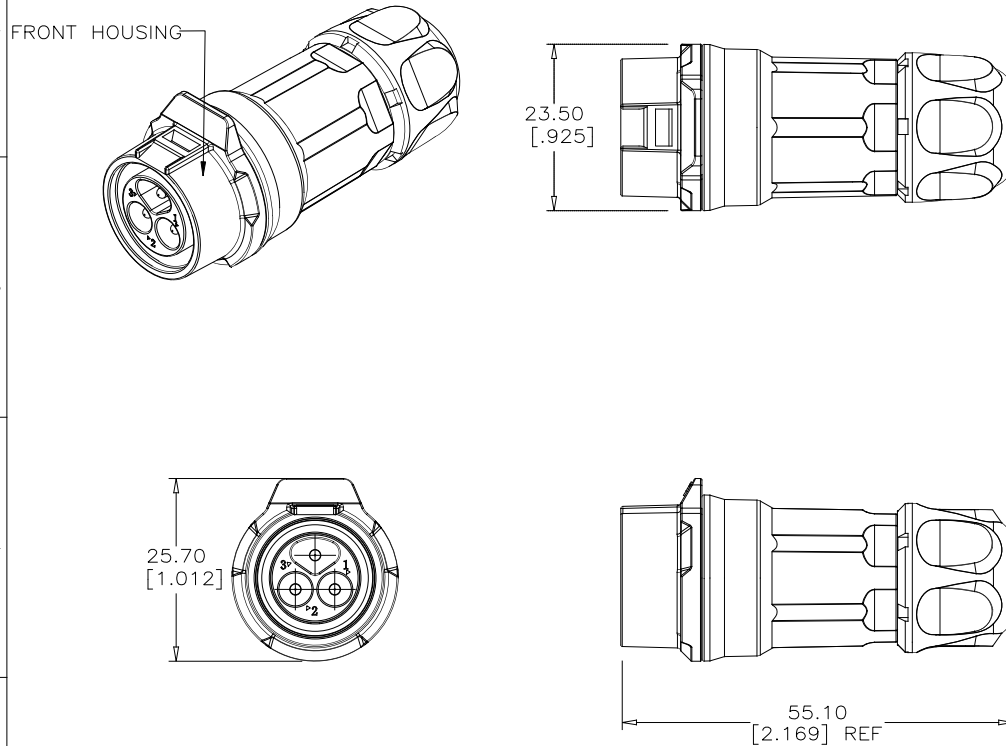


REVISIONS			
REV	DESCRIPTION, ECN, EAR NO.	DATE	APP'D
B	PROPOSAL DRAWING (EAR 14575)	MAR14/18	K.L.
C	UPDATING COMMON TERMINOLOGY	MAY18/18	A.G.

FEMALE & PIN CONTACTS

MALE & SOCKET CONTACTS



SEE SHEET 2 FOR ORDERING CODE AND ADDITIONAL INFORMATION



UNLESS SPECIFIED OTHERWISE	DRAWN	K.XIONG	OCT09/17
PRIMARY UNITS MILLIMETERS	CHECKED	K.LAMBIE	MAR14/18
SECONDARY INCHES	M.E. APP'D		
REFERENCE IN PARENTHESES	Q.A. APP'D		
GENERAL TOLERANCES	DWG APP'D	A.GREEN	MAR14/18
1 DECIMAL PLACE ±0.25	ENG. REL. NO.		
2 DECIMAL PLACES ±0.15	REF.	EAR 14575	
3 DECIMAL PLACES ±0.05	THIRD ANGLE PROJECTION		
ANGULAR DEGREES	DO NOT SCALE DRAWING		

Amphenol Canada Corp. Commercial Products	
MRD SERIES RUGGED CONNECTOR, MALE OR FEMALE, 3 POSITIONS, LATCH LOCK, CABLE FIELD ASSEMBLY, IP67 RATING, RoHS COMPLIANT	
DWG NO.	REV
P-MRD-BX03-M1X-000	C
CODE ID NO. 03554	SHEET 1 OF 2

THIS DOCUMENT CONTAINS PROPRIETARY INFORMATION AND SUCH INFORMATION MAY NOT BE DISCLOSED TO OTHERS FOR ANY PURPOSE OR USED FOR MANUFACTURING PURPOSES WITHOUT WRITTEN PERMISSION FROM AMPHENOL CANADA CORP.

REVISIONS			
REV	DESCRIPTION, ECN, EAR NO.	DATE	APP'D
B	PROPOSAL DRAWING (EAR 14575)	MAR14/18	K.L.
C	UPDATING COMMON TERMINOLOGY	MAY18/18	A.G.

ORDERING CODE: M R D - B X 0 3 - M 1 X - 0 0 0

SERIES \_\_\_\_\_

CONTACT SIZE & MECHANISM \_\_\_\_\_  
B=1.5mm & LATCH LOCK

HOUSING ORIENTATION & CONTACT TYPE \_\_\_\_\_  
G=FEMALE METAL HOUSING & PIN CONTACTS  
J=FEMALE PLASTIC HOUSING & PIN CONTACTS  
N=MALE METAL HOUSING & SOCKET CONTACTS  
R=MALE PLASTIC HOUSING & SOCKET CONTACTS

NUMBER OF CONTACTS \_\_\_\_\_  
03=THREE CONTACTS

SPECIALS  
000=STANDARD

GROMMET SIZE OPTION  
6=GROMMET FOR 7.0 (.276) TO 9.0 (.354) CABLE OD  
7=GROMMET FOR 4.0 (.157) TO 7.0 (.276) CABLE OD

CONTACT TERMINATION TYPE  
M1=SOLDER CUP, FOR FIELD ASSEMBLY CABLE END

NOTES:

- MATERIAL: ALL MATERIALS ARE RoHS COMPLIANT PER EU DIRECTIVE 2011/65/EU  
HOUSING: THERMOPLASTIC PBT, UL FLAMMABILITY RATING 94V-0, BLACK  
CONTACTS: COPPER ALLOY PLATED WITH GOLD FLASH OVER NICKEL  
GROMMET: SILICONE RUBBER  
FRONT HOUSING: ZINC ALLOY PLATED WITH CHROME OR THERMOPLASTIC PBT. SEE PART NUMBER TABLE.
- ELECTRICAL CHARACTERISTICS:  
CURRENT RATING: 10A  
OPERATING VOLTAGE: 500V AC MAXIMUM  
DIELECTRIC WITHSTANDING VOLTAGE: 2500V DC  
CONTACT RESISTANCE: 5.0mΩ MAXIMUM.
- RECOMMENDED CABLE OUTSIDE DIAMETER: DEPENDS ON GROMMET SELECTED, SEE ORDERING CODE AND PART NUMBER TABLE.
- ENVIRONMENTAL PROTECTION: IP67 PER IEC 60529 IN THE MATED CONDITION.

PART NUMBER TABLE:

CONNECTOR PART NUMBER	CONNECTOR TYPE	CONTACT TYPE	RECOMMENDED CABLE OD RANGE	FRONT HOUSING MATERIAL
MRD-BG03-M16-000	FEMALE	PIN	7.0 (.276) - 9.0 (.354)	ZINC/CHROME
MRD-BG03-M17-000	FEMALE	PIN	4.0 (.157) - 7.0 (.276)	ZINC/CHROME
MRD-BJ03-M16-000	FEMALE	PIN	7.0 (.276) - 9.0 (.354)	PBT
MRD-BJ03-M17-000	FEMALE	PIN	4.0 (.157) - 7.0 (.276)	PBT
MRD-BN03-M16-000	MALE	SOCKET	7.0 (.276) - 9.0 (.354)	ZINC/CHROME
MRD-BN03-M17-000	MALE	SOCKET	4.0 (.157) - 7.0 (.276)	ZINC/CHROME
MRD-BR03-M16-000	MALE	SOCKET	7.0 (.276) - 9.0 (.354)	PBT
MRD-BR03-M17-000	MALE	SOCKET	4.0 (.157) - 7.0 (.276)	PBT



UNLESS SPECIFIED OTHERWISE	DRAWN K.XIONG	OCT09/17
PRIMARY UNITS MILLIMETERS	CHECKED K.LAMBIE	MAR14/18
SECONDARY INCHES	M.E. APP'D	
REFERENCE IN PARENTHESES	Q.A. APP'D	
GENERAL TOLERANCES	DWG APP'D A.GREEN	MAR14/18
1 DECIMAL PLACE ±0.25	ENG. REL. NO.	
2 DECIMAL PLACES ±0.15	REF. EAR 14575	
3 DECIMAL PLACES ±0.05		
ANGULAR DEGREES	THIRD ANGLE PROJECTION	DO NOT SCALE DRAWING

Amphenol Canada Corp. Commercial Products	
MRD SERIES RUGGED CONNECTOR, MALE OR FEMALE, 3 POSITIONS, LATCH LOCK, CABLE FIELD ASSEMBLY, IP67 RATING, RoHS COMPLIANT	
DWG NO. P-MRD-BX03-M1X-000	REV C
CODE ID NO. 03554	DWG SIZE X SCALE XX:1 SHEET 2 OF 2

THIS DOCUMENT CONTAINS PROPRIETARY INFORMATION AND SUCH INFORMATION MAY NOT BE DISCLOSED TO OTHERS FOR ANY PURPOSE OR USED FOR MANUFACTURING PURPOSES WITHOUT WRITTEN PERMISSION FROM AMPHENOL CANADA CORP.