

MPC TYPE "DL"

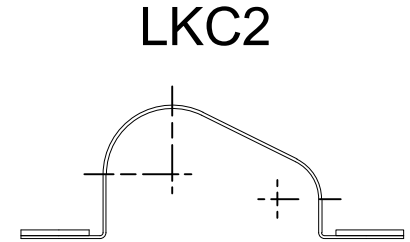
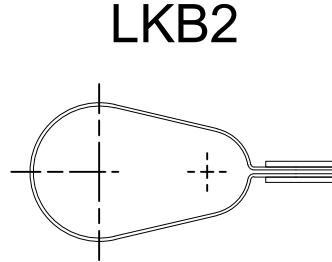
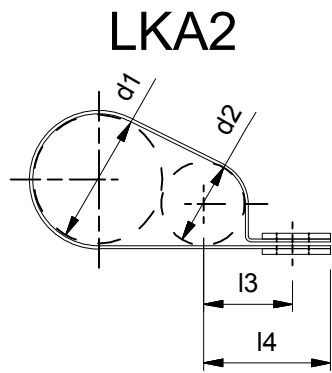
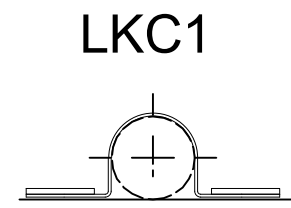
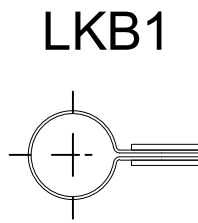
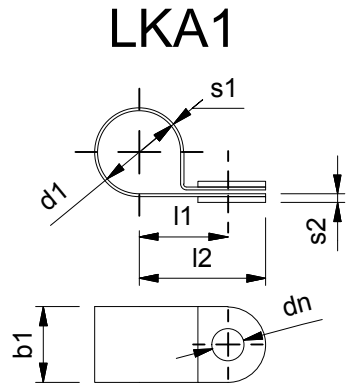


Table for sizes DL fixing clips without rubber

d1 Nominal Ø	b1 Bandwidth	b2	dn Hole Ø	d3	l1	l2	B	H	s1 +0,2 -0,1				s2 +0,2 -0,1			
									W1	W3	W4	W5	W1	W3	W4	W5
4 to 20	9	13±0.8	4.3	5.2	4.7	9.2	5.7	10	0.4				1.4			
4 to 25	12	15±0.8	5.3	5.8	6.8	13	8	14	0.5				1.5			
5 to 14	15	19±1.0	6.4	7.4	9.7	17.2	11.2	19	0.6				1.6			
15 to 45									0.8	0.6		1.8	1.6			
10 to 25	20	25±1.0	8.4	9	12.5	22.5	14.5	25	0.8				2.3			
26 to 50									1	0.8		2.5	2.3			
15 to 49	25	31±1.3	10.5	13	14.5	27	17.5	30	1				2.5			
50 to 150									1.25	1		2.75	2.5			

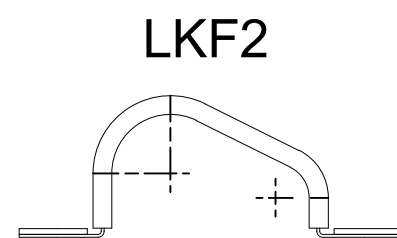
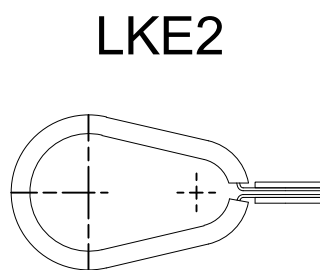
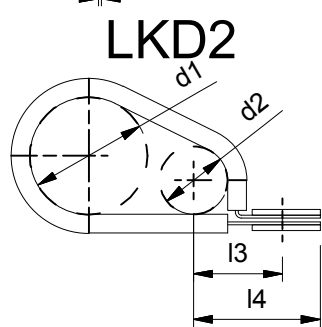
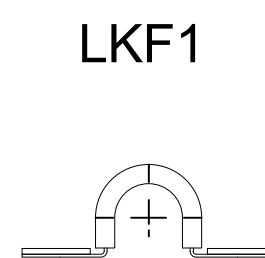
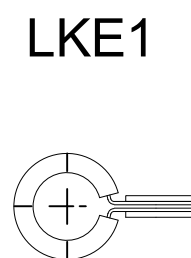
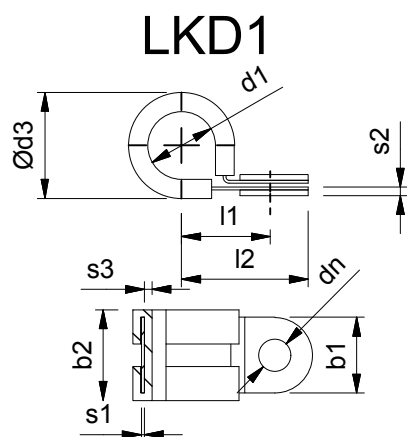


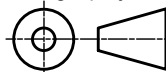
Table for sizes DL fixing clips with rubber

d1 Nominal Ø	b1 Bandwidth	b2	dn Hole Ø	d3	l1	l2	B	H	s1 +0,2 -0,1				s2 +0,2 -0,1				S3 ±0,35
									W1	W3	W4	W5	W1	W3	W4	W5	
4 to 20	9	13±0.8	4.3	5.2	5.7	10.2	5.7	10.2	0.4				1.4				1
4 to 25	12	15±0.8	5.3	5.8	8	14	8	14	0.5				1.5				1.2
5 to 14	15	19±1.0	6.4	7.4	11.2	18.7	11.2	18.7	0.6				1.6				1.5
15 to 45									0.8	0.6		1.8	1.6				
10 to 25	20	25±1.0	8.4	9	14.5	24.5	14.5	24.5	0.8				2.3				2
26 to 50									1	0.8		2.5	2.3				
15 to 49	25	31±1.3	10.5	13	17.5	30	17.5	30	1				2.5				3
50 to 150									1.25	1		2.75	2.5				

NOTICE TO PERSONS RECEIVING THIS DRAWING AND/OR TECHNICAL INFORMATION:
MPC Industries BV claims proprietary rights to the material disclosed hereon. This drawing and/or technical information is issued in confidence for engineering information only and may not be reproduced or used to manufacture anything shown or referred to hereon without direct written permission from MPC Industries BV to the user. This drawing and/or technical information is the property of MPC Industries BV and is loaned for mutual assistance to be returned when its purpose has been served.



Third angle projection:



Material:
W1; W3; W4; W5

Part number:

DL Fixing clips

Description:

MPC DIN 3016-1 Fixing clips

Revision:

Format:

A3

Drawn by: gyula

Creation date: 19-Jul-13

Scale

Units: mm