

PowerXL™

DC1...E1
Variable Frequency Drives
Installation Manual



Powering Business Worldwide

All proprietary names and product designations are brand names or trademarks registered to the relevant title holders.

Break-Down Service

Please call your local representative:

<http://eaton.com/moeller/aftersales>

or

Hotline After Sales Service:

+49 (0) 180 5 223822 (de, en)

AfterSalesEGBonn@eaton.com

For customers in US/Canada contact:

EatonCare Customer Support Center

Call the EatonCare Support Center if you need assistance with placing an order, stock availability or proof of shipment, expediting an existing order, emergency shipments, product price information, returns other than warranty returns, and information on local distributors or sales offices.

Voice: 877-ETN-CARE (386-2273) (8:00 a.m. – 6:00 p.m. EST)

After-Hours Emergency: 800-543-7038 (6:00 p.m. – 8:00 a.m. EST)

Drives Technical Resource Center

Voice: 877-ETN-CARE (386-2273) option 2, option 6

(8:00 a.m. – 5:00 p.m. Central Time U.S. [UTC-6])

email: TRCDrives@Eaton.com

www.eaton.com/drives

Original operating manual

The German-language edition of this document is the original operating manual.

Translation of the original operating manual

All editions of this document other than those in German language are translations of the original operating manual.

1. Edition 2016, publication date 08/16

© 2016 by Eaton Industries GmbH, 53105 Bonn

Authors: Jörg Randermann, Heribert Joachim

Redaction: René Wiegand

All rights reserved, also for the translation.

No part of this manual may be reproduced, stored in a retrieval system, or transmitted in any form or by any means, electronic, mechanical, photocopying, micro-filming, recording or otherwise, without the prior written permission of Eaton Industries GmbH, Bonn.

Subject to alteration.



Danger! **Dangerous electrical voltage!**

Before commencing the installation

- Disconnect the power supply of the device.
- Ensure that devices cannot be accidentally retriggered.
- Verify isolation from the supply.
- Ground and short-circuit.
- Cover or enclose neighbouring units that are live.
- Follow the engineering instructions (IL) of the device concerned.
- Only suitably qualified personnel in accordance with EN 50110-1/-2 (VDE 0105 Part 100) may work on this device/system.
- Before installation and before touching the device ensure that you are free of electrostatic charge.
- The functional earth (FE) must be connected to the protective earth (PE) or to the potential equalizing. The system installer is responsible for implementing this connection.
- Connecting cables and signal lines should be installed so that inductive or capacitive interference do not impair the automation functions.
- Install automation devices and related operating elements in such a way that they are well protected against unintentional operation.
- Suitable safety hardware and software measures should be implemented for the I/O connection so that a cable or wire breakage on the signal side does not result in undefined states in the automation device.
- Ensure a reliable electrical isolation of the low voltage for the 24 V supply. Only use power supply units complying with IEC 60364-4-41 or HD 384.4.41 S2 (VDE 0100 part 410).
- Deviations of the mains voltage from the nominal value must not exceed the tolerance limits given in the technical data, otherwise this may cause malfunction and dangerous operation.
- Emergency-Stop devices complying with IEC/EN 60204-1 must be effective in all operating modes of the automation devices. Unlatching the emergency switching off devices must not cause restart.
- Built-in devices for enclosures or cabinets must only be run and operated in an installed state, desk-top devices or portable devices only when the housing is closed.
- Measures should be taken to ensure the proper restart of programs interrupted after a voltage dip or failure. This should not cause dangerous operating states even for a short time. If necessary, emergency switching off devices should be implemented.
- Wherever faults in the automation system may cause damage to persons or property, external measures must be implemented to ensure a safe operating state in the event of a fault or malfunction (for example, by means of separate limit switches, mechanical interlocks, etc.).
- During operation, and depending on their degree of protection, variable frequency drives may have live, uninsulated, moving, and/or rotating parts, as well as hot surfaces.
- The impermissible removal of the required cover, improper installation or incorrect operation of the motor or variable frequency drive can cause the failure of the device and serious injury and/or material damage.
- Comply with all applicable national accident prevention regulations (e.g. BGV A3) when working with energized variable frequency drives.
- The electrical installation must be carried out in accordance with the relevant regulations (e.g. with regard to cable cross sections, fuses, PE).
- All transport, installation, commissioning and maintenance work must only be carried out by trained personnel (observe IEC 60364, HD 384 or DIN VDE 0100 and national accident prevention regulations).
- If applicable, systems in which variable frequency drives are installed must be equipped with additional monitoring and protective devices in accordance with the applicable safety regulations, e.g., the German Equipment and Product Safety Act, accident prevention regulations, etc. Making changes to the variable frequency drives by using the operating software is allowed.
- Keep all covers and doors closed during operation.
- When designing the machine, the user must incorporate mechanisms and measures that limit the consequences of a drive controller malfunction or failure (an increase in motor speed or the motor's sudden stop) so as to prevent hazards to people and property, e.g.:
 - Additional stand-alone devices for monitoring parameters that are relevant to safety (speed, travel, end positions, etc.)
 - Electrical and non-electrical safety devices (interlocks or mechanical locks) for mechanisms that protect the entire system
 - Due to the possibility of there being capacitors that are still holding a charge, do not touch live device parts or terminals immediately after disconnecting the variable frequency drives from the supply voltage. Heed the corresponding labels on the variable frequency drives

Content

0	About this manual	5
0.1	Target group.....	6
0.2	List of revisions	6
0.2.1	Writing conventions	7
0.2.2	Hazard warnings of material damages	7
0.2.3	Hazard warnings of personal injury	7
0.2.4	Tips.....	7
0.3	Documents with additional information	8
0.4	Abbreviations	8
0.5	Mains supply voltages.....	9
0.6	Units of measurement	9
1	DC1 device series	11
1.1	Introduction	11
1.2	System overview	12
1.3	Checking the Delivery	13
1.4	Rated operational data	14
1.4.1	Rated operational data on the nameplate	14
1.4.2	Catalog number selection	16
1.4.3	Features	17
1.5	Description.....	24
1.5.1	IP20 degree of protection (FS1 to FS4).....	24
1.5.2	IP66 degree of protection (FS1 to FS3).....	25
1.6	Voltage categories.....	26
1.7	Selection Criteria	28
1.8	Output reduction (derating)	29
1.9	Proper use.....	31
1.10	Maintenance and inspection	32
1.11	Storage.....	32
1.12	Charging the internal DC link capacitors	33
1.13	Service and warranty.....	33
2	Engineering.....	35
2.1	Introduction	35
2.2	Electrical power network	37
2.2.1	Mains terminal and configuration.....	37
2.2.2	Mains voltage and frequency	38
2.2.3	Voltage balance	38
2.2.4	Total Harmonic Distortion (THD)	39
2.2.5	Reactive power compensation devices	39

2.3	Cable cross-sections	39
2.4	Safety and switching.....	40
2.4.1	Disconnecting device.....	40
2.4.2	Fuses	40
2.4.3	Residual current circuit-breaker (RCD).....	41
2.4.4	Mains contactors	41
2.5	Mains chokes.....	42
2.6	Radio interference suppression filter.....	43
2.7	Braking resistances.....	44
2.8	Motor chokes.....	47
2.9	Sine filter.....	48
2.10	Switching to the output side.....	49
2.10.1	Contactors.....	49
2.10.2	switch-disconnectors	50
2.10.3	Bypass circuit.....	51
2.10.4	Connecting Motors in Parallel.....	52
2.11	Three-phase motors.....	54
2.11.1	Motor Selection	54
2.11.2	Circuit types with three-phase motors.....	55
2.11.3	Permanent magnet motor (PM motor),	56
2.11.4	Brushless DC motors (BLDC motors).....	56
2.11.5	Synchronous reluctance motor (SynRM)	57
2.11.6	Single-phase AC motors	58
2.11.7	Connecting EX motors	58
3	Installation.....	59
3.1	Introduction.....	59
3.2	Mounting position	59
3.3	Mounting	60
3.3.1	Mounting position	61
3.3.2	Cooling measures	61
3.3.3	fixing	64
3.4	IP66 / NEMA4X degree of protection	67
3.5	EMC installation.....	68
3.5.1	EMC measures in the control panel.....	68
3.5.2	Earthing.....	70
3.5.3	Internal filters (EMC and VAR screws).....	71
3.5.4	Screen earth kit.....	73
3.5.5	EMC cable brackets	74
3.5.6	General installation diagram.....	76
3.6	Electrical Installation	77
3.6.1	Connection to power section.....	78
3.6.2	Connection on control section	89
3.6.3	Thermistor connection	100

3.7	Block diagrams.....	101
3.7.1	DC1-1D.....	102
3.7.2	DC1-12.....	103
3.7.3	DC1-32..., DC1-34... (in FS1, FS2, FS3).....	104
3.7.4	DC1-32..., DC1-34... (in FS4).....	105
3.7.5	DC1-1D...Nx-A6S.....	106
3.7.6	DC1-1D...Nx-A66.....	108
3.7.7	DC1-12...-A6S.....	109
3.7.8	DC1-12...-A66.....	110
3.7.9	DC1-32...-A6S..., DC1-34...-A6S.....	111
3.7.10	DC1-32...-A66..., DC1-34...-A66.....	113
3.8	Insulation testing.....	114
3.9	Protection against electric shock.....	115
4	Operational.....	117
4.1	Checklist for commissioning.....	117
4.2	Operational hazard warnings.....	118
4.3	Commissioning with control signal terminals (default settings)... ..	120
4.4	Commissioning with local controls.....	122
4.5	Handling the keypad.....	124
4.5.1	Operating unit elements.....	124
4.5.2	Parameter structure.....	126
4.5.3	Keypad usage examples.....	127
4.6	Help leaflets.....	129
5	Error Messages.....	133
5.1	Introduction.....	133
5.2	Fault History.....	133
5.2.1	Acknowledge error message (Reset).....	133
5.2.2	Fault log.....	133
5.3	Fault list.....	134
5.4	Fault diagnostics.....	136
6	Technical Data.....	137
6.1	General rating data.....	137
6.2	Specific rated operational data.....	141
6.2.1	DC1-1D...device series.....	142
6.2.2	DC1-12...device series.....	143
6.2.3	DC1-32... device series.....	144
6.2.4	DC1-34...device series.....	146
6.3	Dimensions.....	148
6.3.1	Sizes FS1 to FS3 in IP20.....	148
6.3.2	Size FS4 in IP20.....	149
6.3.3	Sizes FS1 to FS3 in IP66.....	150

6.4	Cable cross-sections	151
6.5	Fuses	153
6.6	Mains contactors	156
6.7	Mains chokes.....	159
6.8	Radio interference suppression filter	161
6.9	Braking resistances.....	165
6.10	Motor chokes.....	169
6.11	Sine filter.....	171
7	Accessories.....	173
7.1	Device-specific accessories.....	173
7.1.1	DXC-EXT-IO... coupling module.....	174
7.1.2	DXC-EXT-2RO output expansion.....	176
7.1.3	DXC-EXT-2RO1AO output expansion	178
7.1.4	DXC-EXT-LOCSIM simulator.....	180
7.2	General accessories (List).....	181
	Index	183

0 About this manual

This manual (MN040023EN) goes over the DC1 variable frequency drives belonging to the DC1-...E1 model series. These models are enhanced versions (E = Enhanced) of the basic DC1-...-N version described in manual MN04020003Z.

Some of the most important enhancements include:

- Coated boards (DC1-...-CE1):
This refers to units in which a conformal coating has been applied to the printed circuit board (PCB). This conformal coating provides enhanced protection from moisture and soiling and helps extend the device's life.
- Vector mode:
In addition to standard V/Hz control, DC1-...E1 variable frequency drives also feature a vector control mode for normal induction motors (asynchronous motors) and high-efficiency motors (PM = Permanent magnet motors, BLDC = Brushless DC motors, SyncRM = Synchronous reluctance motors).
- Additional parameters:
The number of P00-... display parameters has been expanded to 50, while the extended parameter set (P-17 = 101) has been expanded to include up to parameter P-59. Moreover, an additional parameter set for high-efficiency motors has been incorporated for vector control (P-17 = 201).
- Fire mode:
Fire mode refers to a special operating mode available on DC1-...E1 variable frequency drives that ensures that fan and pump motors will continue to run even in the event of a fire.
- Optional accessories:
For cases in which an external keypad needs to be connected to a DC1-...E1 variable frequency drive, either model DX-KEY-LED2 or DX-KEY-OLED with a software update is required. Meanwhile, DX-COM-STICK2 is the model required when a parameter memory storage device and/or PC communications with Bluetooth are needed. DX-KEY-LED and DX-COM-STICK will not work with DC1-...E1 variable frequency drives!



This manual (MN040023EN) describes firmware version 2.00 and higher.

0 About this manual

0.1 Target group



“Parameter manual”

A separate manual – MN040022EN (“Parameter Manual”) – goes over how to configure the parameters for DC1-...E1 variable frequency drives and provides application examples as well.

This manual is available on the Eaton website at:

<http://www.eaton.de/EN/EatonDE/ProdukteundLoesungen/Electrical/Kundensupport/DownloadCenter/index.htm>

→ Customer support → Download Center – Documentation

In the **Quick Search** box, enter “MN040022EN”. Then click on **Search**.

0.1 Target group

This MN040023EN manual is intended for engineers and electricians. Electrical engineering and physics-related knowledge and skills will be required in order to be able to commission the corresponding devices.

We assume that you have a good knowledge of engineering basics and that you are familiar with handling electrical systems and machines, as well as with reading technical drawings.

0.2 List of revisions

The following significant amendments have been introduced since previous issues:

Publication date	Page	Keyword	new	modified	deleted
08/16		Initial issue			

0.2.1 Writing conventions

Symbols with the following meaning are used in this manual:

- ▶ Indicates instructions to be followed.

0.2.2 Hazard warnings of material damages

NOTICE

Warns about the possibility of material damage.

0.2.3 Hazard warnings of personal injury



CAUTION

Warns of the possibility of hazardous situations that may possibly cause slight injury.



WARNING

Warns of the possibility of hazardous situations that could result in serious injury or even death.



DANGER

Warns of hazardous situations that result in serious injury or death.

0.2.4 Tips



Indicates useful tips.



In order to make it easier to understand some of the figures included in this manual, the variable frequency drive housing, as well as other safety-relevant parts, has been left out. However, it is important to note that the variable frequency drive must always be operated with its housing in its proper place, as well as with all required safety-relevant parts.



All the specifications in this manual refer to the hardware and software versions documented in it.

0 About this manual

0.3 Documents with additional information

0.3 Documents with additional information



More information on the devices described here can be found on the Internet under:

www.eaton.eu/powerxl

as well as in EATON Download Center:

<http://www.eaton.de/EN/EatonDE/ProdukteundLoesungen/Electrical/Kundensupport/DownloadCenter/index.htm>

In the **Quick Search** box, enter the document name ("MN040022", for example).

0.4 Abbreviations

The following abbreviations are used in this manual:

dec	Decimal (base-10 numeral system)
DS	Default settings
EMC	Electromagnetic compatibility
FE	Functional earth
FS	Frame Size
FWD	Forward run (clockwise rotating field)
GND	Ground (0-V-potential)
hex	Hexadecimal (base-16 numeral system)
ID	Identifier (unique ID)
IGBT	Insulated gate bipolar transistor
LED	Light Emitting Diode (LED)
OLED	Organic Light Emitting Diode
PC	Personal Computer
PDS	Power Drive System
PE 	Protective earth
PES	EMC connection to PE for screened lines
PNU	Parameter number
REV	Reverse run (anticlockwise rotation field active)
ro	Read Only (read access only)
rw	Read/Write (read/write access)
SCCR	Short Circuit Current Rating
UL	Underwriters Laboratories

0.5 Mains supply voltages

The rated operating voltages stated in the following table are based on the standard values for networks with a grounded star point.

In ring networks (as found in Europe) the rated operating voltage at the transfer point of the power supply companies is the same as the value in the consumer networks (e.g. 230 V, 400 V).

In star networks (as found in North America), the rated operating voltage at the transfer point of the utility companies is higher than in the consumer network.

Example: 120 V → 115 V, 240 V → 230 V, 480 V → 460 V.

The DC1 variable frequency drive's wide tolerance range takes into account a permissible voltage drop of 10% (i.e. $U_{LN} - 10\%$) while, in the 400-V category, it takes into account the North American mains voltage of 480 V + 10 % (60 Hz).

The rated mains voltage operational data is always based on mains frequencies of 50/60 Hz within a range of 48 to 62 Hz.



The permissible power supply for the DC1 series can be found in → Section 1.4.3 "Features", page 17.

0.6 Units of measurement

Every physical dimension included in this manual uses international metric system units, otherwise known as SI (Système International d'Unités) units. For the purpose of the equipment's UL certification, some of these dimensions are accompanied by their equivalents in imperial units.

Table 1: Unit conversion examples

Designation	US-American Designation	US-American value	SI value	Conversion value
Length	inch	1 in (")	25.4 mm	0.0394
Performance	horsepower	1 HP = 1.014 PS	0.7457 kW	1.341
Torque	pound-force inches	1 lbf in	0.113 Nm	8.851
temperature	Fahrenheit	1 °F (T_F)	-17.222 °C (T_C)	$T_F = T_C \times 9/5 + 32$
Rotational speed	Revolutions per minute	1 rpm	1 min ⁻¹	1
Weight	pound	1 lb	0.4536 kg	2.205
Flow rate	cubic feed per minute	1 cfm	1.698 m ³ /min	0.5889

0 About this manual

0.6 Units of measurement

1 DC1 device series

1.1 Introduction

Due to their ease of use and high reliability, DC1 PowerXL™ variable frequency drives are ideal for general applications involving three-phase motors. In addition, an integrated radio interference suppression filter and a flexible interface ensure that the inverters meet a number of important needs in the machine building industry when it comes to the optimization of production and manufacturing processes.

For installations in control panels, devices with a performance range of 0.37 (for 230 V) to 22 kW (for 400 V) are available in a compact and sturdy design featuring three available sizes (FS1, FS2, FS3, FS4) and a degree of protection of IP20.

For distributed local installations, there are three sizes covering a performance range of 0.37 (for 230 V) to 7.5 kW (for 400 V) and featuring a degree of protection of IP66. These models come in two versions: with and without local controls. These local controls include a setpoint potentiometer, a selector switch for switching operating directions, and a lockable main switch on the mains side.

The computer-based drivesConnect parameter configuration program ensures data integrity and reduces the time required for commissioning and maintenance.

In addition, the comprehensive accessories available increase the inverters' flexibility in all scopes of application.

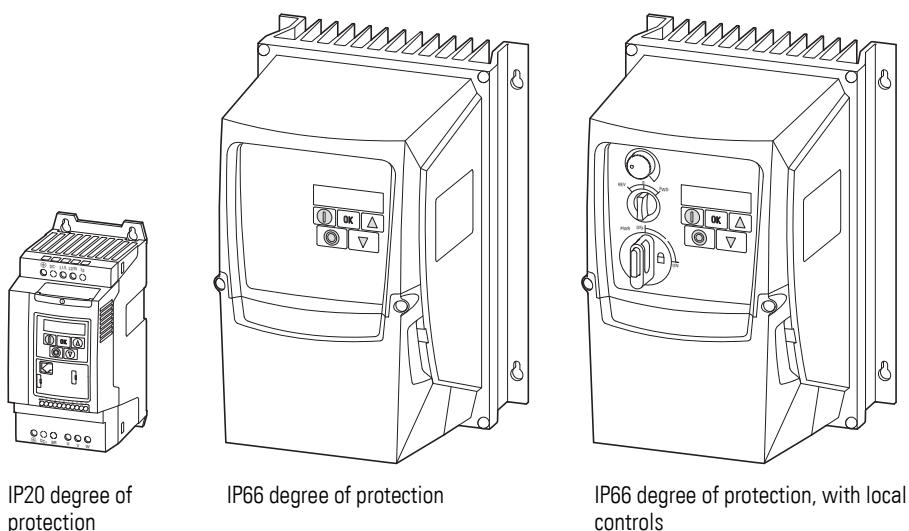


Figure 1: Designs and enclosure versions

1.2 System overview

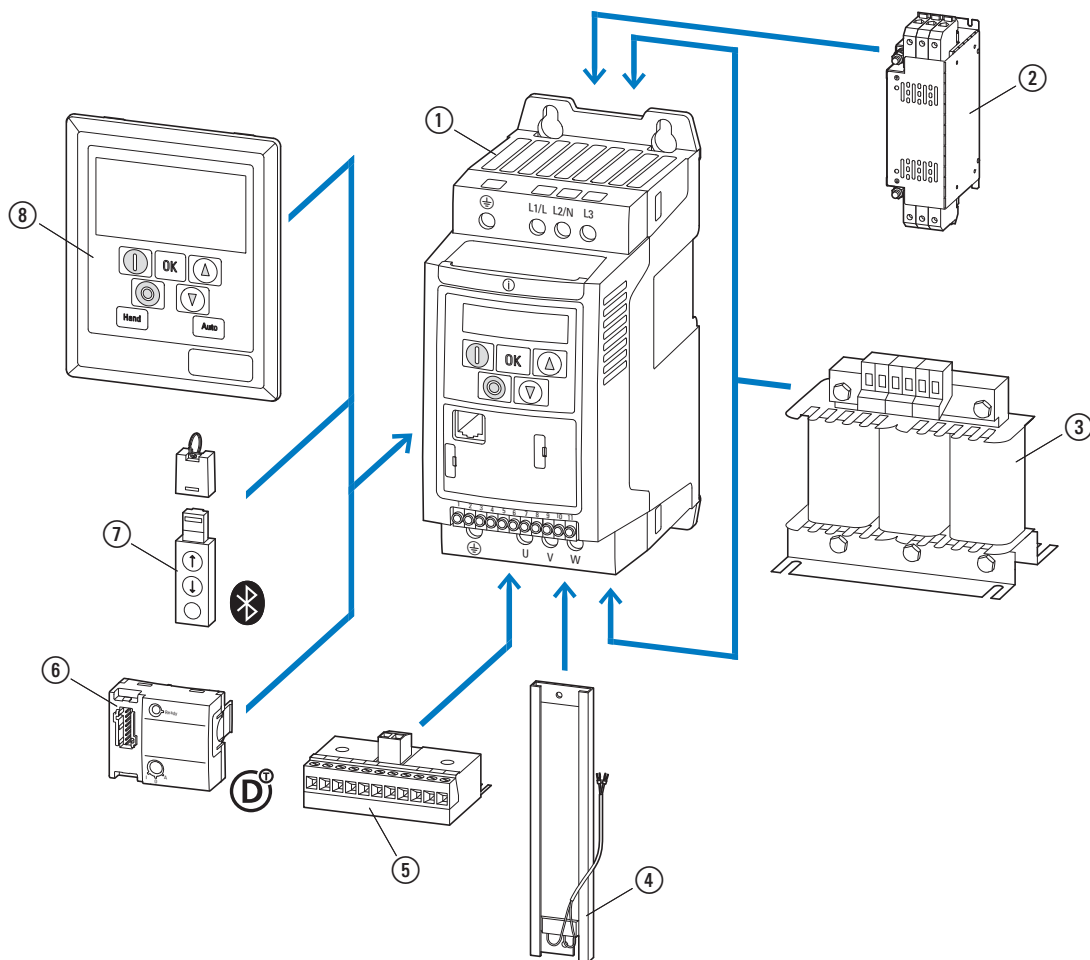


Figure 2: System overview (example: size FS1, degree of protection IP20)

- ① DC1-... variable frequency drives
- ② Extern radio interference suppression filter DX-EMC...
- ③ DX-LN... mains choke, DX-LM3-... motor choke, DX-SIN3-... sine filter
- ④ DX-BR... braking resistance
- ⑤ DXC-EXT-... expansion module
- ⑥ DX-NET-SWD3 SmartWire-DT interface
- ⑦ DX-COM-STICK communication module and accessories (e. g. DX-CBL-... connection cable)
- ⑧ DE-KEY-... keypad (external)

1.3 Checking the Delivery



Before opening the package, please check the nameplate on it to make sure that you received the correct variable frequency drive.

The DC1 series variable frequency drives are carefully packaged and prepared for delivery. The devices should be shipped only in their original packaging with suitable transportation materials. Please take note of the labels and instructions on the packaging, as well as of those meant for the unpacked device.

Open the packaging with adequate tools and inspect the contents immediately after receipt in order to ensure that they are complete and undamaged.

The packaging must contain the following parts:

- DC1 series variable frequency drive,
- an instructional leaflet
 - IL04020009Z for devices with an IP20 degree of protection
 - IL040024ZU for devices with IP20 degree of protection with size FS4
 - IL04020013Z for devices with an IP66 degree of protection

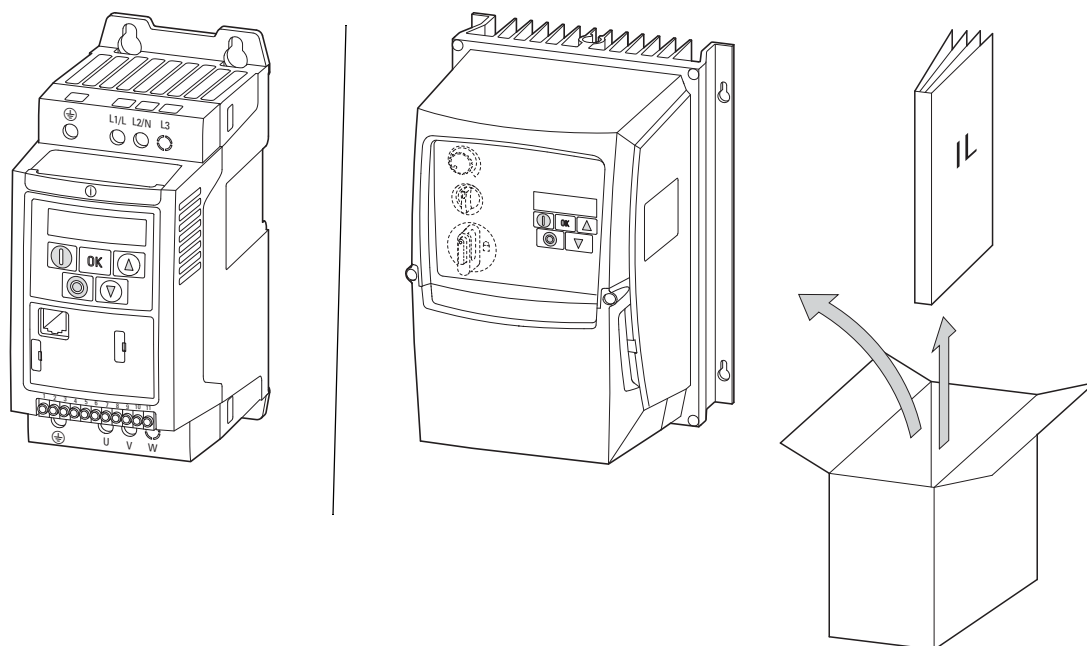


Figure 3: Equipment supplied (example: devices with IP20 / IP66 degree of protection with instruction leaflet)

1.4 Rated operational data

1.4.1 Rated operational data on the nameplate

The device-specific rated operational data of the DC1 variable frequency drive is listed on the nameplate of the device.

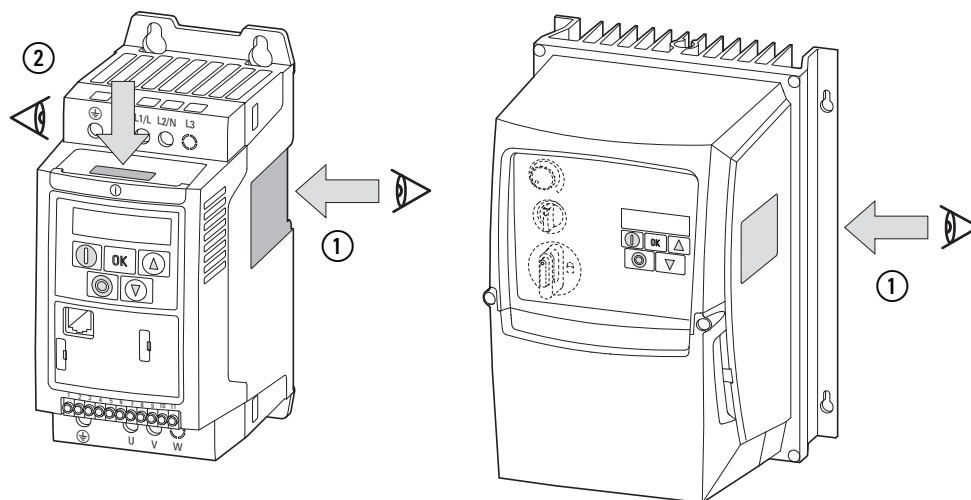



Figure 4: Nameplate location

The nameplate on top (nameplate ②) is a simplified version that can be used to clearly identify the device if the main nameplate (nameplate ①) is blocked by other devices.

Nameplate inscription

The inscription of the nameplate has the following meaning (example):

Inscription	Meaning
DC1-344D1FB-A20CE1	Part no.: DC1 = DC1 series variable frequency drive 3 = Three-phase mains connection / three-phase motor connection 4 = 400 V mains voltage category 4D1 = 4.1 A rated operational current (4-decimal-1, output current) F = Integrated radio interference suppression filter B = Integrated brake chopper A = LED display (7-segment text display) 20 = IP20 degree of protection C = Coated boards E1 = Expansion, version 1
Input	Rated operational data of mains connection Three-phase AC voltage (U_e 3~ AC), 380 - 480 V voltage, 50/60 Hz frequency, input phase current (5.6 A).
Output	Load side (motor) rated operational data: Three-phase AC voltage (0 - U_e), output phase current (4.1 A), output frequency (0 - 500 Hz) Assigned motor output: 1.5 kW with a voltage of 400 V/2 HP with a voltage of 460 V for a four-pole, internally cooled or surface-cooled three-phase asynchronous motor (1500 rpm at 50 Hz/1800 rpm at 60 Hz)
Serial No.:	Serial number
IP20	Degree of protection of the housing: IP 20, UL (cUL) Open Type
Software	Software version (2.0)
25072016	Manufacturing date: 07-25-2016
Max amb. 50 °C	Maximum permissible ambient air temperature (50 °C)
	Variable frequency drive is an electrical apparatus. Read the manual (in this case MN040023EN) before making any electrical connections and commissioning.

1 DC1 device series
 1.4 Rated operational data

1.4.2 Catalog number selection

The catalog no. or part no. for the DC1 series of variable frequency drives is made up of four sections.

Series – Power section – Model – Version

The following figure shows it in greater detail:

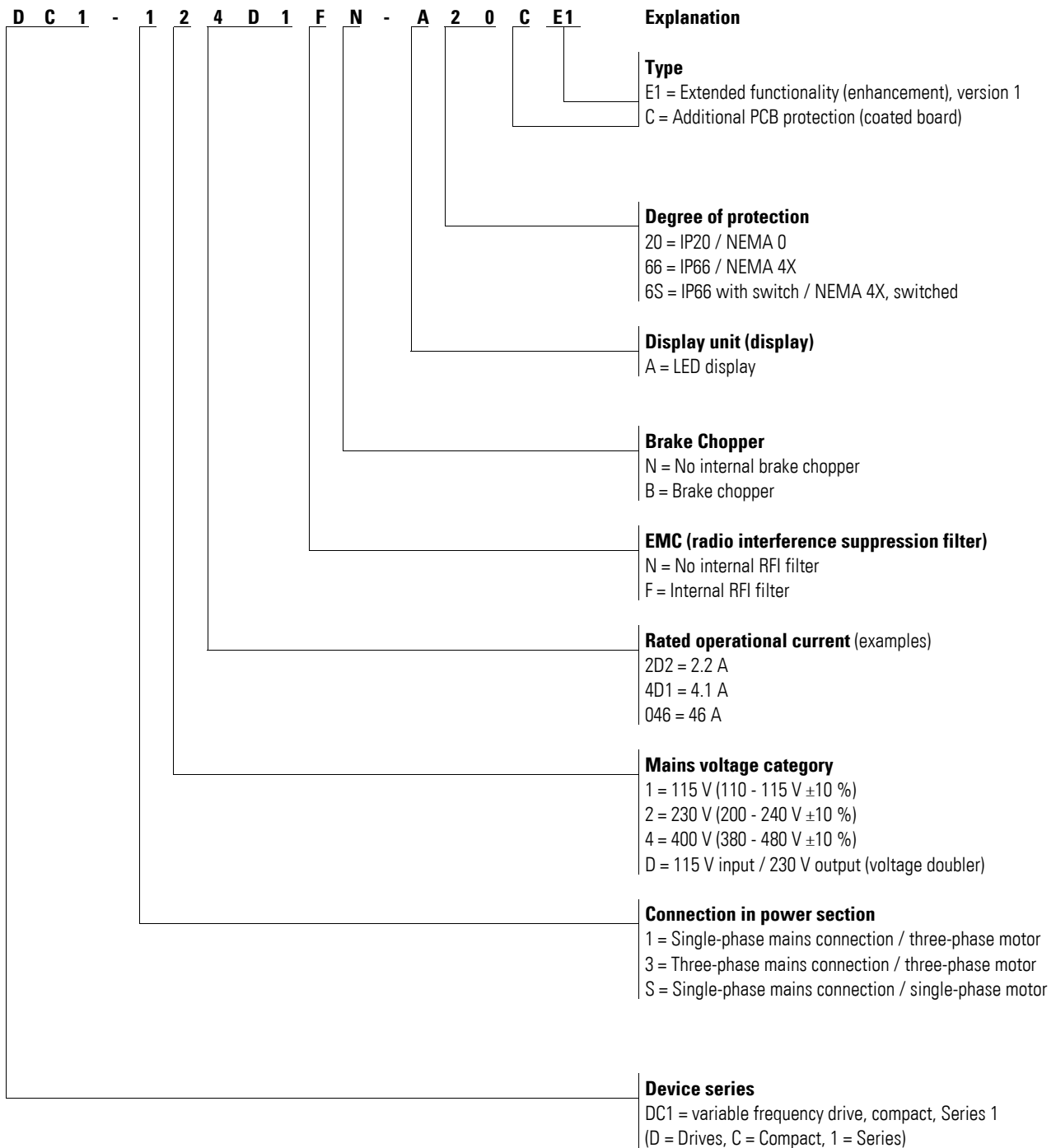


Figure 5: Catalog number selection

1.4.3 Features

1.4.3.1 DC1-1D...device series

Mains voltage: 1 AC 110 - 115 V ($\pm 10\%$), 50/60 Hz

Output voltage: 3 AC 230 V, 50/60 Hz



An internal voltage doubler will increase the mains supply voltage to 230 V (output voltage).

Part no.	rated operational current I_e A	Assigned Instance Motor Power		Display (operating unit)	Local controls	Radio interference suppression filter	Degree of protection	Size	Brake chopper
		P1) (230 V, 50 Hz) kW	P2) (230 V, 60 Hz) HP						
DC1-1D2D3NN-A20CE1	2.3	0.37	1/2	LED	–	–	IP20	FS1	–
DC1-1D2D3NN-A66CE1	2.3	0.37	1/2	LED	–	–	IP66_x	FS1	–
DC1-1D2D3NN-A6SCE1	2.3	0.37	1/2	LED	✓	–	IP66_x	FS1	–
DC1-1D4D3NN-A20CE1	4.3	0.75	1	LED	–	–	IP20	FS1	–
DC1-1D4D3NN-A66CE1	4.3	0.75	1	LED	–	–	IP66_x	FS1	–
DC1-1D4D3NN-A6SCE1	4.3	0.75	1	LED	✓	–	IP66_x	FS1	–
DC1-1D5D8NN-A20CE1	5.8	1.1	1-1/2	LED	–	–	IP20	FS2	✓
DC1-1D5D8NN-A66CE1	5.8	1.1	1-1/2	LED	–	–	IP66_x	FS2	✓
DC1-1D5D8NN-A6SCE1	5.8	1.1	1-1/2	LED	✓	–	IP66_x	FS2	✓

1) As per IEC standards

2) As per UL 61800-5-1, Table DVE.1, March 6, 2015

1 DC1 device series
1.4 Rated operational data

1.4.3.2 DC1-12...device series

Mains voltage: 1 AC 220 - 240 V ($\pm 10\%$), 50/60 Hz

Output voltage: 3 AC 220 - 240 V, 50/60 Hz

Part no.	rated operational current I_e A	Assigned Instance Motor Power		Display (operating unit)	Local controls	Radio interference suppression filter	Degree of protection	Size	Brake chopper
		P1) (230 V, 50 Hz)	P2) (220-240V, 60 Hz)						
		kW	HP						
DC1-122D3NN-A20CE1	2.3	0.37	1/2	LED	–	–	IP20	FS1	–
DC1-122D3FN-A20CE1	2.3	0.37	1/2	LED	–	✓	IP20	FS1	–
DC1-122D3NN-A66CE1	2.3 ³⁾	0.37	1/2	LED	–	–	IP66_x	FS1	–
DC1-122D3FN-A66CE1	2.3 ³⁾	0.37	1/2	LED	–	✓	IP66_x	FS1	–
DC1-122D3NN-A6SCE1	2.3 ³⁾	0.37	1/2	LED	✓	–	IP66_x	FS1	–
DC1-122D3FN-A6SCE1	2.3 ³⁾	0.37	1/2	LED	✓	✓	IP66_x	FS1	–
DC1-124D3NN-A20CE1	4.3	0.75	1	LED	–	–	IP20	FS1	–
DC1-124D3FN-A20CE1	4.3	0.75	1	LED	–	✓	IP20	FS1	–
DC1-124D3NN-A66CE1	4.3 ³⁾	0.75	1	LED	–	–	IP66_x	FS1	–
DC1-124D3FN-A66CE1	4.3 ³⁾	0.75	1	LED	–	✓	IP66_x	FS1	–
DC1-124D3NN-A6SCE1	4.3 ³⁾	0.75	1	LED	✓	–	IP66_x	FS1	–
DC1-124D3FN-A6SCE1	4.3 ³⁾	0.75	1	LED	✓	✓	IP66_x	FS1	–
DC1-127D0NN-A20CE1	7	1.5	2	LED	–	–	IP20	FS1	–
DC1-127D0FN-A20CE1	7	1.5	2	LED	–	✓	IP20	FS1	–
DC1-127D0NB-A20CE1	7	1.5	2	LED	–	–	IP20	FS2	✓
DC1-127D0FB-A20CE1	7	1.5	2	LED	–	✓	IP20	FS2	✓
DC1-127D0NN-A66CE1	7 ³⁾	1.5	2	LED	–	–	IP66_x	FS1	–
DC1-127D0FN-A66CE1	7 ³⁾	1.5	2	LED	–	✓	IP66_x	FS1	–
DC1-127D0NB-A66CE1	7 ³⁾	1.5	2	LED	–	–	IP66_x	FS2	✓
DC1-127D0FB-A66CE1	7 ³⁾	1.5	2	LED	–	✓	IP66_x	FS2	✓
DC1-127D0NN-A6SCE1	7 ³⁾	1.5	2	LED	✓	–	IP66_x	FS1	–
DC1-127D0FN-A6SCE1	7 ³⁾	1.5	2	LED	✓	✓	IP66_x	FS1	–
DC1-127D0NB-A6SCE1	7 ³⁾	1.5	2	LED	✓	–	IP66_x	FS2	✓
DC1-127D0FB-A6SCE1	7 ³⁾	1.5	2	LED	✓	✓	IP66_x	FS2	✓
DC1-12011NB-A20CE1	10.5 ⁶⁾	2.2	3	LED	–	–	IP20	FS2	✓
DC1-12011FB-A20CE1	10.5 ⁶⁾	2.2	3	LED	–	✓	IP20	FS2	✓
DC1-12011NB-A66CE1	10.5 ³⁾	2.2	3	LED	–	–	IP66_x	FS2	✓
DC1-12011FB-A66CE1	10.5 ³⁾	2.2	3	LED	–	✓	IP66_x	FS2	✓

1 DC1 device series
1.4 Rated operational data

Part no.	rated operational current I_e A	Assigned Instance Motor Power		Display (operating unit)	Local controls	Radio interference suppression filter	Degree of protection	Size	Brake chopper
		P1) (230 V, 50 Hz) kW	P2) (220-240V, 60 Hz) HP						
DC1-12011NB-A6SCE1	10.5 ³⁾	2.2	3	LED	✓	–	IP66_x	FS2	✓
DC1-12011FB-A6SCE1	10.5 ³⁾	2.2	3	LED	✓	✓	IP66_x	FS2	✓
DC1-12015NB-A20CE1	15.3 ⁵⁾	4	5	LED	–	–	IP20	FS3	✓
DC1-12015NB-A66CE1	15.3 ⁵⁾	4	5	LED	–	–	IP66_x	FS3	✓
DC1-12015NB-A6SCE1	15.3 ⁵⁾	4	5	LED	✓	–	IP66_x	FS3	✓

1) As per IEC standards

2) As per UL 61800-5-1, Table DVE.1, March 6, 2015

3) Rated operational current at switching frequencies of up to 16 kHz and ambient temperatures of up to +40 °C

4) Rated operational current at switching frequencies of up to 8 kHz and ambient temperatures of up to +50 °C

5) Rated operational current at switching frequencies of up to 8 kHz and ambient temperatures of up to +40 °C

6) For UL conformity: Rated operational current at ambient temperatures of up to +45 °C over a period of 24 hours

1 DC1 device series
1.4 Rated operational data

1.4.3.3 DC1-32... device series

Mains voltage: 3 AC 220 - 240 V (±10 %), 50/60 Hz

Output voltage: 3 AC 220 - 240 V, 50/60 Hz

Part no.	rated operational current I_e A	Assigned Instance Motor Power		Display (operating unit)	Local controls	Radio interference suppression filter	Degree of protection	Size	Brake chopper
		P1) (230 V, 50 Hz) kW	P2) (220-240V, 60 Hz) HP						
DC1-322D3NN-A20CE1	2.3	0.37	1/2	LED	–	–	IP20	FS1	–
DC1-322D3NN-A66CE1	2.3 ³⁾	0.37	1/2	LED	–	–	IP66_x	FS1	–
DC1-322D3NN-A6SCE1	2.3 ³⁾	0.37	1/2	LED	✓	–	IP66_x	FS1	–
DC1-324D3NN-A20CE1	4.3	0.75	1	LED	–	–	IP20	FS1	–
DC1-324D3NN-A66CE1	4.3 ³⁾	0.75	1	LED	–	–	IP66_x	FS1	–
DC1-324D3NN-A6SCE1	4.3 ³⁾	0.75	1	LED	✓	–	IP66_x	FS1	–
DC1-327D0NN-A20CE1	7	1.5	2	LED	–	–	IP20	FS1	–
DC1-327D0NB-A20CE1	7	1.5	2	LED	–	–	IP20	FS2	✓
DC1-327D0FB-A20CE1	7	1.5	2	LED	–	✓	IP20	FS2	✓
DC1-327D0NN-A66CE1	7 ³⁾	1.5	2	LED	–	–	IP66_x	FS1	–
DC1-327D0NB-A66CE1	7 ³⁾	1.5	2	LED	–	–	IP66_x	FS2	✓
DC1-327D0FB-A66CE1	7 ³⁾	1.5	2	LED	–	✓	IP66_x	FS2	✓
DC1-327D0NN-A6SCE1	7 ³⁾	1.5	2	LED	✓	–	IP66_x	FS1	–
DC1-327D0NB-A6SCE1	7 ³⁾	1.5	2	LED	✓	–	IP66_x	FS2	✓
DC1-327D0FB-A6SCE1	7 ³⁾	1.5	2	LED	✓	✓	IP66_x	FS2	✓
DC1-32011NB-A20CE1	10.5 ⁶⁾	2.2	3	LED	–	–	IP20	FS2	✓
DC1-32011FB-A20CE1	10.5 ⁶⁾	2.2	3	LED	–	✓	IP20	FS2	✓
DC1-32011NB-A66CE1	10.5 ⁶⁾	2.2	3	LED	–	–	IP66_x	FS2	✓
DC1-32011FB-A66CE1	10.5 ⁶⁾	2.2	3	LED	–	✓	IP66_x	FS2	✓
DC1-32011NB-A6SCE1	10.5 ⁶⁾	2.2	3	LED	✓	–	IP66_x	FS2	✓
DC1-32011FB-A6SCE1	10.5 ⁶⁾	2.2	3	LED	✓	✓	IP66_x	FS2	✓
DC1-32018NB-A20CE1	18	4	5	LED	–	–	IP20	FS3	✓
DC1-32018FB-A20CE1	18	4	5	LED	–	✓	IP20	FS3	✓
DC1-32018NB-A66CE1	18 ⁵⁾	4	5	LED	–	–	IP66_x	FS3	✓
DC1-32018FB-A66CE1	18 ⁵⁾	4	5	LED	–	✓	IP66_x	FS3	✓
DC1-32018NB-A6SCE1	18 ⁵⁾	4	5	LED	✓	–	IP66_x	FS3	✓
DC1-32018FB-A6SCE1	18 ⁵⁾	4	5	LED	✓	✓	IP66_x	FS3	✓

1 DC1 device series
1.4 Rated operational data

Part no.	rated operational current I_e A	Assigned Instance Motor Power		Display (operating unit)	Local controls	Radio interference suppression filter	Degree of protection	Size	Brake chopper
		P1) (230 V, 50 Hz) kW	P2) (220-240V, 60 Hz) HP						
DC1-32024NB-A20CE1	24	5.5	7-1/2	LED	–	–	IP20	FS3	✓
DC1-32024FB-A20CE1	24	5.5	7-1/2	LED	–	✓	IP20	FS3	✓
DC1-32030NB-A20CE1	30	7.5	10	LED	–	–	IP20	FS4	✓
DC1-32030FB-A20CE1	30	7.5	10	LED	–	✓	IP20	FS4	✓
DC1-32046NB-A20CE1	46	11	15	LED	–	–	IP20	FS4	✓
DC1-32046FB-A20CE1	46	11	15	LED	–	✓	IP20	FS4	✓

- 1) As per IEC standards
- 2) As per UL 61800-5-1, Table DVE.1, March 6, 2015
- 3) Rated operational current at switching frequencies of up to 16 kHz and ambient temperatures of up to +40 °C
- 4) Rated operational current at switching frequencies of up to 8 kHz and ambient temperatures of up to +50 °C
- 5) Rated operational current at switching frequencies of up to 8 kHz and ambient temperatures of up to +40 °C
- 6) For UL conformity: Rated operational current at ambient temperatures of up to +45 °C over a period of 24 hours

1 DC1 device series

1.4 Rated operational data

1.4.3.4 DC1-34...device series

Mains voltage: 3 AC 380 - 480 V ($\pm 10\%$), 50/60 Hz

Output voltage: 3 AC 380 - 480 V, 50/60 Hz

Part no.	rated operational current I_e A	Assigned Instance Motor Power		Display (operating unit)	Local controls	Radio interference suppression filter	Degree of protection	Size	Brake chopper
		P1) (400 V, 50 Hz) kW	P2) (440-480 V, 60 Hz) HP						
DC1-342D2NN-A20CE1	2.2	0.75	1	LED	–	–	IP20	FS1	–
DC1-342D2FN-A20CE1	2.2	0.75	1	LED	–	✓	IP20	FS1	–
DC1-342D2NN-A66CE1	2.2 ³⁾	0.75	1	LED	–	–	IP66_x	FS1	–
DC1-342D2FN-A66CE1	2.2 ³⁾	0.75	1	LED	–	✓	IP66_x	FS1	–
DC1-342D2NN-A6SCE1	2.2 ³⁾	0.75	1	LED	✓	–	IP66_x	FS1	–
DC1-342D2FN-A6SCE1	2.2 ³⁾	0.75	1	LED	✓	✓	IP66_x	FS1	–
DC1-344D1NN-A20CE1	4.1	1.5	2	LED	–	–	IP20	FS1	–
DC1-344D1NB-A20CE1	4.1	1.5	2	LED	–	–	IP20	FS2	✓
DC1-344D1FN-A20CE1	4.1	1.5	2	LED	–	✓	IP20	FS1	–
DC1-344D1FB-A20CE1	4.1	1.5	2	LED	–	✓	IP20	FS2	✓
DC1-344D1NN-A66CE1	4.1 ³⁾	1.5	2	LED	–	–	IP66_x	FS1	–
DC1-344D1NB-A66CE1	4.1 ³⁾	1.5	2	LED	–	–	IP66_x	FS2	✓
DC1-344D1FN-A66CE1	4.1 ³⁾	1.5	2	LED	–	✓	IP66_x	FS1	–
DC1-344D1FB-A66CE1	4.1 ³⁾	1.5	2	LED	–	✓	IP66_x	FS2	✓
DC1-344D1NN-A6SCE1	4.1 ³⁾	1.5	2	LED	✓	–	IP66_x	FS1	–
DC1-344D1NB-A6SCE1	4.1 ³⁾	1.5	2	LED	✓	–	IP66_x	FS2	✓
DC1-344D1FN-A6SCE1	4.1 ³⁾	1.5	2	LED	✓	✓	IP66_x	FS1	–
DC1-344D1FB-A6SCE1	4.1 ³⁾	1.5	2	LED	✓	✓	IP66_x	FS2	✓
DC1-345D8NB-A20CE1	5.8	2.2	3	LED	–	–	IP20	FS2	✓
DC1-345D8FB-A20CE1	5.8	2.2	3	LED	–	✓	IP20	FS2	✓
DC1-345D8NB-A66CE1	5.8 ³⁾	2.2	3	LED	–	–	IP66_x	FS2	✓
DC1-345D8FB-A66CE1	5.8 ³⁾	2.2	3	LED	–	✓	IP66_x	FS2	✓
DC1-345D8NB-A6SCE1	5.8 ³⁾	2.2	3	LED	✓	–	IP66_x	FS2	✓
DC1-345D8FB-A6SCE1	5.8 ³⁾	2.2	3	LED	✓	✓	IP66_x	FS2	✓
DC1-349D5NB-A20CE1	9.5	4	5	LED	–	–	IP20	FS2	✓
DC1-349D5FB-A20CE1	9.5	4	5	LED	–	✓	IP20	FS2	✓

1 DC1 device series
1.4 Rated operational data

Part no.	rated operational current I_e A	Assigned Instance Motor Power		Display (operating unit)	Local controls	Radio interference suppression filter	Degree of protection	Size	Brake chopper
		P1) (400 V, 50 Hz) kW	P2) (440-480 V, 60 Hz) HP						
		DC1-349D5NB-A66CE1	9.5 ³⁾						
DC1-349D5FB-A66CE1	9.5 ³⁾	4	5	LED	–	✓	IP66_x	FS2	✓
DC1-349D5NB-A6SCE1	9.5 ³⁾	4	5	LED	✓	–	IP66_x	FS2	✓
DC1-349D5FB-A6SCE1	9.5 ³⁾	4	5	LED	✓	✓	IP66_x	FS2	✓
DC1-34014NB-A20CE1	14 ⁴⁾	5.5	10	LED	–	–	IP20	FS3	✓
DC1-34014FB-A20CE1	14 ⁴⁾	5.5	10	LED	–	✓	IP20	FS3	✓
DC1-34014NB-A66CE1	14 ⁴⁾	5.5	10	LED	–	–	IP66_x	FS3	✓
DC1-34014FB-A66CE1	14 ⁴⁾	5.5	10	LED	–	✓	IP66_x	FS3	✓
DC1-34014NB-A6SCE1	14 ⁴⁾	5.5	10	LED	✓	–	IP66_x	FS3	✓
DC1-34014FB-A6SCE1	14 ⁴⁾	5.5	10	LED	✓	✓	IP66_x	FS3	✓
DC1-34018NB-A20CE1	18 ⁴⁾	7.5	10	LED	–	–	IP20	FS3	✓
DC1-34018FB-A20CE1	18 ⁴⁾	7.5	10	LED	–	✓	IP20	FS3	✓
DC1-34018NB-A66CE1	18 ⁵⁾	7.5	10	LED	–	–	IP66_x	FS3	✓
DC1-34018FB-A66CE1	18 ⁵⁾	7.5	10	LED	–	✓	IP66_x	FS3	✓
DC1-34018NB-A6SCE1	18 ⁵⁾	7.5	10	LED	✓	–	IP66_x	FS3	✓
DC1-34018FB-A6SCE1	18 ⁵⁾	7.5	10	LED	✓	✓	IP66_x	FS3	✓
DC1-34024NB-A20CE1	24 ⁴⁾	11	15	LED	–	–	IP20	FS3	✓
DC1-34024FB-A20CE1	24 ⁴⁾	11	15	LED	–	✓	IP20	FS3	✓
DC1-34030NB-A20CE1	30	15	20	LED	–	–	IP20	FS4	✓
DC1-34030FB-A20CE1	30	15	20	LED	–	✓	IP20	FS4	✓
DC1-34030NB-A20CE1	30	18.5	25	LED	–	–	IP20	FS4	✓
DC1-34030FB-A20CE1	30	18.5	25	LED	–	✓	IP20	FS4	✓
DC1-34046NB-A20CE1	46	22	30	LED	–	–	IP20	FS4	✓
DC1-34046FB-A20CE1	46	22	30	LED	–	✓	IP20	FS4	✓

1) As per IEC standards

2) As per UL 61800-5-1, Table DVE.1, March 6, 2015

3) Rated operational current at switching frequencies of up to 16 kHz and ambient temperatures of up to +40 °C

4) Rated operational current at switching frequencies of up to 8 kHz and ambient temperatures of up to +50 °C

5) Rated operational current at switching frequencies of up to 8 kHz and ambient temperatures of up to +40 °C

1 DC1 device series

1.5 Description

1.5 Description

1.5.1 IP20 degree of protection (FS1 to FS4)

The following drawing serves as an example showing the designations used for the elements in DC1 variable frequency drives with an IP20 degree of protection and a size of FS1.

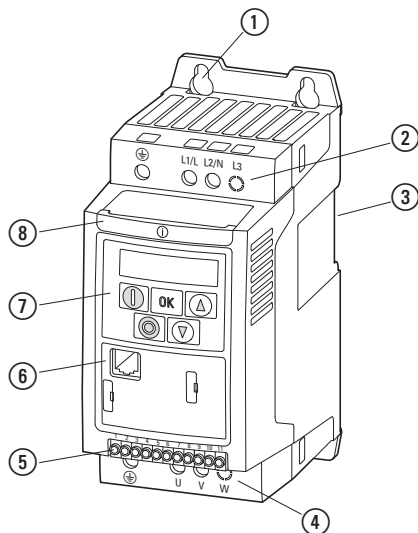


Figure 6: DC1 description (FS1, IP20)

- ① Fixing holes (screw fastening)
- ② Connection terminals in power section (mains side)
- ③ Cutout for mounting on mounting rail
- ④ Connection terminals in power section (motor feeder)
- ⑤ Control signal terminals (plug-in)
- ⑥ Communication interface (RJ45)
- ⑦ Keypad with 5 control buttons and LED display
- ⑧ Info card

1.5.2 IP66 degree of protection (FS1 to FS3)

The following drawing serves as an example showing the designations used for the elements in DC1 variable frequency drives with an IP66 degree of protection and a size of FS1.

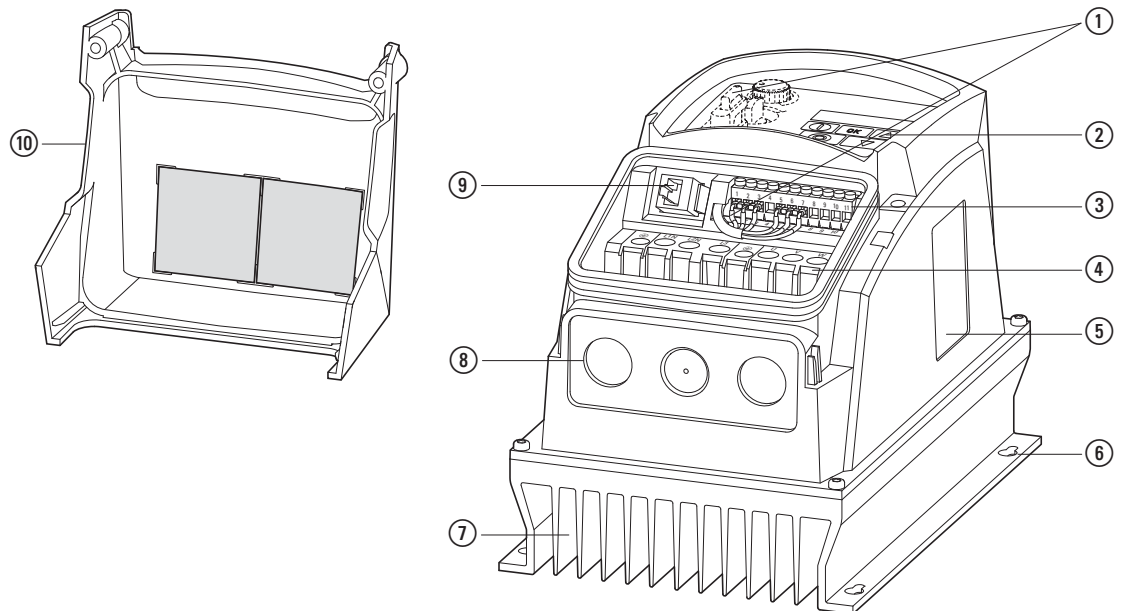


Figure 7: Description (IP66)

- ① Local controls with connection (DC1-...-A6SN only)
- ② Keypad with 5 control buttons and LED display
- ③ Control terminal (plug-in)
- ④ Connection terminals in power section
- ⑤ Nameplate
- ⑥ Fixing holes
- ⑦ Heat sink
- ⑧ Opening for cable gland
- ⑨ Communication interface (RJ45)
- ⑩ Cover for connection terminals, featuring info cards

The info cards are found on the inside of the lower cover ⑩, which features three additional knockouts for cable glands leading to the control section.

1.6 Voltage categories

DC1 variable frequency drives are divided into three voltage categories:

- 115 V: 110 - 115 V \pm 10 % → DC1-**1D**
- 200 V: 200 - 240 V \pm 10 % → DC1-**12**..., DC1-**32**...
- 400 V: 380 - 480 V \pm 10 % → DC1-**34**...



For more information on how to run single-phase AC motors using the DC1 variable frequency drive, please refer to Application Note AP040037EN, "DC1 Variable Frequency Drives – Operating Single-Phase Motors."

ftp://ftp.moeller.net/DRIVES/POWERXL/01_APPLICATION_NOTE/Deutsch/DC1/AP040037DE_DC1_Betrieb_von_Einphasenmotoren.pdf

- DC1-**1D**...
 - Single-phase mains connection, rated operating voltage of 115 V with internal voltage doubler
 - $U_{LN} = 1\sim$, 110 - 115 V \pm 10 %, 50/60 Hz
 - $I_e = 2.3 - 5.8$ A
 - Motor: 0.37 - 1.1 kW (230 V, 50 Hz), 1/2 - 1-1/2 HP (230 V, 60 Hz)

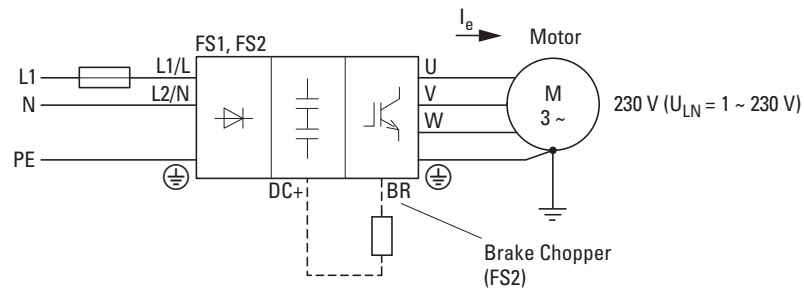


Figure 8: DC1-1D...

- DC1-**12**...
 - Single-phase mains connection, rated operating voltage 230 V
 - $U_{LN} = 1\sim$, 200 - 240 V \pm 10 %, 50/60 Hz
 - $I_e = 2.3 - 15.3$ A
- Motor: 0.37 - 4 kW (230 V, 50 Hz), 1/2 - 5 HP (230 V, 60 Hz)

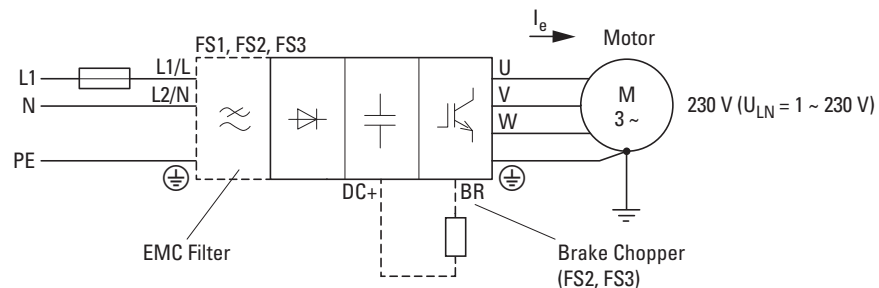


Figure 9: DC1-12...

- DC1-**32**...
 - Three-phase power supply, rated operating voltage 230 V
 - $U_{LN} = 3\sim, 200 - 240 \text{ V} \pm 10 \%$, 50/60 Hz
 - $I_e = 2.3 - 46 \text{ A}$
 - Motor: 0.37 - 11 kW (230 V, 50 Hz), 1/2 - 15 HP (230 V, 60 Hz)

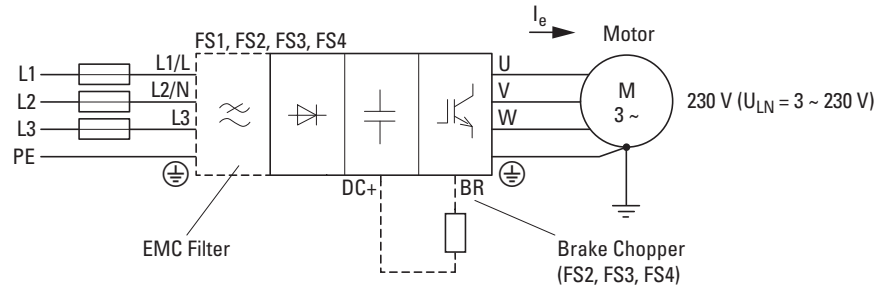


Figure 10:DC1-32...

- DC1-**34**...
 - Three-phase power supply, rated operating voltage 400/480 V
 - $U_{LN} = 3\sim, 380 - 480 \text{ V} \pm 10 \%$, 50/60 Hz
 - $I_e = 2.2 - 46 \text{ A}$
 - Motor: 0.75 - 22 kW (400 V, 50 Hz), 1 - 30 HP (460 V, 60 Hz)

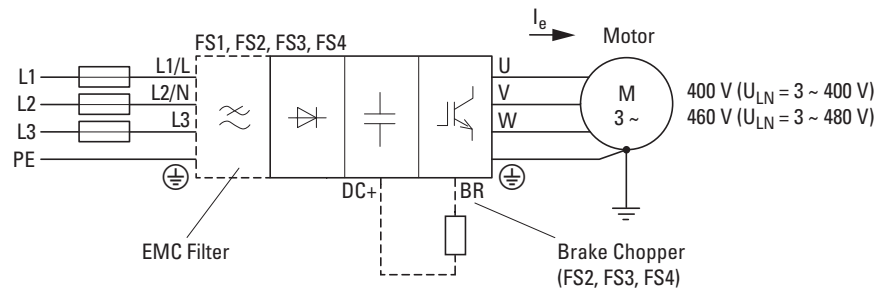


Figure 11:DC1-34...

1.7 Selection Criteria

Select the variable frequency drive according to the supply voltage U_{LN} of the supply system and the rated operational current of the assigned motor. The circuit type (Δ / Υ) of the motor must be selected according to the supply voltage.

The variable frequency drive's rated output current I_e must be greater than or equal to the rated motor current.

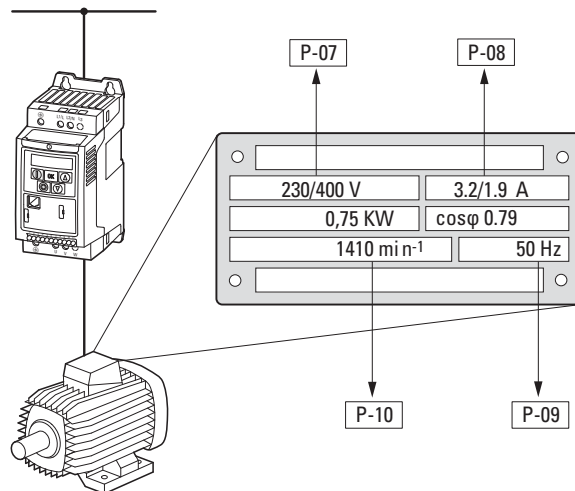


Figure 12: Selection criteria

When selecting the drive, the following criteria must be known:

- Mains voltage = rated operating voltage of the motor (e. g. 3~ 400 V),
- Type of motor (e.g., three-phase asynchronous motor)
- Rated motor current (recommended value, dependent on the circuit type and the power supply)
- Ambient conditions: ambient temperature, control cabinet installation with IP20 degree of protection or direct local installation with IP66 degree of protection.

Example based on figure 12

- Mains voltage: 3~ 400 V, 50 Hz
 - Star-connected circuit (400 V)
 - Rated operational current: 1.9 A (400 V)
 - Control panel installation → IP20 degree of protection
 - Ambient air temperature max. 50 °C without output reduction, IP20
- Variable frequency drive that should be selected: DC1-342D2FN-A20CE1
- DC1-**34**...: 3-phase main terminal, rated operating voltage: 400 V
 - DC1-...**2D2**...: 2.2 A – The variable frequency drive's rated operational current (output current) guarantees that the motor will be supplied with the required rated operational current (1.9 A).

1.8 Output reduction (derating)

Derating the DC1 variable frequency drive / limiting the maximum continuous output current (I_2) will generally be necessary if, during operation:

- The ambient air temperature is higher than 40 °C
- An installation altitude of 1,000 m is exceeded
- The effective switching frequency is higher than the minimum value

The following tables specify the factors that need to be applied when selecting a DC1 variable frequency drive if the drive will be run outside these conditions:

Derating for ambient temperature

Enclosure degree of protection	Maximum permissible ambient air temperature		Derate
	without derating	with derating	
IP20	50 °C	50 °C ¹⁾	none
IP66	40 °C	50 °C	2.5 % per K

1) 45 °C for continuous operation for 24 hours, as per UL, for DC1-12011...B-A20N and DC1-32011...B-A20N

Derating for installation altitude

Enclosure degree of protection	permissible altitude		Derate
	without derating	with derating	
IP20, IP66	1000 m	2000 m – with UL Certification 4000 m maximum – without UL Certification	1 % per 100 m

Derating for switching frequency

Enclosure degree of protection	Switching frequency (P-17), setting (audible) ¹⁾					
	4 kHz	8 kHz	12 kHz	16 kHz	24 kHz	32 kHz
IP20	none	none	20 %	30 %	40 %	50 %
IP66	none	10 %	25 %	35 %	50 %	50 %

1) The switching frequency's effective rms value will be approximately half the value set with parameter P-17 (double modulation).



For more information on the subject of derating, please refer to Application Note AP040038EN, "DC1 Variable Frequency Drives – Dependency of the output current on switching frequency and ambient air temperature".

ftp://ftp.moeller.net/DRIVES/POWERXL/01_APPLICATION_NOTE/Deutsch/DC1/AP040038DE_DC1_Derating.pdf

1 DC1 device series

1.8 Output reduction (derating)

Examples showing how to apply derating factors

2.2 kW motor (400 V, 5 A), installation altitude of 2,000 m above sea level, ambient temperature of 45 °C, wall-mounted in mechanical room, required switching frequency of 16 kHz.

a)

Selected variable frequency drive: DC1-349D5FB-A6SCE1, rated operational current of 9.5 A, switching frequency of 8 kHz (default setting).

Required derating factors:

- For the 16 kHz switching frequency: **35 %**
- For the 2,000 m installation altitude: **10 %** (1% per 100 m above 1,000 m, 2,000 m - 1,000 m = 1,000 m, 1,000 m/100 m = 10)
- For the 45 °C ambient temperature: **12.5 %** (2.5% per kelvin, 45 °C - 40 °C = 5 K, IP66 degree of protection)

$$9.5 \text{ A} - 35 \% - 10 \% - 12.5 \% = (9.5 \times 0.65 \times 0.9 \times 0.875) \text{ A} = \mathbf{4.86 \text{ A}}$$

The DC1's permissible continuous rated operational current of 4.86 A is lower than the motor's required rated operational current (5 A).

By using the default switching frequency instead (default setting: 8 kHz), the motor can be operated continuously at an altitude of 2,000 m (9.5 A - 10% - 12.5% = 6.73 A).



Use a variable frequency drive belonging to a higher output class and repeat the calculations in order to ensure that a sufficiently high output current will be available continuously.

b)

In order to be able to work with the required switching frequency of 16 kHz, a larger variable frequency drive would be needed. Selected variable frequency drive: DC1-34014FB-A6SCE1, rated operational current of 14 A.

Required derating factors:

- For the 16 kHz switching frequency: **35 %**
- For the 2,000 m installation altitude: **10 %** (1% per 100 m above 1,000 m, 2,000 m - 1,000 m = 1,000 m, 1,000 m/100 m = 10)
- For the 45 °C ambient temperature: **12.5 %** (2.5% per kelvin, 45 °C - 40 °C = 5 K, IP66 degree of protection).

$$14 \text{ A} - 35 \% - 10 \% - 12.5 \% = (14 \times 0.65 \times 0.9 \times 0.875) \text{ A} = \text{approx. } \mathbf{7.2 \text{ A}}$$

The DC1-34014FB-A6SCE1 variable frequency drive meets the necessary operating conditions.

1.9 Proper use

The DC1 variable frequency drives are electrical devices for controlling variable speed drives with three-phase motors. They are designed for installation in machines or for use in combination with other components within a machine or system.

The DC1 variable frequency drives are not domestic appliances. They are designed only for industrial use as system components.

If the variable frequency drive is installed in a machine, it is prohibited to place it into operation until it has been determined that the corresponding machine meets the safety and protection requirements set forth in Machinery Safety Directive 2006/42/EC (e.g., by complying with EN 60204). The user of the equipment is responsible for ensuring that the machine use complies with the relevant EU Directives.

The CE markings on DC1 variable frequency drives confirm that the devices meet the requirements set forth in the European Union's Low Voltage and EMC Directives (Directives 2014/35/EU, 2014/30/EU and ROHS 2011/65/EU) when used in their typical drive configuration.

In the described system configurations, DC1 variable frequency drives are suitable for use in public and non-public networks.

A connection of a DC1 variable frequency drive to IT networks (networks without reference to earth potential) is permissible only to a limited extent, since the device's built-in filter capacitors connect the network with the earth potential (enclosure).

In unearthed networks, this can result in hazardous situations or damage to the device (insulation monitoring is required!).



To the output (terminals U, V, W) of the DC1 variable frequency drive you must not:

- connect a voltage or capacitive loads (e.g. phase compensation capacitors),
- Connect multiple variable frequency drives in parallel
- make a direct connection to the input (bypass).



Always observe the technical data and connection conditions! For additional information, refer to the equipment nameplate or label at the variable frequency drive and the documentation. Any other use will be considered to be an improper use of the device.

1 DC1 device series

1.10 Maintenance and inspection

1.10 Maintenance and inspection

DC1 series variable frequency drives will be maintenance-free as long as the general rated operational data (see annex) is adhered to and the specific technical data (see annex) for the corresponding ratings is taken into account. Please note, however, that external influences may affect the operation and lifespan of a DC1 variable frequency drive.

We therefore recommend that the devices are checked regularly and the following maintenance measures are carried out at the specified intervals.

Table 2: Recommended maintenance for DC1 variable frequency drives

Maintenance Measure	Maintenance interval
Clean cooling vents (cooling slits)	please enquire
Check to make sure that the fan and the 7-segment display are working properly (press all five buttons simultaneously, starting with the Stop button)	6 - 24 months (depending on the environment)
Check the filter in the control panel doors (see the manufacturer's specifications)	6 - 24 months (depending on the environment)
Check all earth connections to make sure they are intact	On a regular basis, at periodic intervals
Check the tightening torques of the terminals (control terminals, power terminals)	On a regular basis, at periodic intervals
Check connection terminals and all metallic surfaces for corrosion	6 - 24 months; when stored, no more than 12 months later (depending on the environment)
Motor cables and shield connection (EMC)	According to manufacturer specifications, no later than 5 years
Charge capacitors	12 months (→ Section 1.12, "Charging the internal DC link capacitors")

There are no plans for replacing or repairing individual components of DC1 variable frequency drives!

If the DC1 variable frequency drive is damaged by external influences, repair is not possible.

Dispose of the device according to the applicable environmental laws and provisions for the disposal of electrical or electronic devices.

1.11 Storage

If the DC1 variable frequency drive is stored before use, suitable ambient conditions must be ensured at the site of storage:

- Storage temperature: -40 - +60 °C,
- Relative average air humidity: < 95 %, non condensing (EN 50178),
- To prevent damage to the variable frequency drive's internal DC link capacitors, it is not recommended to store the variable frequency drive for more than 12 months (→ Section 1.12, "Charging the internal DC link capacitors").

1.12 Charging the internal DC link capacitors

After extended storage times or extended downtimes during which no power is supplied (> 12 months), the capacitors in the internal DC link must be recharged in a controlled manner in order to prevent damage. To do this, the DC1 variable frequency drive must be supplied with power, with a controlled DC power supply unit, via two mains connection terminals (e.g. L1 and L2).

In order to prevent the capacitors from having excessively high leakage currents, the inrush current should be limited to approximately 300 to 800 mA (depending on the relevant rating). The variable frequency drive must not be enabled during this time (i.e. no start signal). After this, the DC voltage must be set to the magnitudes for the corresponding DC link voltage ($U_{DC} \sim 1.41 \times U_e$) and applied for one hour at least (regeneration time).

- DC1-12..., DC1-32...: about 324 V DC at $U_e = 230$ V AC
- DC1-34...: about 560 V DC at $U_e = 400$ V AC



Due to the internal voltage doubler circuit, the capacitors in DC1-1D... variable frequency drives cannot be reformed using the connection terminals!

Please contact your local sales office.

1.13 Service and warranty

In the unlikely event that you have a problem with your DC1 variable frequency drive, please contact your local sales office.

When you call, have the following data ready:

- The exact variable frequency drive part number (see nameplate),
- the date of purchase
- a detailed description of the problem which has occurred with the variable frequency drive.

If some of the information printed on the rating plate is not legible, please state only the data which are clearly legible.

Information concerning the guarantee can be found in the Terms and Conditions Eaton Industries GmbH.

Break-Down Service

Please contact your local office:

<http://www.eaton.eu/aftersales>

Or

Hotline After Sales Service

+49 (0) 180 5 223822 (de, en)

AfterSalesEGBonn@eaton.com

1 DC1 device series
1.13 Service and warranty

2 Engineering

2.1 Introduction

This chapter describes the most important features in the energy circuit of a magnet system (PDS = Power Drive System), which you should take into consideration in your project planning.

It contains instructions that must be followed when determining which device to use with which rated motor output, as well as when selecting protection devices and switchgear, selecting cables, cable entries, and operating the DC1 variable frequency drive.

All applicable laws and local standards must be complied with when planning and carrying out the installation. Not following the recommendations provided may result in problems what will not be covered by the warranty.

An example for a magnet system

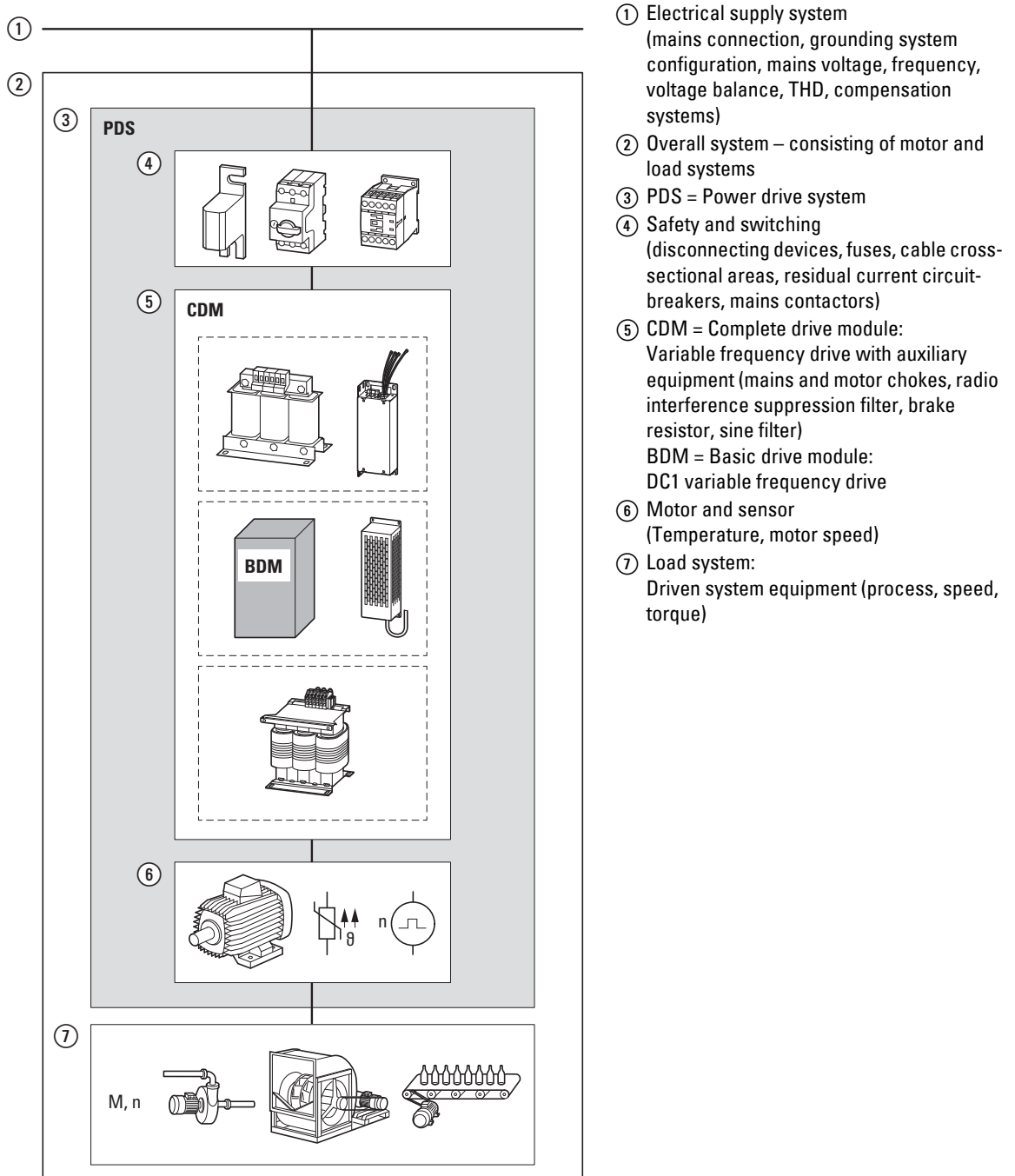


Figure 13: Magnet system example (overall system as its own system or as part of a larger system)

2.2 Electrical power network

2.2.1 Mains terminal and configuration

DC1 variable frequency drives can be connected to and run on all neutral point-grounded AC supply systems (TN-S, TN-C, TT grounding systems; please refer to IEC 60364) without any limitations.

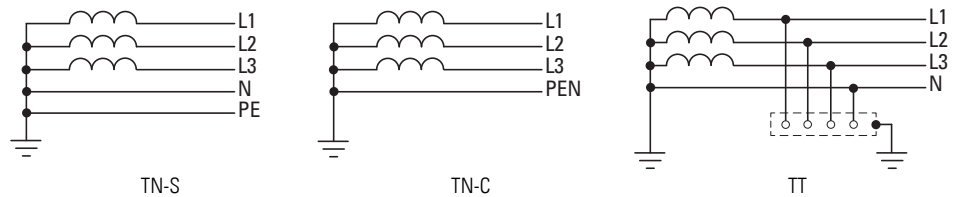


Figure 14: AC supply systems with earthed center point

➔ While planning the project, consider a symmetrical distribution to the three main phase conductors, if multiple variable frequency drives with single-phase supplies are to be connected. The total current of all single phase consumers is not to cause an overload of the neutral conductor (N-conductor).

The connection and operation of variable frequency drives to asymmetrically grounded TN networks (phase-grounded delta network "Grounded Delta", USA) or non-grounded or high-resistance grounded (over 30 Ω) IT networks is only conditionally permissible (internal radio interference suppression filters).

➔ Operation on non-earthed networks (IT) requires the use of suitable insulation monitoring relays (e.g. pulse-code measurement method)

➔ In networks with an earthed phase conductor, the maximum phase-earth voltage must not exceed 300 V AC.

DC1-...-A20CE1 variable frequency drives can be connected to corner-grounded systems or IT grounding systems (not grounded, insulated). When versions featuring an internal radio interference suppression filter (DC1-...FN-A20CE1, DC1-...FB-A20CE1) are connected to one of these systems, the **EMC** screw(s) needs to be removed and the internal radio interference suppression filter needs to be disconnected

➔ Measures for electromagnetic compatibility are mandatory in a power drive system, to meet the legal standards for EMC- and Low Voltage Directive. Good earthing measures are a prerequisite for the effective Use of further measures such as screen earth kit or filters here. Without respective grounding measures, further steps are superfluous.

2.2.2 Mains voltage and frequency

The standardized rated operating voltages (IEC 60038, VDE 017-1) of power utilities guarantee the following conditions at the connection point:

- Deviation from the rated value of voltage: maximum $\pm 10\%$
- Deviation in voltage phase balance: maximum $\pm 3\%$
- Deviation from rated value of the frequency: maximum $\pm 4\%$

The broad tolerance band of the DC1 variable frequency drive considers the rated value for

European as (EU: $U_{LN} = 230\text{ V}/400\text{ V}$, 50 Hz) and

American as (USA: $U_{LN} = 240\text{ V}/480\text{ V}$, 60 Hz) standard voltages:

- 115 V, 50 Hz (EU) and 115 V, 60 Hz (USA) for DC1-1D...,
110 V -10% - 115 V +10% (99 V -0% - 126 V +0%)

The internal voltage doubler will increase the mains voltage of 115 V to produce an output voltage of 230 V (motor voltage).

- 230 V, 50 Hz (EU) and 240 V, 60 Hz (USA) at DC1-12..., DC1-32...
200 V -10% - 240 V +10% (180 V -0% - 264 V +0%)
- 400 V, 50 Hz (EU) and 480 V, 60 Hz (USA) at DC1-34...
380 V -10% - 480 V +10% (342 V -0% - 528 V +0%)

The permissible frequency range for all voltage categories is 50/60 Hz (48 Hz - 0% - 62 Hz + 0%).

2.2.3 Voltage balance

Unbalanced voltages and deviations from the ideal voltage shape may occur in three-phase AC supply systems if the conductors are loaded unevenly and if large output loads are connected directly. These supply voltage unbalances may cause the diodes in the variable frequency drive's rectifier bridge converter to be loaded unevenly, resulting in premature diode failure.



In the project planning for the connection of three-phase supplied variable frequency drives (DC1-**3**...), consider only AC supply systems that handle permitted asymmetric divergences in the mains voltage $\leq +3\%$.

If this condition is not fulfilled, or symmetry at the connection location is not known, the use of an assigned main choke is recommended.



For the rated mains contactors for DC1 variable frequency drives, please refer to \rightarrow Section 2.5, "Mains chokes", page 42.

2.2.4 Total Harmonic Distortion (THD)

The THD value (THD = Total Harmonic Distortion) is defined in standard IEC/EN 61800-3 as the ratio of the rms value of all harmonic components to the rms value of the fundamental frequency.

→ In order to reduce the THD value (up to 30%), it is recommended to use a DX-LN... mains choke (→ Section 2.5, "Mains chokes", page 42).

2.2.5 Reactive power compensation devices

Compensation on the power supply side is not required for the variable frequency drives of the DC1 series. From the AC power supply network they only take on very little reactive power of the fundamental harmonics ($\cos \varphi \sim 0.98$).

→ In the AC supply systems with non-choked reactive current compensation devices, current deviations can enable parallel resonance and undefinable circumstances.

In the project planning for the connection of variable frequency drives to AC supply systems with undefined circumstances, consider using mains chokes.

2.3 Cable cross-sections

The mains cables and motor cables must be sized as required by local standards and by the load currents that will be involved.

The PE conductor's cross-sectional area must be the same as the phase conductors' cross-sectional area. The connection terminals marked with ⊕ must be connected to the earth-current circuit.

NOTICE

The specified minimum PE conductor cross-sections (EN 61800-5-1) must be maintained.

If there are leakage currents greater than 3.5 mA, a reinforced earthing (PE) must be connected, as required by standard EN 61800-5-1. The cable cross-section must be at least 10 mm², or the earthing system must consist of two separately connected earthing cables.

→ → Section 6.2, "Specific rated operational data", page 141 provides the leakage currents for the individual models.

→ → Section 3.5, "EMC installation", page 68 goes over the EMC requirements for the motor cables.

2 Engineering

2.4 Safety and switching

A symmetrical, fully screened (360°), low-impedance motor cable must be used. The length of the motor cable depends on the RFI class and the environment.

For US installations, UL-listed cables (AWG) should be used exclusively. These cables must have a temperature rating of 70 °C (158 °F), and will often require installation inside a metal conduit (please consult the applicable local standards).



For the rated cable cross-sectional areas for DC1 variable frequency drives, please refer to → Section 6.4, “Cable cross-sections”, page 151.

2.4 Safety and switching

2.4.1 Disconnecting device



Install a manual disconnecting device between the mains connection and the DC1 variable frequency drive. This disconnecting device must be designed in such a way that it can be interlocked in its open position for installation and maintenance work.

In the European Union, this disconnecting device must be one of the following devices in order to comply with European Directives as per standard EN 60204-1, “Safety of machinery”:

- An AC-23B utilization category disconnecter (EN 60947-3)
- A disconnecter with an auxiliary contact that in all cases will disconnect the load circuit before the disconnecter’s main contacts open (EN 60947-3)
- A circuit-breaker designed to disconnect the circuit as per EN 60947-2

In all other regions, the applicable national and local safety regulations must be complied with.

2.4.2 Fuses

The DC1 variable frequency drive and the corresponding supply cables must be protected from thermal overload and short-circuits.



The fuse ratings and cable cross-sectional areas (wire gauges) for the connection on the mains side will depend on the DC1 variable frequency drive’s input current I_{LN} .



For the recommended fuse sizing and assignments, please refer to → Section 6.5, “Fuses”, page 153.

The fuses will protect the supply cable in the event of a short-circuit, limit any damage to the variable frequency drive, and prevent damage to upstream devices in the event of a short-circuit in the variable frequency drive.

2.4.3 Residual current circuit-breaker (RCD)

When using variable frequency drives (DC1-**3**...) that work with a three-phase power supply (L1, L2, L3), make sure to use type B AC/DC sensitive residual current devices exclusively.

When using variable frequency drives that work with a single-phase power supply (L, N) (DC1-**12**... and DC1-1D...), you may use type A and type B residual current protective devices (RCD).

NOTICE

Residual current circuit-breakers (RCD = residual current device) should only be installed between the power feed system (the AC supply system supplying power) and the DC1 variable frequency drive – but not at the output to the motor!

The leakage currents' magnitude will generally depend on:

- length of the motor cable
- shielding of the motor cable
- height of the switching frequency (switching frequency of the inverter),
- design of the radio interference suppression filter
- grounding measures at the site of the motor.

Other protective measures against direct and indirect contact can be used for DC1 variable frequency drives, including isolating them from the supply system with the use of a transformer.

2.4.4 Mains contactors

The mains contactor enables an operational switching on and off of the supply voltage for the variable frequency drive and switching off in case of a fault. The mains contactor is designed based on the mains-side input current I_{LN} of the DC1 variable frequency drive for utilization category AC-1 (IEC 60947) and the ambient air temperature at the location of use.



While planning the project, please make sure that inching operation is not done via the mains contactor of the variable frequency drive on frequency-controlled drives, but through a controller input of the variable frequency drive.

The maximum permissible mains voltage switch-on frequency for the DC1 variable frequency drive is once every 30 seconds (normal operation).



For UL-compliant installation and during operation, the mains side switching devices must allow for a 1.25 times higher input current.



For the rated mains contactors for DC1 variable frequency drives, please refer to → Section 6.6, "Mains contactors", page 156.

2.5 Mains chokes

Mains chokes reduce the total harmonic distortion, the mains feedback and improve the power factor. The apparent current on the mains side is then reduced by around 30 %.

Towards the variable frequency drive, the main chokes dampen the interference from the supply network. This increases the electric strength of the variable frequency drive and lengthens the lifespan (diodes of the mains power rectifier, internal DC link capacitors).



For the operation of the DC1 variable frequency drive, the application of main chokes is not necessary.

However, we recommend using a mains choke if the electrical supply system's quality is not known:

- Large voltage peaks (e.g., when switching large loads directly)
- Correction systems (without series inductors)
- Power supplied via conductor bar or slip ring systems (e.g., overhead cranes)

While planning the project, consider that a mains choke is only assigned to a single variable frequency drive for decoupling.

When using an adapting transformer (assigned to a single variable frequency drive), a main choke is not necessary.

Mains chokes are designed based on the mains-side input current (I_{LN}) of the variable frequency drive.



When the variable frequency drive is running at its rated current limit, the mains choke with a u_K value of around 4 % will cause the variable frequency drive's maximum possible output voltage U_2 to be reduced to about 96 % of the mains voltage U_{LN} .



For the rated mains contactors for DC1 variable frequency drives, please refer to → Section 2.5, "Mains chokes", page 42.

2.6 Radio interference suppression filter

DC1-12xxxF..., DC1-32xxxF..., and DC1-34xxxF... variable frequency drives feature an internal radio interference suppression filter. When combined with a motor cable that is screened and earthed 360° on both ends, they make it possible to comply with the stringent EMC limits for conducted interference corresponding to category C in the 1st environment (IEC/EN 61800-3).

This requires installation in accordance with EMC requirements, as well as not exceeding permissible motor cable lengths.

- 1 m for category C1 in the 1st environment (only DC1-12...),
- 5 m for category C2 in the 1st and 2nd environment,
- 25 m for category C3 in the 2nd environment.

→ DC1-32... and DC1-34... three-phase variable frequency drives can be operated within category C1 in the 1st environment only if an external radio interference suppression filter is used.

Longer motor cable lengths can be used if additional external radio interference suppression filters (DX-EMC...) are used.

→ For the rated radio interference suppression filters for DC1 variable frequency drives, please refer to → Section 2.6, "Radio interference suppression filter", page 43.

→ The unscreened cable length between the radio interference suppression filter and the variable frequency drive should not exceed 300 mm (maximum of 500 mm depending on the setup inside the metal-enclosed control panel).

Additional measures used to reduce EMC limits and use longer motor cable lengths are possible in combination with motor chokes and sine filters.

→ In the case of power drive systems (PDS) with variable frequency drives, electromagnetic compatibility (EMC) measures must already be taken into account during the engineering stage, as making changes during assembly and installation and retroactively fixing things will be more expensive.

2.7 Braking resistances

In certain operating states, the motor may run as a generator in certain applications (regenerative braking operation).

Examples include:

- Lowering in hoisting gear and conveyor applications
- Controlled speed reduction in the case of large load inertias (flywheels)
- A fast speed reduction in dynamic travel drives

When the motor operates as a generator, its braking energy will be fed into the variable frequency drive's DC link via the inverter. DC link voltage U_{DC} will be increased as a result. If the voltage value is too high, the DA1 variable frequency drive will disable its inverter, after which the motor will coast uncontrolled.

If there is a braking chopper and a connected braking resistance R_B , the braking energy fed back into the variable frequency drive can be dissipated in order to limit the DC link voltage.

DC1-...B-A... variable frequency drives (frame sizes FS2, FS3, and FS4) feature an integrated braking chopper. The brake resistors are connected to the internal braking transistor with terminals DC+ and BR so that they will be connected in parallel to the DC link. In addition to this, the braking chopper must be enabled using parameter P-34 (= 1 or = 2).

The braking chopper will be switched on automatically if the braking energy being fed back causes the DC link voltage to increase to the switch-on voltage's magnitude.

Device series	Mains connection	Voltage class	Braking chopper on	Braking chopper off
DC1-12...	Single-phase	230V	390V	378V
DC1-32...	Three-phase	230V	390V	378V
DC1-34...	Three-phase	400V	780V	756V

For example, in the case of DC1-34... variable frequency drives, the braking chopper will be switched on at a DC link voltage of approximately 780 V DC and then back off at 756 V DC. During this stage, the braking transistor and the brake resistor will be active continuously.

In the case of units with a frame size of FS2 or FS3, brake resistor DX-BR3-100 ($P_D = 200 \text{ W}$) can be inserted underneath the heat sink. In addition, parameter P-34 must be set to a value of 1 in order to protect against thermal overloads (braking chopper activated with electronic overload protection).

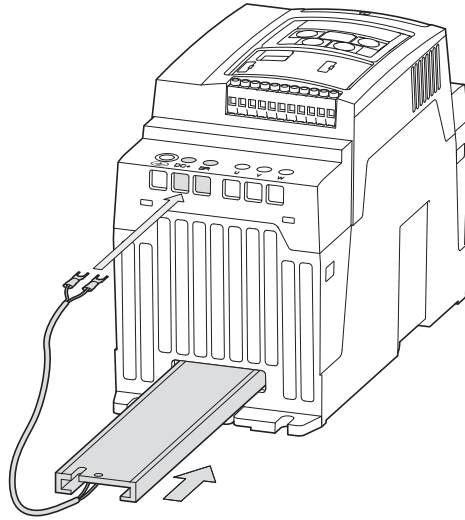


Figure 15: DC1 variable frequency drive with a frame size of FS2 and a DX-BR3-100 brake resistor

It is often difficult to specify a suitable brake resistor for specific applications. This is due to the fact that not all of the application conditions required for sizing will be available when the engineering stage starts. Because of this, and as a simplification, brake resistors are instead usually classified for two load groups:

- **Low duty:** Low load with short braking duration and low duty factor (up to about 25 %), e.g., for horizontal conveyors and handling equipment for bulk cargo and general cargo, end carriages, sliding doors, and turbomachinery (centrifugal pumps, fans).
- **High duty:** High load with long braking duration and high duty factor (at least 30 %), e.g., for elevators, downhill conveyors, winders, centrifuges, flywheel motors, and large fans.

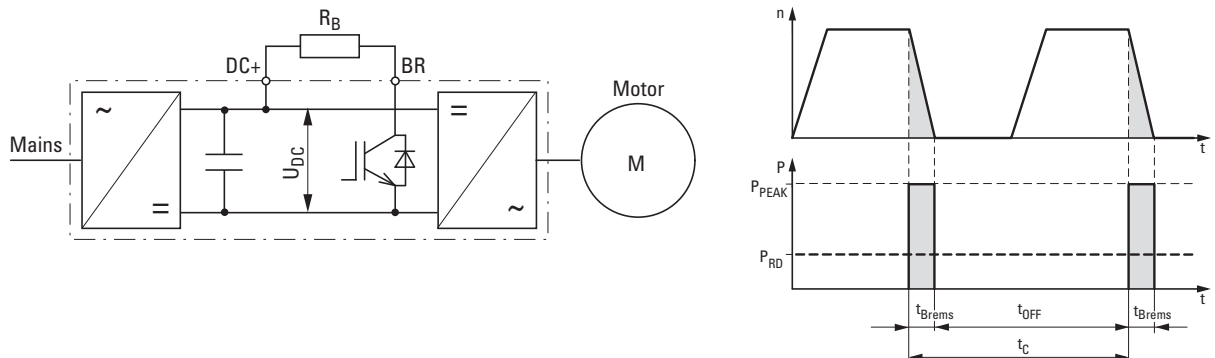


Figure 16: Braking cycle, fast motor stop with external brake resistor

Selecting brake resistors

Brake resistors are selected based on continuous power dissipation P_{DB} and maximum peak pulse power P_{Peak} .

The brake resistor must be adequate for both powers.

The maximum pulse power is defined by the braking torque – kinetic energy W_{kin} during braking – that is fed back by the motor during braking. A simplified method that can be used is to take the variable frequency drive's braking power P_{max} or the rated motor output and use it as peak pulse power P_{Peak} for sizing purposes, since the mechanical braking power will be reduced by the motor's and inverter's efficiency.

$$P_{Peak} \sim P_{max} = \frac{1}{2} \times \frac{W_{kin}}{t_{Braking}}$$

The required rated power / continuous rating for braking resistance P_{DB} is calculated using braking energy W_{kin} and cycle time t_C :

$$P_{DB} = \frac{W_{kin}}{t_C}$$

If the kinetic energy is not known, you will need the ratio of braking time $t_{Braking}$ to cycle time t_C :

$$DF[\%] = \frac{t_{Braking}}{t_C} \times 100 \%$$

The required continuous rating for a duty factor of 10% (= DF[%]), for example, can be calculated as follows:

$$P_{DB} = P_{Peak} \times 10 \%$$

This means that the brake resistor's continuous rating P_{DB} will always be lower than maximum pulse power P_{Peak} by the DF[%] factor.

Resistance R_B must be at least as high as the braking transistor's minimum permissible resistance R_{min} .

- ➔ Use brake resistors with the recommended R_{Brec} resistance values for the DC1 variable frequency drives' ratings.
- ➔ For the rated braking resistances for DC1 variable frequency drives, please refer to ➔ Section 2.7, "Braking resistances", page 44.

2.8 Motor chokes

It is recommended to use a motor choke if using long cable lengths and/or connecting several motors in parallel. The motor reactor is in the output of the variable frequency drive. Its rated operational current must always be greater than/equal to the rated operational current of variable frequency drive.

For DC1 variable frequency drives, it is recommended to use a motor choke for motor cable lengths of 100 meters or more. Doing so may result in the following improvements:

- Longer maximum permissible screened motor cable length, up to 200 m,
- Current smoothing and du/dt value ($kV/\mu s$) attenuation, providing additional protection for the winding insulation inside the motor,
- Motor noise and heat build-up will be reduced.

➔ Take into account the maximum permissible motor cable lengths for the relevant EMC interference category.

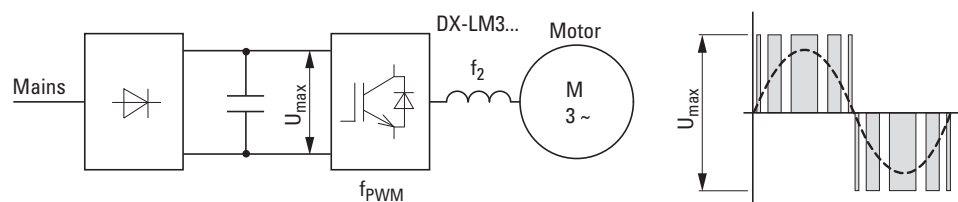


Figure 17: DX-LM3... rated operational data:
 $U_{max} = 750 \text{ V}$, $f_2 = 0 - 400 \text{ Hz}$, $f_{PWM} = 8 - 32 \text{ kHz}$ (P-17 setting on DC1)

It is also recommended to use a motor choke at the variable frequency drive's output if several motors with identical or different rated operational data are being run in parallel (V/Hz control only). In this case, the motor choke will compensate for the total resistance and total inductance decreases caused by the parallel circuit and will attenuate the cables' higher stray capacitance.

➔ For the rated motor chokes for DC1 variable frequency drives, please refer to ➔ Section 2.8, "Motor chokes", page 47.



For more information and technical data on DX-LM3... motor chokes, please refer to instruction leaflet IL00906003Z.

2.9 Sine filter

Sine filters are connected between a variable frequency drive's output and the motor. The voltage output by a sine filter will be virtually sinusoidal, ensuring that:

- Conducted and radiated emissions will be reduced (EMC)
- Irritating noise levels and motor losses will be reduced
- Potential insulation damage will be minimized, extending the motor's life as a result



Sine filters require for the variable frequency drive to modulate the output voltage with V/Hz control.

In order to meet this requirement, parameter P-60 on DC1-...E1 variable frequency drives needs to be set to a value of 1 (this is the default setting).



When there is a load-dependent or thermal overload, DC1 variable frequency drives will automatically reduce the carrier frequency (f_{PWM}) to a minimum value of 8 kHz (double modulation, effective rms value of 4 kHz)



When used with a DX-SIN3... sine filter, the minimum permissible carrier frequency (f_{PWM}) on the DC1 variable frequency drive must be set to 8 kHz using parameter P-17.



For the rated sine filters DX-SIN3... for DC1 variable frequency drives, please refer to the technical data chapter in

→ Section 6.11, "Sine filter", page 171.

2.10 Switching to the output side

Typical applications for switching at the DC1 variable frequency drive's output include:

- Cases in which a bypass circuit is implemented.
- Cases in which it must be possible to switch on various motors as necessary.
- Cases in which several motors are connected in parallel and need to be switched individually.
- Cases in which the motor must be de-energized quickly in the event of an emergency switching off (safety shutdown).

When an individual motor is switched off, the inverter needs to be disabled first (the FWD/REV enable signal must be switched off) before the contacts (contactor, switch-disconnector) on the variable frequency drive's output side are opened.

NOTICE

Switching off during operation in vector mode (P-60 = 0 / 2 / 3 / 4) is not permissible and may result in damage to the switching device and the variable frequency drive.

In cases in which the output is switched to a running motor, parameter P-33 must have a value of 1 (flying restart circuit enabled). When this condition is met, the DC1 variable frequency drive will be automatically synchronized with the running motor with the enable signal (FWD/REV).

2.10.1 Contactors

The contactors on the output side of DC1 variable frequency drives need to be sized based on utilization category AC-3 (IEC/EN 60947-4-1) for the assigned rated motor current and the corresponding rated operating voltage.

When a motor is being switched off, the DC1 variable frequency drive's output (inverter) must be disabled (the FWD/REV enable signal must be switched off) before the contacts are opened.

NOTICE

Switching off during operation in vector mode (P-60 = 0 / 2 / 3 / 4) is not permissible and may result in damage to the contactor and the variable frequency drive.



Vacuum contactors should not be used at a variable frequency drive's output, as they are not suitable for switching at low frequencies.

2 Engineering

2.10 Switching to the output side

2.10.2 switch-disconnectors

Switch-disconnectors are used as repair and maintenance switches in industrial, trade, and building service management applications. At the output of variable frequency drives, they are primarily used to locally switch off motors (pumps, fans) that pose a risk of unintended starting during maintenance or repairs. In order to provide greater safety, these switch-disconnectors can be locked out with the use of padlocks, meaning they have characteristics comparable to those of main switches as defined in EN 60204.

Eaton T0.../MSB/..., P1.../MSB/..., and P3.../MSB/... enclosed switch-disconnectors are designed for local installation with an IP65 degree of protection. The internal screening plate ensures that screened motor cables can be easily connected in a way that meets EMC requirements.



For more information and technical data on T0.../MSB/..., P1.../MSB/..., and P3.../MSB/... switch-disconnectors, please refer to instruction leaflets IL008020ZU and IL008037ZU.

The switch-disconnectors on the output side of DC1 variable frequency drives need to be sized based on utilization category AC-23A (IEC/EN 60947-3) for the assigned rated motor current and the corresponding rated operating voltage.

When a motor is being switched off, the DC1 variable frequency drive's output (inverter) must be disabled (the FWD/REV enable signal must be switched off) before the contacts are opened.

NOTICE

Switching off during operation in vector mode (P-60 = 0 / 2 / 3 / 4) is not permissible and may result in damage to the switch-disconnector and the variable frequency drive.

2.10.3 Bypass circuit



WARNING

Never connect the DC1 variable frequency drive's output terminals U, V, and W to the power feed system (L1, L2, L3). Connecting the mains voltage to the output terminals can result in the variable frequency drive being irreparably damaged.

If a bypass is required, use mechanically linked switches or contactors or electrically interlocked contactors in order to ensure that the motor terminals will not be simultaneously connected to the mains connection and to the variable frequency drive's output terminals.

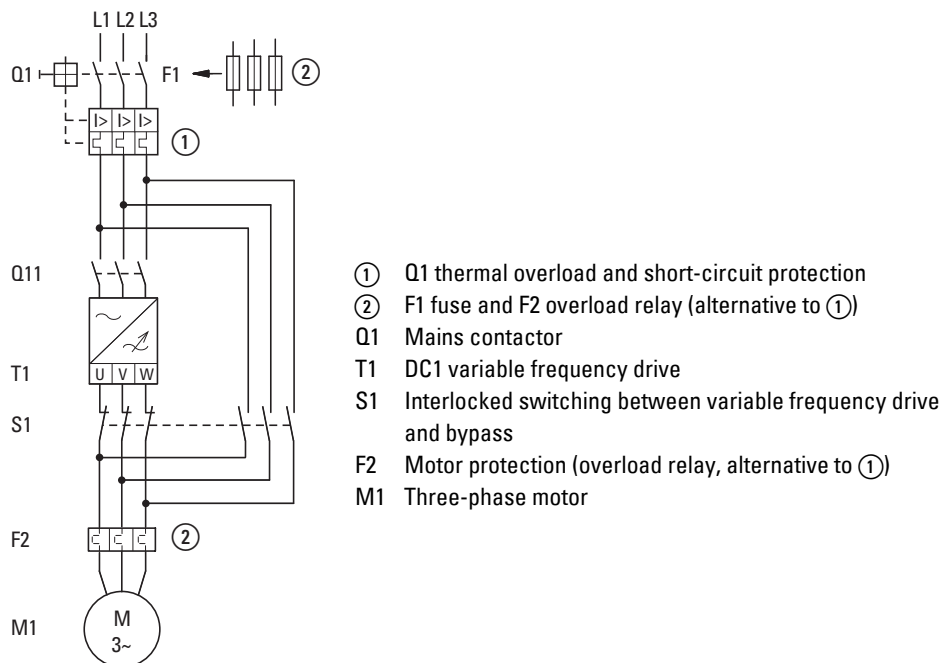


Figure 18: Bypass motor control (example)

When the motor is being switched off, the output (U, V, W) of variable frequency drive T1 must be disabled (the FWD/REV enable signal must be switched off) before the contacts at S1 are opened.

NOTICE

Switching off during operation in vector mode (P-60 = 0 / 2 / 3 / 4) is not permissible and may result in damage to the switching device and the variable frequency drive.

2.10.4 Connecting Motors in Parallel



If multiple motors are connected in parallel, the total of their motor currents must be lower than the DC1 variable frequency drive's rated operational current.

Connecting motors in parallel will reduce the load resistance at the variable frequency drive's output. This will cause the total stator inductance to decrease and the cables' stray capacitance to increase, resulting in greater harmonic distortion when compared to a single-motor circuit.

In order to reduce the amount of current distortion, it is recommended to use a motor choke or a sine filter at the variable frequency drive's output when there are three motors or more.



When running multiple motors in parallel with a single variable frequency drive, the individual motors' outputs should not be more than three output classes apart.



If several motors are being run in parallel, you will not be able to use the variable frequency drive's electronic motor protection. As a result, each individual motor must be protected with thermistors and/or an overload relay. Within a frequency range of 20 to 120 Hz, the PKE electronic motor-protective circuit-breaker can be used for motor protection at a DC1 variable frequency drive's output as well.

NOTICE

If multiple motors are being run simultaneously using a single variable frequency drive, make sure to size the individual motors' contactors as required for utilization category AC-3. The motor contactors must be selected according to the rated operational currents of the motors that will be connected.



The total of the motor currents in operation, plus, for example, the inrush current of a motor being added, must be less than the rated operational current of the variable frequency drive.

In applications with motors that will be connected and disconnected, we recommend using a motor choke or a sine filter.



Connecting multiple motors in parallel requires for the variable frequency drive to modulate the output voltage with V/Hz control. In order to meet this requirement, parameter P-60 on DC1-...E1 variable frequency drives needs to be set to a value of 1 (= default setting).

- ➔ When using vector mode ($P-60 = 0$), two motors with identical output classes can be connected (e.g., calendar drive).
- ➔ When using vector mode with $P-60 = 2, 3$ or 4 , it is not permissible to run multiple motors connected in parallel!

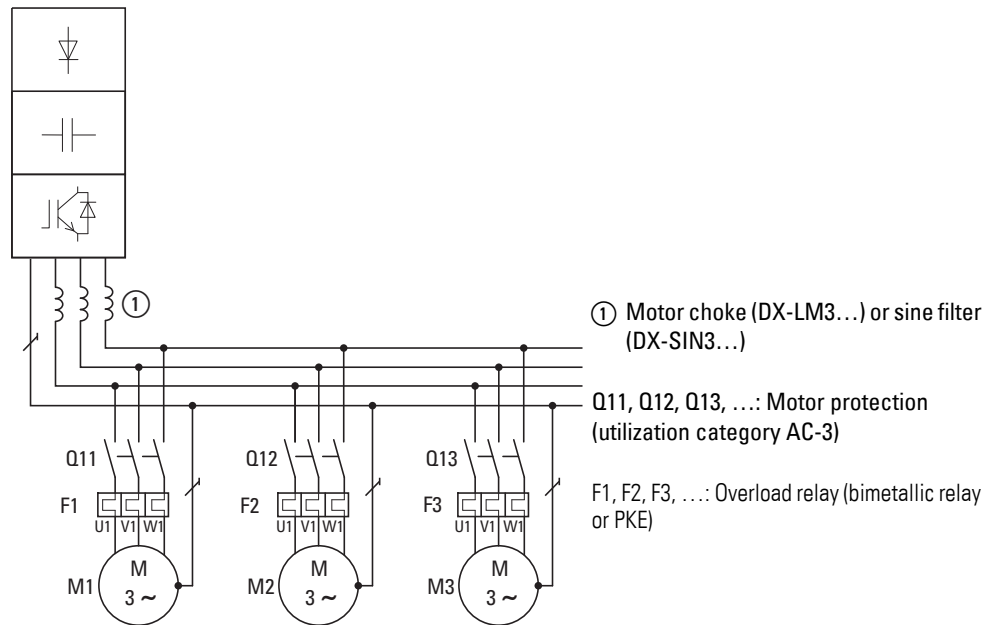


Figure 19: Example: Parallel connection of several motors to one variable frequency drive

2.11 Three-phase motors

DC1-...E1 variable frequency drives can be used to drive the following three-phase AC motors with sensorless control:

- Three-phase asynchronous motor (DAM),
- Permanent magnet motor (PM),
- Brushless DC motors (BLDC)
- Synchronous reluctance motor (SynRM).

When used with their default settings, DC1-...E1 variable frequency drives are configured for V/Hz modulation for the rated motor output of a three-phase asynchronous motor, i.e., this is the intended application for “out-of-the-box operation” without configuring any parameters.



Vector mode, as well as running PM, BLDC, or SyncRM motors, will need for parameters P-60 and P-61 on DC1 variable frequency drives to be configured accordingly.

2.11.1 Motor Selection



Check whether the DC1 variable frequency drive you selected and the AC motor you will be using are compatible with each other as per the corresponding voltage (mains and motor voltage) and rated operational current.

Configurations such as the ones used in outrunner motors and slip-ring motors also fall under the three-phase asynchronous motor category (which in turn is also referred to as the “squirrel-cage rotor” or “standard motor” category). These motors can also be run with DC1 variable frequency drives, but will normally require additional engineering, modifying the various parameters, and detailed information from the motor manufacturer.

General recommendations for motor selection:

- Only use motors that have insulation class F (maximum steady state temperature of 155 °C) at least.
- Choose 4 pole motors preferably (synchronous speed: 1500 min⁻¹ at 50 Hz and 1800 min⁻¹ at 60 Hz).
- Take the operating conditions into account for S1 operation (IEC 60034-1).
- Do not oversize the motor, i.e., the motor should not be more than one rating level higher than the rated motor output.
- In the case of undersized motors, the motor output for continuous operation should not be more than one rating level lower than the rated rating level (in order to ensure that the motor will be protected).
- When running tests or commissioning a system with significantly lower motor outputs, the motor’s rated operational current must be adjusted using parameter P-08 (“rated motor current”).

2.11.2 Circuit types with three-phase motors

A three-phase motor's stator winding can be connected in a star connection or delta circuit as per the mains voltage (U_{LN} = output voltage U_2) and the rated operational data on the motor's nameplate (rating plate).

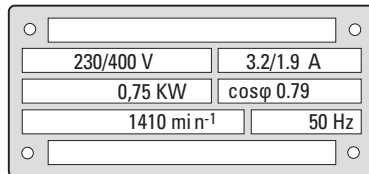


Figure 20: Example of a nameplate (rating plate) for a three-phase asynchronous motor

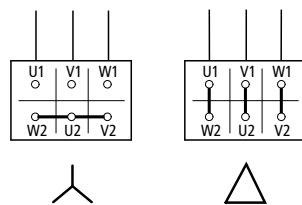


Figure 21: Configuration types:
Star-connected circuit (left), Delta circuit (right)

Examples based on figures 20 and 21

Motor in star connection,
mains voltage: three-phase 400 V; output voltage: three-phase 400 V

→ DC1-342D2...

Motor in delta circuit,
mains voltage: single-phase 230 V; output voltage: three-phase 230 V

→ DC1-124D3...

Motor connection

DC1 variable frequency drive	according to IEC	according to UL
U	U1 (-U2)	T1 (-T4)
V	V1 (-V2)	T2 (-T5)
CO	W1 (-W2)	T3 (-T6)

2 Engineering

2.11 Three-phase motors

2.11.3 Permanent magnet motor (PM motor),

PM motors are three-phase motors that are excited by permanent magnets and have a speed that is directly proportional to the supply frequency. Together with a high-pole-count, three-phase stator winding, the permanent magnets on the rotor make it possible to produce large torques at low speeds, which in turn makes it possible to forgo the use of a gearbox in many applications.

By combining high efficiency and good power factor characteristics with a lightweight and compact construction, PM motors make for a compelling choice when compared to asynchronous motors. Accordingly, these high-efficiency motors are primarily found in roller and press drives, agitator and mill drives, drives for extruder screws, and drives used by the crane industry for a variety of applications.



In order to use vector control with permanent magnet motors, the values for parameters P-60, P-61, and P-62 on DC1 variable frequency drives need to be changed:

- Change the value for P-60 to 2 ("PM motor speed control").
- Change the value for P-61 to 1 ("Motor identification"). Automatic autotune to determine the motor parameters when the motor is stationary.
- P-62 ("MSC gain"). Adjust the gain factor for the speed controller.

2.11.4 Brushless DC motors (BLDC motors)

Contrary to what their name might seem to imply, brushless DC motors (BLDC, also referred to as "EC motors") do not have the same configuration as a DC motor, but are instead put together the same way as three-phase synchronous motors. The three-phase AC field coil in brushless DC motors generates a rotating magnetic field that pulls the permanently excited rotor along. When using vector control, the rotor position is determined based on the back-EMF generated in the stator's coils. This means that the variable frequency drive's output voltage must always be live in all three phases (block voltage control), even when the rotor is stationary. If this condition is met, short current pulses will be generated when the system is stationary – these pulses will not move the motor, but they will have an effect on the rotor's magnetic field.

The control response for BLDC motors is to a large extent the same as that for a shunt DC motor. BLDC motors are primarily used in drive systems for machine tools, servo drives in conveyor systems, and compressors and metering pumps.



In order to use vector control with brushless DC motors, the values for parameters P-60, P-61, and P-62 on DC1 variable frequency drives need to be changed:

- Change the value for P-60 to 3 (“Brushless DC motor speed control”).
- Change the value for P-61 to 1 (“Motor identification”). Automatic autotune to determine the motor parameters when the motor is stationary.
- P-62 (“MSC gain”). Adjust the gain factor for the speed controller.

2.11.5 Synchronous reluctance motor (SynRM)

Synchronous reluctance motors have the same configuration as a three-phase asynchronous motor. In order to prevent eddy currents, their rotor is made of a soft magnetic material such as electrical steel, and in general terms can have one of two different sheet cross-sections.

In the case of reluctance motors intended to be run as grid-connected systems, the rotor additionally features a rotor cage (similar to that used in asynchronous motors). This cage makes it possible for the motor to start asynchronously on the grid until it synchronizes (“falls into step”) to it and is able to follow the rotating field.

In the case of reluctance motors with a rotor that features salient poles with flux directing sections and flux barrier sections, a variable frequency drive with sensorless vector control is required (DC1-...E1). This combination makes it possible to have a rotor speed that is synchronous with the rotating field and achieve optimum operation even when there are load changes. The losses in the rotor will be practically negligible within this context.

Synchronous reluctance motors have better efficiency than conventional asynchronous motors and, in contrast to them, can meet the requirements for the IE4 international efficiency class. Synchronous reluctance motors are primarily used in turbomachinery (rotating equipment) in process engineering, where they are used to drive pumps, fans, compressors, and turbines, as well as mixers, centrifuges, and conveyor systems.



In order to use vector control with synchronous reluctance motors, the values for parameters P-60, P-61, and P-62 on DC1 variable frequency drives need to be changed:

- Change the value for P-60 to 4 (“SynRel motor speed control”).
- Change the value for P-61 to 1 (“Motor identification”). Automatic autotune to determine the motor parameters when the motor is stationary.
- P-62 (“MSC gain”). Adjust the gain factor for the speed controller.

2 Engineering

2.11 Three-phase motors

2.11.6 Single-phase AC motors

It is strictly prohibited to use the DC1 variable frequency drives described in this manual to run single-phase AC motors (induction motors), single-phase asynchronous motors (capacitor motors), shaded-pole motors, etc.

There are other DC1 variable frequency drive models designed for use with these motors: DC1-S1... and DC1-S2... with IP20 and IP66 degrees of protection.



For more information on how to run single-phase AC motors using the DC1 variable frequency drive, please refer to Application Note AP040037EN, “DC1 Variable Frequency Drives – Operating Single Phase Motors”.

ftp://ftp.moeller.net/DRIVES/POWERXL/01_APPLICATION_NOTE/Deutsch/DC1/AP040037DE_DC1_Betrieb_von_Einphasenmotoren.pdf

2.11.7 Connecting EX motors

The following aspects must be taken into account when connecting hazardous location motors:

- A DC1 variable frequency drive can be installed in an explosion-proof enclosure within the hazardous location or in a control panel outside the hazardous location.
- All applicable industry-specific and country-specific regulations for hazardous locations (ATEX 100a) must be complied with.
- The specifications and instructions provided by the motor’s manufacturer with regard to operation with a variable frequency drive – e.g., whether motor reactors (dV/dt limiting) or sine filters are required – must be taken into account.
- Temperature sensors in the motor windings (thermistor, Thermo-Click) must not be connected directly to the variable frequency drive, but instead must be connected through a relay approved for the hazardous location (e.g. EMT6).

3 Installation

3.1 Introduction

This chapter provides a description of the installation and the electrical connections for the variable frequency drive DC 1 series.

- ➔ While installing and/or assembling the variable frequency drive, cover all ventilation slots in order to ensure that no foreign bodies can enter the device.
- ➔ Perform all installation work with the specified tools and without the use of excessive force.
- ➔ For more information on how to install DC1 variable frequency drives with the various available degrees of protection and frame sizes, please refer to the following instruction leaflets:
 - IL04020009Z (IP20 in FS1, FS2, FS3)
 - IL04020024ZU (IP20 in FS4)
 - IL04020013Z (IP66 in FS1, FS2, FS3)

3.2 Mounting position

DC1-...CE1 variable frequency drives have a conformal coating on their printed circuit boards (coated boards) that provides enhanced protection from moisture and soiling.

DC1 variable frequency drives are available with two enclosure versions:

- IP20/NEMA 0 degree of protection: for use in control panels.
- IP66/NEMA 4X protection type: This enclosure version protects against moisture and dust and is designed for use in harsh conditions.

Without the required additional measures, using the device in the following environments is strictly prohibited:

- Explosion-proof Ranges
- Environments with damaging substances:
 - Oils and acids
 - Gases and fumes
 - Dust
 - Radiated noise
- Environments with mechanical vibration and impact loads that go beyond the requirements in EN 50178.
- Areas in which the variable frequency drive takes care of safety functions that must guarantee machine and personnel protection.

3.3 Mounting

The engineering instructions in this section are meant to show how to install the device in a suitable enclosure for devices with degree of protection IP20 in compliance with standard EN 60529 and/or any other applicable local regulations.

- The enclosures must be made of a material with high thermal conductivity.
- If a control panel with ventilation openings is used, the openings must be located above and below the variable frequency drive in order to allow for proper air circulation. Air should be delivered from the bottom and conveyed outwards through the top.
- If the environment outside the control panel contains dirt particles (e.g., dust), a suitable particle filter must be placed on the ventilation openings and forced ventilation must be used. The filters must be maintained and cleaned if necessary.
- An appropriate enclosed control panel (without ventilation openings) must be used in environments containing large percentages or amounts of humidity, salt, or chemicals.



Install the DC1 variable frequency drive only on a nonflammable mounting base (e.g., on a metal plate).

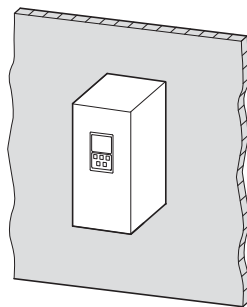


Figure 22: Surface mounting on metal plate

IP66 DC1 variable frequency drives must be installed as required by the local conditions for this degree of protection.

3.3.1 Mounting position

DC1 series variable frequency drives are designed to be mounted vertically. The maximum permissible inclination is 30°.

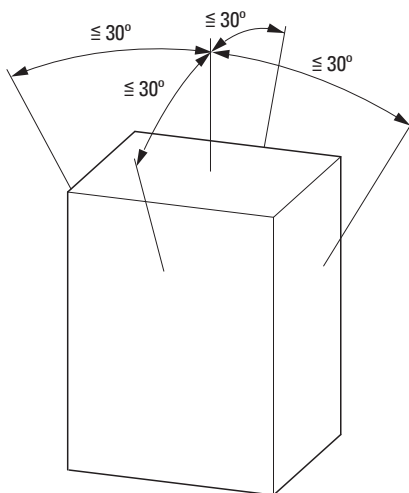


Figure 23: Mounting position

3.3.2 Cooling measures

To ensure that there is sufficient air circulation, appropriate thermal clearances must be maintained, with these clearances depending on the size of the specific variable frequency drive.

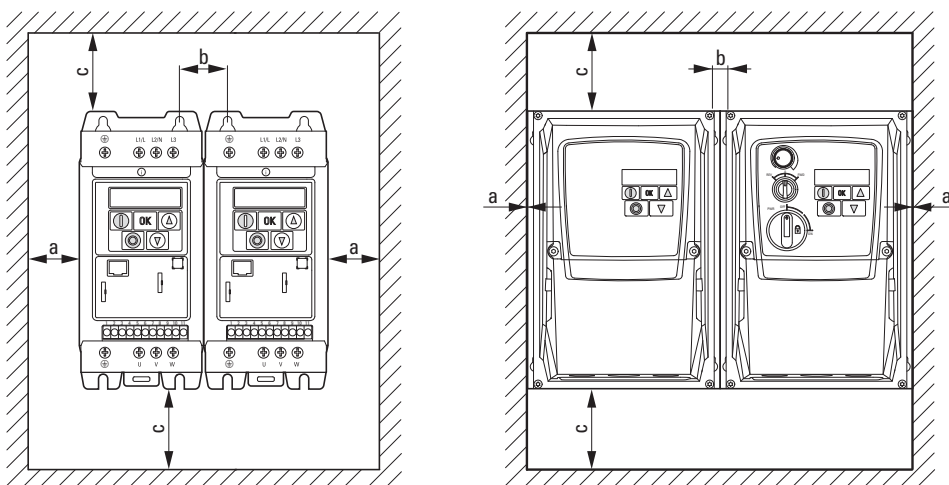


Figure 24: Clearances for air cooling (left: IP20; right: IP66)



The variable frequency drives can be mounted side by side without any lateral clearance between them.

3 Installation

3.3 Mounting

When variable frequency drives with internal fans are installed vertically over each other, an air baffle must be placed between the devices. Failure to do so may expose the device on top to a thermal overload caused by the guided air flow (device fan).

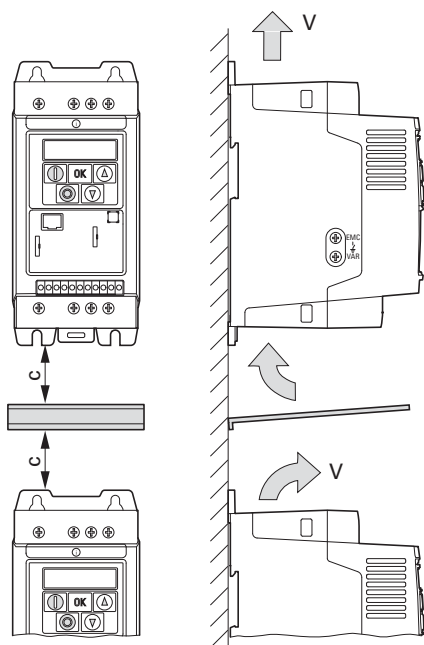


Figure 25: Deflector due to increased circulation caused by device fan



Devices with high magnetic fields (e. g. reactors or transformers) should not be installed close to the variable frequency drive.

Table 3: Recommended values for minimum clearances and required cooling air (see fig. 24, 25)

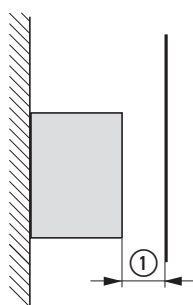
Size	a		b		c		Airflow ¹⁾	
	mm	in	mm	in	mm	in	m ³ /h	ft ³ /min
For degree of protection IP20								
FS1	50	1.97	33	1.3	50	1.97	18.69	11
FS2	50	1.97	46	1.81	75	2.95	37.38	22
FS3 ²⁾	50	1.97	52	2.05	100	3.94	101.94	60
FS4	50	1.97	52	2.05	100	3.94	203.88	120
For degree of protection IP66								
FS1	10	0.39	12.5	0.49	200	7.87	–	–
FS2	10	0.39	12.0	0.47	200	7.87	–	–
FS3 ²⁾	10	0.39	13.0	0.51	200	7.87	–	–

1) ft³/min = CFM (cubic foot per minute)

2) For UL conformity, the maximum permissible ambient air temperature over a period of 24 hours is limited to +45 °C for the DC1-127D0..., DC1-32011..., and DC1-32018... variable frequency drives.

The values specified in → Table 3 are recommended values for an ambient temperature of up to +50 °C with an IP20 degree of protection or +40 °C with an IP66 degree of protection, an installation altitude of up to 1000 m, and a switching frequency of up to 8 kHz.

→ Typical heat loss makes up about 3% of the operational load conditions.



Size with IP20 degree of protection	Minimum clearance ①
FS1, ..., FS4	≥ 15 mm (≥ 0.59 inch)
FS1, ..., FS4 with DX-NET-SWD3 and SWD4-8SF2-5	≥ 50 mm (≥ 1.97 inch)

Figure 26: Minimum required clearance ① in front of the variable frequency drive when installed in an enclosure (control panel)

3 Installation

3.3 Mounting

3.3.3 fixing

All DC1 variable frequency drive frame sizes can be mounted with screws. Moreover, frame sizes FS1 to FS3 with an IP20 degree of protection can be mounted on a mounting rail as well.

➔ Dimension and weight specifications for the DC1 variable frequency drive can be found in the
➔ Section 6.3, "Dimensions", page 148.

3.3.3.1 Fixing with screws

➔ Use screws with a washer and split washer with the permissible tightening torque in order to protect the enclosure and safely and reliably mount the device.

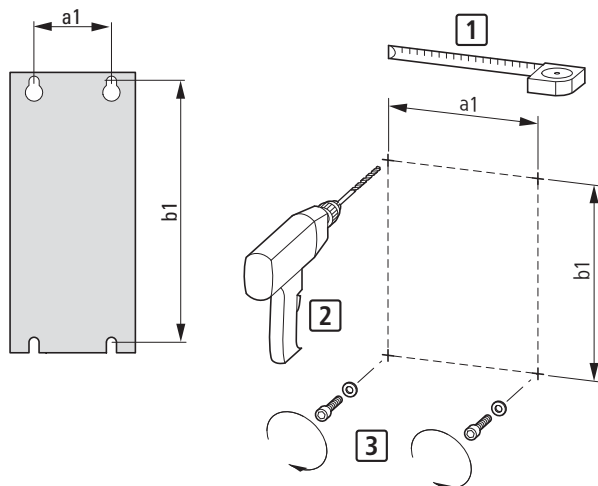


Figure 27: Mounting dimensions

- ▶ First fit the screws at the specified positions, mount the variable frequency drive and then fully tighten all screws.

Table 4: Installation dimensions, screws, tightening torques

Size	Degree of protection		a1		b1		Screw		Tightening torque	
	FS	IP	NEMA	mm	in	mm	in	Quantity	Size	N/m
FS1	IP20	NEMA 0	50	1.97	170	6.69	4	M4	1	8.85
FS1	IP66_x	NEMA 4X	184.5	5.85	189	7.44	4	M4	1.2 - 1.5	10.62 - 13.27
FS2	IP20	NEMA 0	75	2.95	215	8.46	4	M4	1	8.85
FS2	IP66_x	NEMA 4X	176	6.93	200	7.87	4	M4	1.2 - 1.5	10.62 - 13.27
FS3	IP20	NEMA 0	100	3.94	255	10.04	4	M4	1	8.85
FS3	IP66_x	NEMA 4X	198	7.78	252	9.9	4	M4	1.2 - 1.5	10.62 - 13.27
FS4	IP20	NEMA 0	125	4.92	400	15.75	4	M6	4	35.4

1 in = 1" = 25.4 mm; 1 mm = 0.0394 in

3.3.3.2 Fixing on a mounting rail

As an alternative to screw fixing, DC1 variable frequency drives with sizes FS1, FS2 and FS3 and a degree of protection of IP20 can also be mounted on a mounting rail as per IEC/EN 60715.

➔ If you use EMC mounting adapters (DX-EMC-MNT-...), use a tall mounting rail (15 mm) preferably.

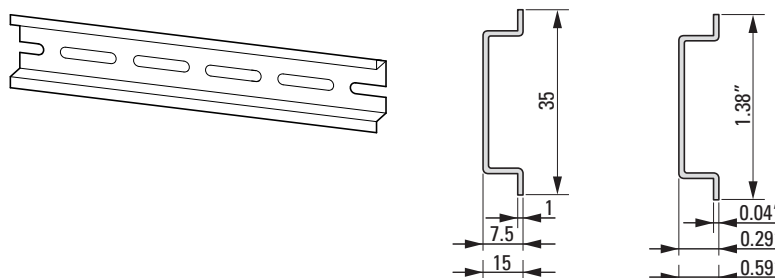


Figure 28: Mounting rail conforming with IEC/EN 60715

➔ If you use EMC mounting adapters (DX-EMC-MNT-...), use a tall mounting rail (15 mm) preferably.

▶ To do this, place the variable frequency drive on the mounting rail from above [1] and press it down until it snaps into place [2].

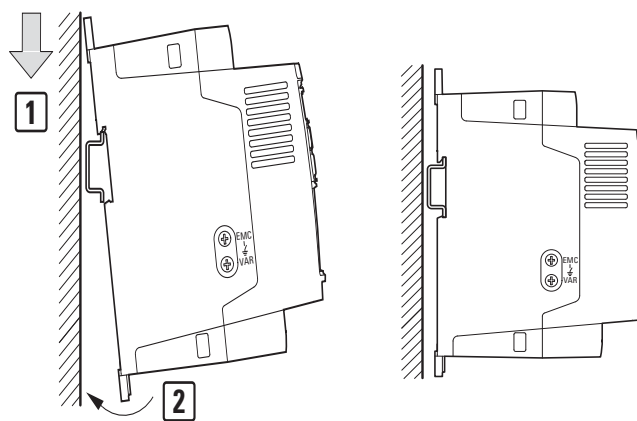


Figure 29: Fixing on a mounting rail

3 Installation

3.3 Mounting

Dismantling from mounting rails

- ▶ To remove the device, push down the spring-loaded clip. A cutout marked on the lower edge of the device is provided for this purpose. A flat-bladed screwdriver (blade width 5 mm) is recommended for pushing down the clip.

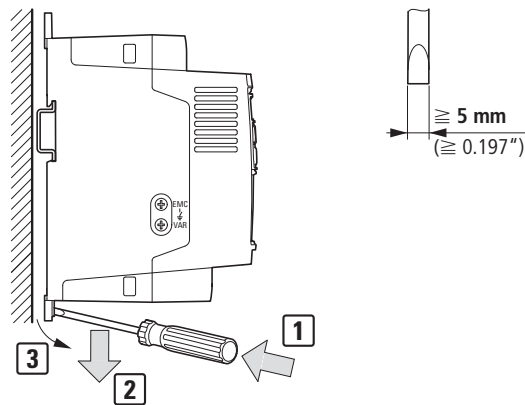


Figure 30: Dismantling from mounting rails

3.4 IP66/NEMA4X degree of protection

IP66 DC1 variable frequency drives are available in two versions:

- DC1-...-A66N: Activation via control signal terminals
- DC1-...-A6SN: Controlled with controls on the front and/or control signal terminals

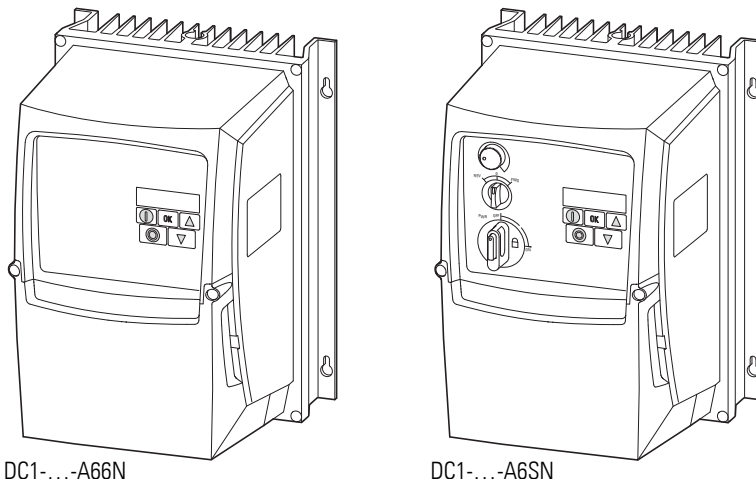


Figure 31: IP66 variants

The units must be mounted, with four screws and in a vertical position, on a wall or panel that is made of nonflammable material and is stable enough to hold the variable frequency drive's weight.

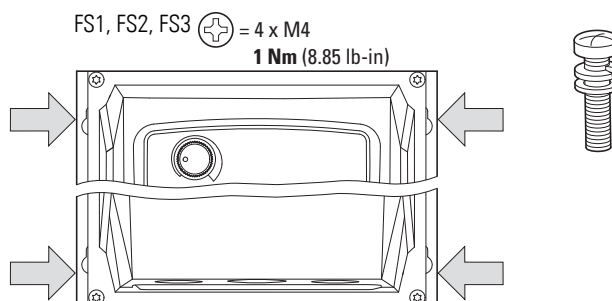


Figure 32: Openings for fixing screws

On the DC1-...-A6SN version, the main disconnect switch can be locked in the OFF position with a standard padlock.

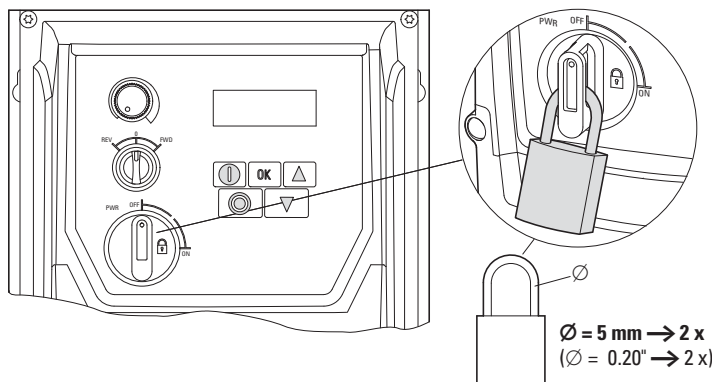


Figure 33: DC1-...-A6SN with padlock

- ▶ Push on the center of the switch in order to open the opening for the padlock.

3 Installation

3.5 EMC installation

3.5 EMC installation

The responsibility to comply with the legally stipulated limit values and thus the provision of electromagnetic compatibility is the responsibility of the end user or system operator. This operator must also take measures to minimize or remove emission in the environment concerned. He must also utilize means to increase the interference immunity of the devices of the system.



In a magnet system (PDS) with variable frequency drives, you should take measures for electromagnetic compatibility (EMC) while doing your engineering, since changes or improvements to the installation site, which are required in the installation or while mounting, are normally associated with additional higher costs as well.

The technology and system of a variable frequency drive cause the flow of high frequency leakage current during operation. Because of this, all earthing elements must be low-impedance elements connected in such a way as to establish an electrical contact across a large surface area.

With leakage currents greater than 3.5 mA, in accordance with VDE 0160 or EN 60335, either

- the cable cross-section of the protective conductor must be $\geq 10 \text{ mm}^2$,
- the protective conductor must be open-circuit monitored, or
- the second protective conductor must be fitted.

For an EMC-compliant installation, we recommend the following measures:

- installation of the variable frequency drive in a metallically conductive housing with a good connection to ground,
- screened motor cables (short cables).



Ground all conductive components and housings in a drive system using as short a line as possible with the greatest possible cross-section (Cu-braid).

3.5.1 EMC measures in the control panel

In order to have an installation that meets EMC requirements, make sure to connect all the metallic parts in the devices and in the control panel to each other across a large area and in a way that will make it possible to conduct high frequencies. Mounting plates and control panel doors should be connected to the panel by means of short drain wires with an electrical contact established across a large surface area.



Do not make connections to painted surfaces (electrolytic oxidation, yellow chromated).

- ➔ Install the variable frequency drive as directly as possible (without spacers) on a metal plate (mounting plate).
- ➔ Route mains and motor cables in the control cabinet as close to the ground potential as possible. This is because free moving cables act as antennas.
- ➔ If routed in parallel, cables carrying high frequencies (e.g., screened motor cables) and clean cables (e.g., mains supply cable, control and signal cables) should be installed at a distance of at least 100 mm from each other in order to avoid electromagnetic interference. You should also use separate cable entries if there is a great difference in voltage potentials. If control cables and power cables need to cross, they should always do so at a right angle (90°).

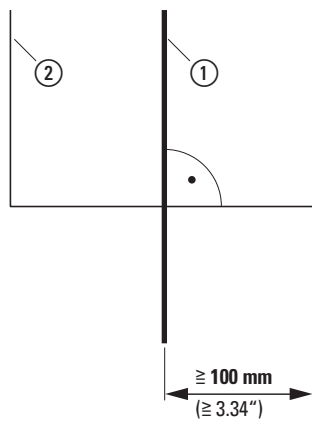


Figure 34: Cable routing

- ➔ Do not route the control and signal cables ② in the same conduit as the power cables ①. Analog signal cables (measured values, setpoints, and correction values) must be routed inside screened conduit.

3 Installation

3.5 EMC installation

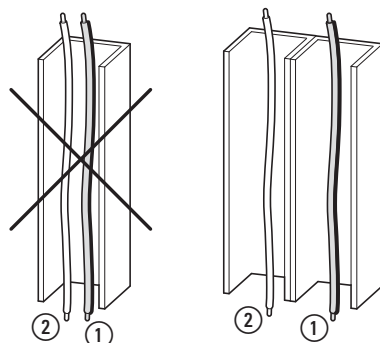


Figure 35: Separate routing

- ① Power cable: mains voltage, motor connection
- ② Control and signal lines, fieldbus connections

3.5.2 Earthing

The protective earth (PE) in the control panel should be connected from the mains supply to a central earth point (mounting plate, system earth). The PE conductor's cross-sectional area must be at least as large as that of the incoming mains supply cable. If there are leakage currents greater than 3.5 mA, the PE conductor must have a minimum cross-sectional area of 10 mm².

Every variable frequency drive must be individually connected to the power supply system's protective earth directly at the location of installation (system earthing). This protective earth must not pass through any other devices.

All protective conductors should be routed in a star topology starting from the central earth point, and all of the magnet system's conductive components (e.g. variable frequency drive, sine filter) should be connected.

The earth-fault loop impedance must comply with all locally applicable industrial safety regulations. In order to meet UL requirements, UL-listed ring cable lugs must be used for all earth wiring connections.



Avoid ground loops when installing multiple variable frequency drives in one control panel. Make sure that all metallic devices that are to be grounded have a broad area connection with the mounting plate.

3.5.2.1 Protective earth

This refers to the legally required protective earth for a variable frequency drive. An earthing terminal on the variable frequency drive, or the system earth, must be connected to a neighboring steel element in the building (beam, ceiling joist), an earth electrode in the ground, or a mains earth bus. The earth points must meet the requirements set forth by the applicable national and local industrial safety regulations and/or regulations for electrical systems.

3.5.2.2 Motor earthing

The motor earthing must be connected to one of the earthing terminals on the variable frequency drive, as well as to the central earth point on the power drive system (PDS). Earth connections to a neighboring steel element in the building (e.g., beam, ceiling joist), a ground rod in the ground, or a mains earth bus must meet the requirements set forth in the applicable national and regional industrial safety regulations and/or regulations for electrical systems.

3.5.2.3 Earth-fault protection

A fault current to earth can be produced by variable frequency drives due to their system characteristics. DC1 series variable frequency drives have been designed in such a way that the smallest possible fault current will be produced in compliance with standards applicable worldwide. In the case of devices powered with a three-phase supply (DC1-3...), this fault current must be monitored by an AC/DC-sensitive type B residual current device (RCD).

3.5.3 Internal filters (EMC and VAR screws)

FS1 to FS3 DC1 variable frequency drives with an IP20 degree of protection feature two screws on the left side that are labeled EMC and VAR.

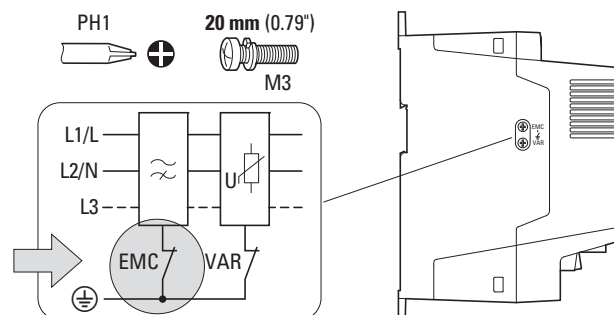


Figure 36: EMC and VAR screw

In the case of units with a frame size of FS4, there will be two screws labeled EMC: one next to the main terminals and another one next to the motor terminals.

3 Installation

3.5 EMC installation

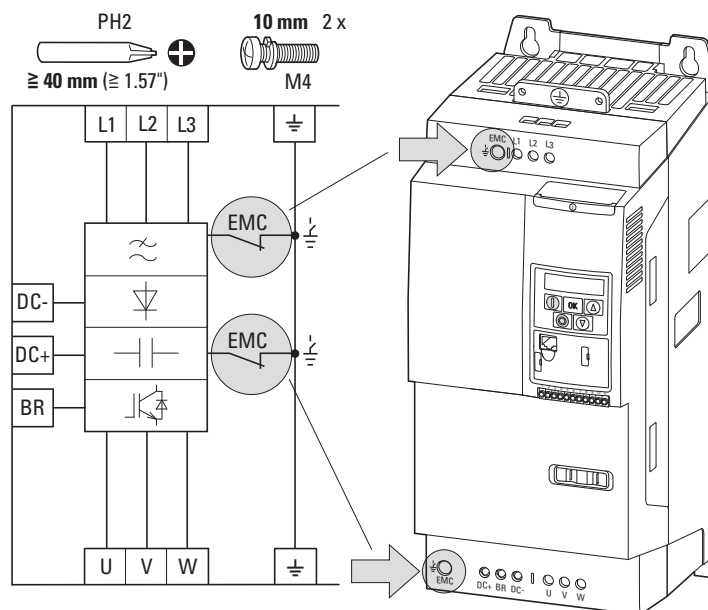


Figure 37: Two EMC screws on devices with a frame size of FS4

3.5.3.1 EMC screw

NOTICE

The screw labeled EMC must not be manipulated as long as the variable frequency drive is connected to the mains or there is a DC link voltage.



The EMC screw galvanically connects the EMC filter's mains-side capacitors to the earthing (PE). The screw must be screwed in all the way to the stop (factory setting) in order for the variable frequency drive to comply with EMC standards.

In the case of units with a frame size of FS4, the DC link filter (Y class capacitors) is galvanically connected to the earthing (PE) via the two EMC screws (motor connection side).

NOTICE

In the case of units with a frame size of FS4, both EMC screws must be either installed or removed, i.e., it is not permissible for one of them to remain installed while the other one is removed.

Due to their system characteristics, variable frequency drives with an internal EMC filter will produce a larger fault current to earth than devices without a filter. For applications in which this larger leakage current may cause malfunction messages or disconnections (residual current device), the EMC filter's internal protective earth can be disconnected (remove the EMC screw to do this).

Local EMC regulations must be taken into account when doing so. If necessary, a specific low-leakage-current EMC filter (DX-EMC...-L) must be connected upstream.

In connections to isolated power sources (IT networks), the EMC and VAR screw should be removed. The earth fault monitors required for IT networks must be suitable for operation with power electronic devices (IEC 61557-8).

3.5.3.2 VAR screw

DC1 variable frequency drives with a frame size of FS1 to FS3 and an IP20 degree of protection are equipped with an overvoltage filter for the input supply voltage. This overvoltage filter is designed to protect the devices from noise pulses and high voltage magnitudes in the mains voltage. Pulse spikes are typically caused by lightning strikes or by switching operations in other high-power devices on the same supply.

If high potential tests are performed on a system, these overvoltage protection components may cause the system to fail the test. In order to make it possible to perform this type of hipot tests, the overvoltage protection components can be disconnected by removing the VAR screw. The screw must be screwed back in after the high potential tests are performed and the test must then be repeated. The system must then fail the test, indicating that the overvoltage protection components have been reconnected.

NOTICE

The screw labeled VAR (→ Figure 36, page 71) must not be manipulated as long as the variable frequency drive is connected to the mains or there is a DC link voltage.

3.5.4 Screen earth kit

Cables that are not screened work like antennas (sending, receiving).



For a proper EMC connection, cables emitting interference (e.g. motor cables) and susceptible cables (analog signal and measured values) must be screened and laid separately from each other.

The effectiveness of the cable screen depends on a good screen connection and a low screen impedance.



Use only screens with tinned or nickel-plated copper braiding. Screens made of steel braids or metal conduits are either not suitable or suitable only to a limited extent (depending on the EMC environment).



Control and signal lines (analog, digital) should always be grounded on one end, in the immediate vicinity of the supply voltage source (PES).

3 Installation

3.5 EMC installation

3.5.5 EMC cable brackets

Frame-size-specific DX-EMC-MNT-... cable brackets can be used to easily route and secure cables in the connection area of a DC1 variable frequency drive with a frame size of FS1 to FS3 and an IP20 degree of protection. These cable brackets are mounted on the variable frequency drive's mains connection side (DX-EMC-MNT-...**N**) and motor side (DX-EMC-MNT-...**M**) using the corresponding mounting holes, and are then connected to the drive's earthing.

The cable brackets' integrated hole pattern (M4 screw thread) makes it possible to secure the cables being connected and relieve any strain on them by using the corresponding gland plates. It also makes it possible to have a good 360° EMC connection (PES) in the case of screened cables.

These cable brackets are made of galvanized sheet steel.

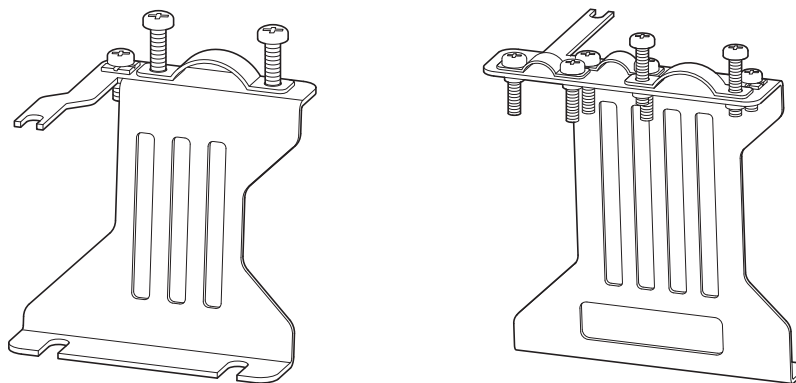


Figure 38: DX-EMC-MNT-...**N** (left), net and DX-EMC-MNT-...**M** (right), motor, cable brackets

Table 5: Cable brackets

Cable bracket	Size DC1 in IP20	Gland plates	
		Quantity	Designation
DX-EMC-MNT-1N	FS1	1	Mains connection
DX-EMC-MNT-1M	FS1	2	Control cables, motor connection
DX-EMC-MNT-2N	FS2	1	Mains connection
DX-EMC-MNT-2M	FS2	3	Control cables, motor connection, external braking resistance
DX-EMC-MNT-3N	FS3	1	Mains connection
DX-EMC-MNT-3M	FS3	3	Control cables, motor connection, external braking resistance



We recommend connecting the DX-EMC-MNT-... cable brackets to the variable frequency drive before installing it.

- ➔ For more information and technical data on DX-EMC-MNT-... EMC cable brackets, please refer to instruction leaflet IL040010ZU.
- ➔ DX-EMC-MNT-... EMC cable brackets are sold as individual units. There are different brackets for each DC1 variable frequency drive size (FS1 to FS3). The gland plates and their fixing screws are included in the equipment supplied with the cable brackets.

Connection example

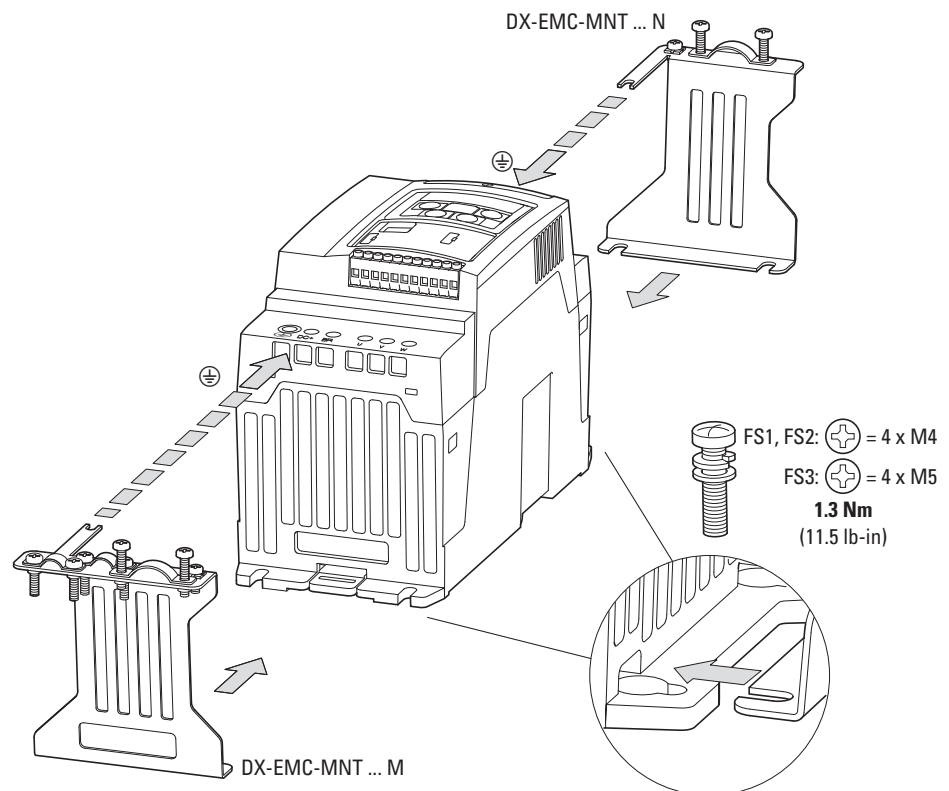


Figure 39: EMC cable brackets (example: FS2 frame size)

3.5.6 General installation diagram

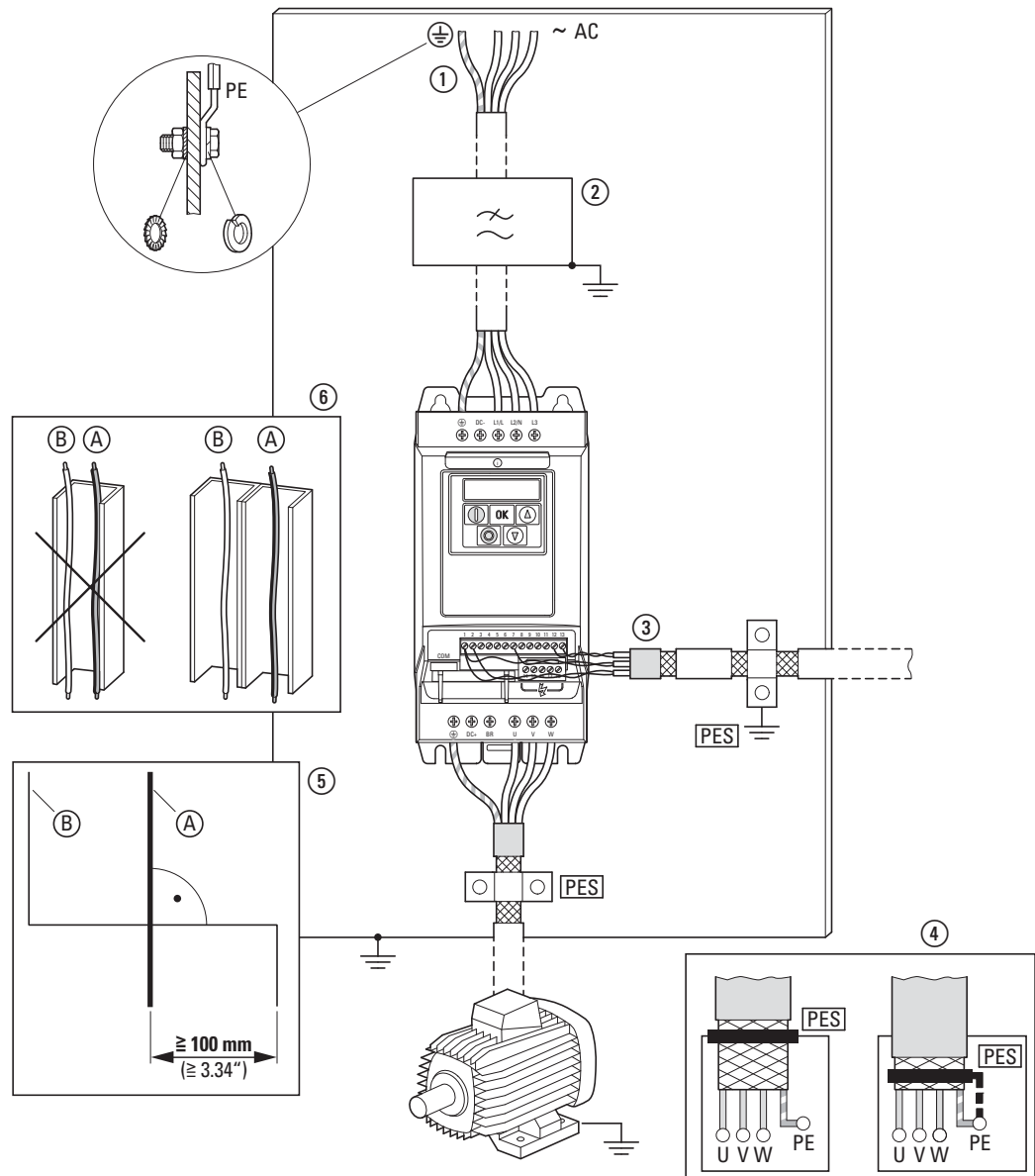


Figure 40: EMC installation

- ① Mains connection: Supply voltage, central earthing connection for control panel and machine
- ② External radio interference suppression filter: Optional DX-EMC... radio interference suppression filter for longer motor cables or use in a different EMC environment
- ③ Control connection: Connection for the digital and analog control cables and communication via RJ45 plug-in connection
- ④ Motor connection: Connection (PES) between the screened motor cable and the motor's terminal box, made according to EMC requirements, with metal cable gland or with gland plate in the terminal box.
- ⑤ Cable routing: Power cables (A) and control cables (B) spatially routed separately from each other. If different potential levels need to cross, they should do so at a right angle as far as possible.
- ⑥ Cable routing: Do not route power cables and control cables parallel to each other in a single cable duct. If they need to be routed in parallel, they should be in separate metal cable ducts (in order to meet EMC requirements).

3.6 Electrical Installation



CAUTION

Carry out wiring work only after the variable frequency drive has been correctly mounted and secured.



DANGER

Electric shock hazard - risk of injuries!
Carry out wiring work only if the unit is de-energized.

NOTICE

Fire hazard!
Only use cables, circuit-breakers, and contactors that feature the indicated permissible nominal current value.

NOTICE

On DC1 variable frequency drives, earth leakage currents can be greater than 3.5 mA (AC).
Accordingly, as per IEC/EN 61800-5-1, an additional protective conductor must be connected or the protective conductor's cross-sectional area must be at least 10 mm².



DANGER

The components in the variable frequency drive's power section remain energized up to five (5) minutes after the supply voltage has been switched off (intermediate circuit capacitor discharging time).

Pay attention to hazard warnings!



Complete the following steps with the specified tools and without using force.

3 Installation

3.6 Electrical Installation

3.6.1 Connection to power section

The connection to the power section is normally made via the connection terminals:

- L1/L, L2/N, L3, PE for the mains-side supply voltage.
The phase sequence does not matter.
- DC+, DC-, PE for DC link coupling or if the device is being supplied with DC voltage
- U, V, W, PE for the connection to the motor
- BR, DC+, PE for an external brake resistor

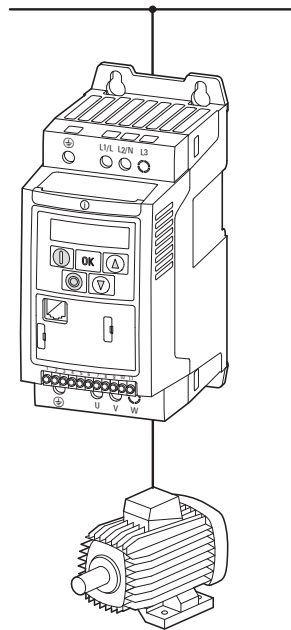


Figure 41: Connection in power section (schematic)

The number and the arrangement of the connection terminals used depend on the variable frequency drive's size and model.

NOTICE

The variable frequency drive must always be connected with ground potential via a grounding conductor (PE).

3.6.1.1 Terminals in power section for units with IP20 degree of protection

Table 6: Terminals (IP20)

Size	Connection terminals	Description
FS1		Connection with single-phase supply voltage: <ul style="list-style-type: none"> DC1-1D... (115 V) DC1-12... (230 V) Note: Connection to terminal L3 not permissible!
		Connection with three-phase supply voltage: <ul style="list-style-type: none"> DC1-32... (230 V) DC1-34... (400 V, 480 V)
		Motor connection for three-phase motors: <ul style="list-style-type: none"> DC1-1D... (230 V) DC1-12... (230 V) DC1-32... (230 V) DC1-34... (400 V, 460 V)
FS2, FS3		Connection with single-phase supply voltage (115 V, 230 V): <ul style="list-style-type: none"> DC1-1D (115 V) DC1-12 (230 V) Note: Connection to terminal L3 not permissible! DC- : Negative DC link connection if using an external DC power supply or DC link coupling. The terminal's plastic cover can be removed if necessary.
		Connection with three-phase supply voltage: <ul style="list-style-type: none"> DC1-32... (230 V) DC1-34... (400 V, 480 V) Note: DC- : Negative DC link connection if using an external DC power supply or DC link coupling. The terminal's plastic cover can be removed if necessary.
		Motor connection for three-phase motors: <ul style="list-style-type: none"> DC1-1D... (230 V) DC1-12... (230 V) DC1-32... (230 V) DC1-34... (400 V, 460 V) Note: DC+ : Positive DC link connection if using an external DC power supply, DC link coupling, or braking chopper. The terminal's plastic cover can be removed if necessary. BR : Terminal for brake resistor (braking chopper output). The terminal's plastic cover can be removed if necessary.

3 Installation

3.6 Electrical Installation

Size	Connection terminals	Description
FS4	<p>The top diagram illustrates the connection for a three-phase supply. It shows two rows of terminals: the top row has PE, L1, L2, L3 and the bottom row has EMC, L1, L2, L3. PE and EMC are connected to ground. L1, L2, and L3 are connected to the three phases of the supply.</p> <p>The bottom diagram illustrates the motor connection for three-phase motors. It shows terminals DC+, BR, DC-, U, V, W and a motor M 3~. DC+ and DC- are connected to the DC link. BR is connected to the braking chopper output. U, V, and W are connected to the motor's three-phase terminals. A PES terminal is also shown, connected to the motor's frame.</p>	<p>Connection with three-phase supply voltage:</p> <ul style="list-style-type: none"> • DC1-32... (230 V) • DC1-34... (400 V, 480 V) <p>Motor connection for three-phase motors:</p> <ul style="list-style-type: none"> • DC1-32... (230 V) • DC1-34... (400 V, 480 V) <p>Note: DC+, DC-: DC link connection if using an external DC power supply or DC link coupling. The terminals' plastic cover can be removed if necessary. DC+, BR: Connection for external brake resistors (BR = braking chopper output). The terminals' plastic cover can be removed if necessary.</p>

3.6.1.2 Terminals in power section for units with IP66 degree of protection

On units with an IP66 degree of protection, the connection area is located behind the lower enclosure cover.

To open the cover, release the two latches by turning them counterclockwise (90 degrees) so that they are in a vertical position [1]. Once the latches are released, you can lift the cover off [2].

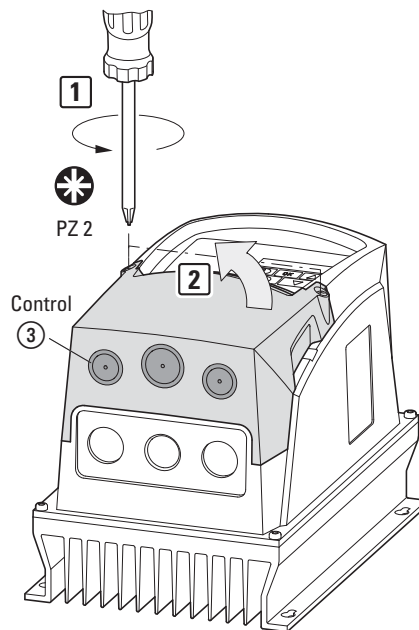


Figure 42: Removing the lower housing cover

3 Installation

3.6 Electrical Installation

Table 7: Terminals (IP66)

Size	Connection terminals	Description
FS1	<p>PE L L N</p>	Connection with single-phase supply voltage: <ul style="list-style-type: none"> • DC1-1D... (115 V) • DC1-12... (230 V) <p>Note: Connection to terminal L3 not permissible!</p>
	<p>PE L1 L2 L3</p>	Connection with three-phase supply voltage: <ul style="list-style-type: none"> • DC1-32... (230 V) • DC1-34... (400 V, 480 V)
		Motor connection for three-phase motors: <ul style="list-style-type: none"> • DC1-1D... (230 V) • DC1-12... (230 V) • DC1-32... (230 V) • DC1-34... (400 V, 460 V)
FS2, FS3	<p>PE L N</p>	Connection with single-phase supply voltage (115 V, 230 V): <ul style="list-style-type: none"> • DC1-1D (115 V) • DC1-12 (230 V) <p>Note: Connection to terminal L3 not permissible!</p>
	<p>PE L1 L2 L3</p>	Connection with three-phase supply voltage: <ul style="list-style-type: none"> • DC1-32... (230 V) • DC1-34... (400 V, 480 V)
		Motor connection for three-phase motors: <ul style="list-style-type: none"> • DC1-1D... (230 V) • DC1-12... (230 V) • DC1-32... (230 V) • DC1-34... (400 V, 460 V) <p>Note: +, BR: Connection for external brake resistors (BR = Output Brake Chopper). The terminals' plastic cover can be removed if necessary. Terminal + has the same function as terminal DC+ in devices with an IP20 degree of protection.</p>

3.6.1.3 Stripping lengths and tightening torques

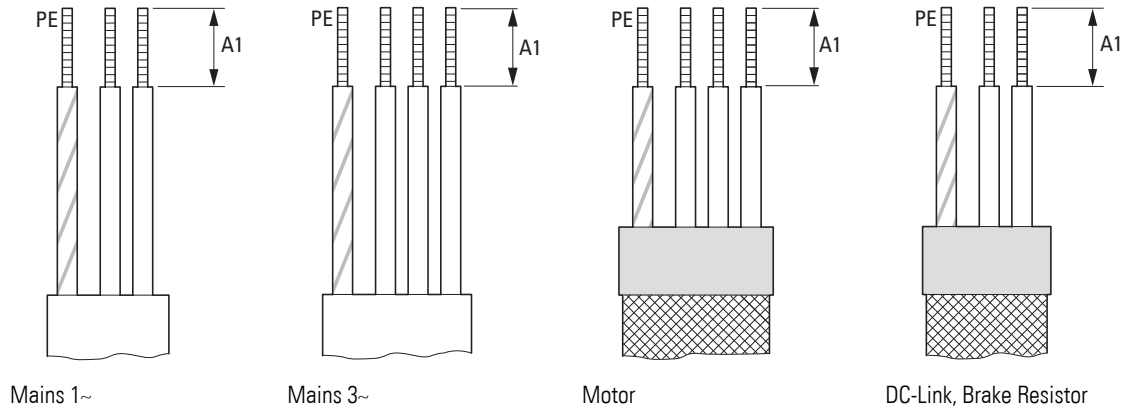


Figure 43: Stripping lengths in the power section

Mains = Electrical power network (supply voltage)

Motor = Motor connection

DC link = Internal DC link (DC link coupling)

Brake Resistor = Braking resistance (connection to brake chopper)

Table 8: Terminal capacities and tightening torques

Size	A1		Maximum terminal capacity		Tightening torque	
	mm	in	mm ²	AWG	N/m	lb-in
FS1	8	0.3	8	8	1	8.85
FS2	10	0.39	8	8	1	8.85
FS3	10	0.39	8	8	1	8.85
FS4	10 - 11	0.39 - 0.43	16	5	2.1	19

PE connection: Ring terminal with a diameter of 6.3 mm (0.25")

PE

3 Installation

3.6 Electrical Installation

3.6.1.4 Connecting the motor cable

The screened cables between the variable frequency drive and the motor should be as short as possible.

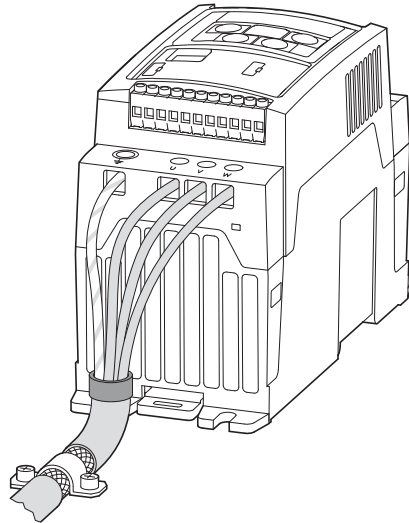


Figure 44: Connection on motor side

- ▶ Connect the screening, on both sides and across a large area (360° overlap), to the protective earth (PE) \oplus . The power screening's protective earth (PES) connection should be in the immediate proximity of the variable frequency drive and directly on the motor terminal box.
- ▶ Prevent the screen earth kit from becoming unbraided, i.e. by pushing the separated plastic covering over the end of the shielding or with a rubber grommet on the end of the shielding. Terminate the cable screen across a large area at the end (PES).

Alternatively, you can twist the screen braid and connect it to the protective earth with a cable lug. In order to prevent EMC interference, this twisted screen connection should be as short as possible (recommended value for the twisted cable screen: $b \geq 1/5 a$).

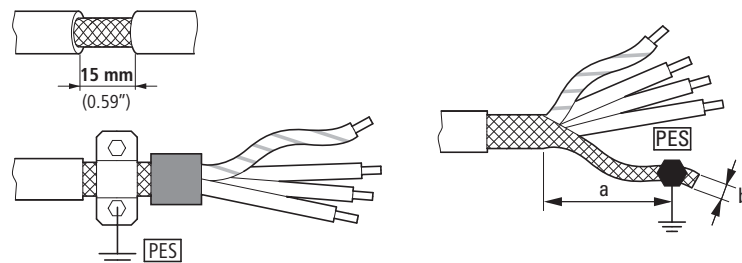


Figure 45: Screened connection cable in motor circuit

Screened, four-wire cable is recommended for the motor cables. The green-yellow conductor in these cables must be used to connect the motor's and variable frequency drive's PE terminals, minimizing the loads on the cable screen (high equalizing currents).

The following figure shows the construction of a four-wire, screened motor line (recommended specifications).

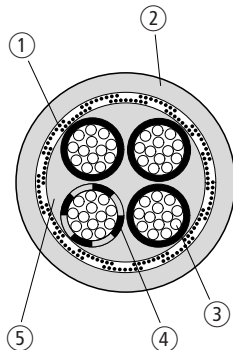


Figure 46: Four-core, screened motor supply cable

- ① Cu shield braid
- ② PVC outer casing
- ③ Flexible wire (copper strands)
- ④ PVC core insulation, 3 x black, 1 x green–yellow
- ⑤ Textile and PVC fillers

If there are additional subassemblies in a motor feeder (such as motor contactors, overload relays, motor chokes, sine filters or terminals), the shielding of the motor cable can be interrupted close to these subassemblies and connected to the mounting plate (PES) with a large area connection. Free or non-shielded connection cables should not be any longer than about 300 mm (max. 500 mm).



In the case of units with a frame size of FS1, FS2, or FS3, the screened motor cable can also be connected using an EMC cable bracket (DX-EMC-MNT...M) → Section 3.5.5, “EMC cable brackets”, page 74.

3 Installation

3.6 Electrical Installation

3.6.1.5 Cable glands IP66

In the case of units with an IP66 degree of protection, a total of six cable glands can be installed. The lower section will come with two knockouts for cable glands that have already been removed and that are intended for the connections in the power section (Mains ①, Motor ②). Meanwhile, the center knockout in the lower section, which will not yet have been removed, is intended for an external brake resistor. In addition, the upper enclosure cover will feature three additional knockouts for routing control and bus cables. If necessary, the corresponding plastic covers can be removed (Control ③).



Make sure not to damage any terminal box parts on the inside when breaking through the plastic covers.

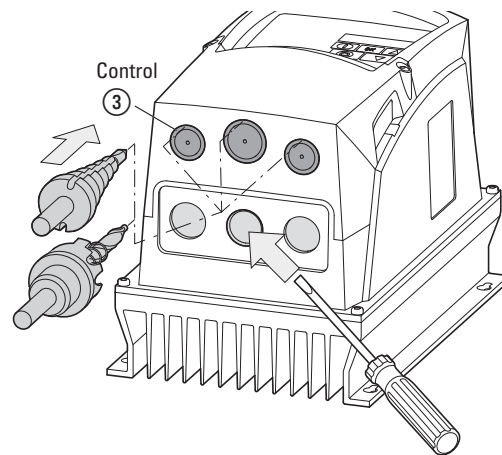


Figure 47: Punching out the knockouts (Example)

Insert a plastic gland into the knockout on the left – which could already have been punched out at the factory – in order to thread in the power supply cord. Due to EMC reasons, you should use an metallic EMC cable gland in the knockout on the right in order to connect the motor cable screen across a large area and ground it.

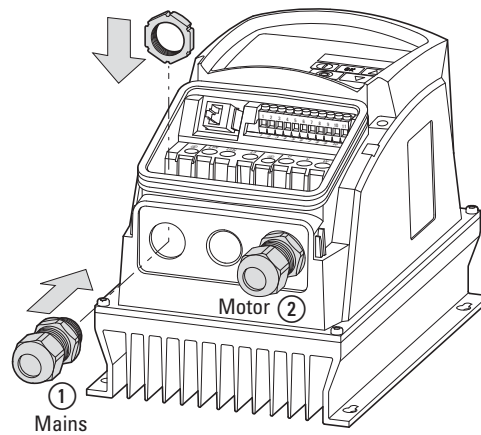


Figure 48: Installing the cable glands



Make sure that the cable glands have at least an IP66 degree of protection.

Table 9: Cable glands that can be used (figures 47, 48)

Range	Size	Hole size	PG-gland	Metric gland
Control section	FS1	2 x 22 mm	2 x PG 13.5	2 x M20
	FS2		1 x PG 16	1 x M25
Control ③	FS3			
Power section	FS1	3x22mm	3 x PG 13.5	3 x M20
	FS2	1x22mm 2x25mm	1 x PG 13.5 2 x PG 16	1 x M20 2 x M25
Mains ①	FS3			
Motor ②				

The EMC cable gland must be earthed properly – e.g., with a metal lock nut that is then connected to the PE terminal.

3 Installation
3.6 Electrical Installation

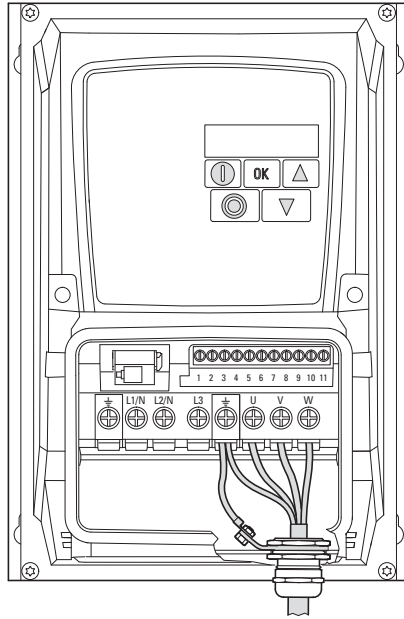


Figure 49: Grounding the EMC cable gland

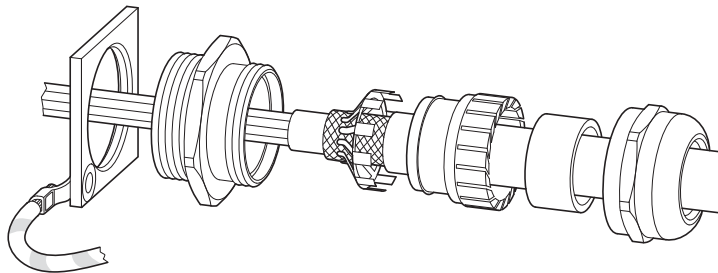


Figure 50: Example: diagram of EMC gland assembly

3.6.2 Connection on control section

The connection to the control section is made using the plug-in connection terminals:

- Terminals 1, 5, 7, 9: Control voltage output (+24V, +10V, 0V),
- Terminals 2, 3, 4, 6: for digital and analog input signals
- Terminal 8: for a digital or analog output signal
- Terminals 10, 11: for a potential-free relay output

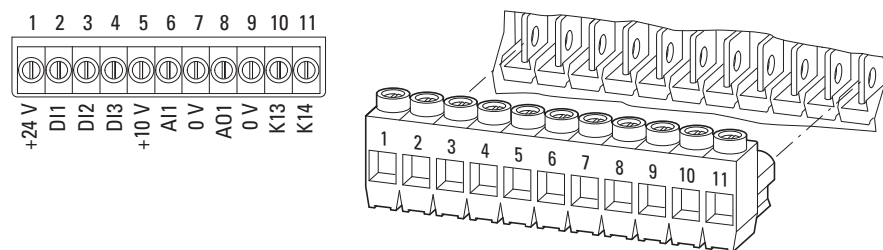


Figure 51: Control signal terminal layout and factory designations



ESD measures

Discharge yourself on a grounded surface before touching the control terminals and the circuit board to prevent damage through electrostatic discharge.

NOTICE

Do not connect an external voltage source to control signal terminal 1 (+24 V)!



DANGER

Before touching or handling the wired control signal terminals, check to make sure that the terminals (terminals 10 and 11) are de-energized.



The relay contact (terminals 10, 11) may be wired to a higher-level control circuit that has a dangerous voltage (e.g., 110 V AC, 230 V AC) even when the variable frequency drive is de-energized.



When using more than one control voltage, we recommend using separate cables.

Example

24 V DC at control signal terminals 1, 2, 3, 4, 6, and 8 and 110 or 230 V AC at control signal terminals 10 and 11.













3 Installation

3.6 Electrical Installation

3.6.2.1 Terminal capacities and stripping lengths

The terminal capacities and stripping lengths are listed in the following table.

Table 10: Control signal terminal sizes and designs

											
mm²	mm²	AWG	mm	in	N/m	ft-lbs	mm				
0.2 - 2.5	0.2 - 1.5	24 - 12	5	0.2	0.5	0.42	0.4 x 2.5				

3.6.2.2 Control signal terminal connection information and functions

The functions that are set in the ex-factory and the electrical connection data of all control signal terminals are listed in the following table.

Table 11: Factory-set functions of the control signal terminal

Connection terminal	Signal	Description	Default Setting
1 +24 V	Control voltage for DI1 - DI4, output (+24 V)	Maximum load 100 mA, Reference potential 0 V Notice: Do not connect an external voltage source!	–
2 DI1	Digital Input 1	+8 - +30 V (High, R _i > 6 kΩ)	Start enable FWD
3 DI2	Digital input 2	+8 - +30 V (High, R _i > 6 kΩ)	Start enable REV
4 DI3 AI2	Digital Input 3 Analog Input 2	<ul style="list-style-type: none"> digital: +8 - +30 V (high) Analog: 0 - +10 V (R_i > 72 kΩ) 0/4 - 20 mA (R_B = 500 Ω) Can be switched with parameter P-16 1 - 10 kΩ 	Fixed frequency FF1
5 +10 V	Reference voltage, Output (+10 V)	Maximum load: 10 mA Reference potential: 0 V	–
6 AI1 DI4	Analog Input 1 Digital Input 4	<ul style="list-style-type: none"> Analog: 0 - +10 V (R_i > 72 kΩ) 0/4 - 20 mA (R_B = 500 Ω) Can be switched with parameter P-16 1 - 10 kΩ digital: +8 - +30 V (high) 	Frequency Reference (fixed frequency)
7 0 V	Reference potential	0 V = connection terminal 9	–
8 AO1 DO1	Analog output 1 Digital output 1	<ul style="list-style-type: none"> Analog: 0 - +10 V, maximum 20 mA Can be switched with parameter P-25 digital: 0 - +24 V 	Output Frequency
9 0 V	Reference potential	0 V = connection terminal 7	–
10 K13	Relay 1, N/O	Maximum switching load: 250 V AC/6 A or 30 V DC/5 A	RUN
11 K14	Relay 1, N/O	Maximum switching load: 250 V AC/6 A or 30 V DC/5 A	RUN



The control terminals' functions and electrical parameters can be changed with

- Parameter,
- Expansion modules DXC-EXT-...
(→ Section 7.1.2, "DXC-EXT-2RO output expansion", page 176 and → Section 7.1.3, "DXC-EXT-2RO1AO output expansion", page 178).

3.6.2.3 Connection example

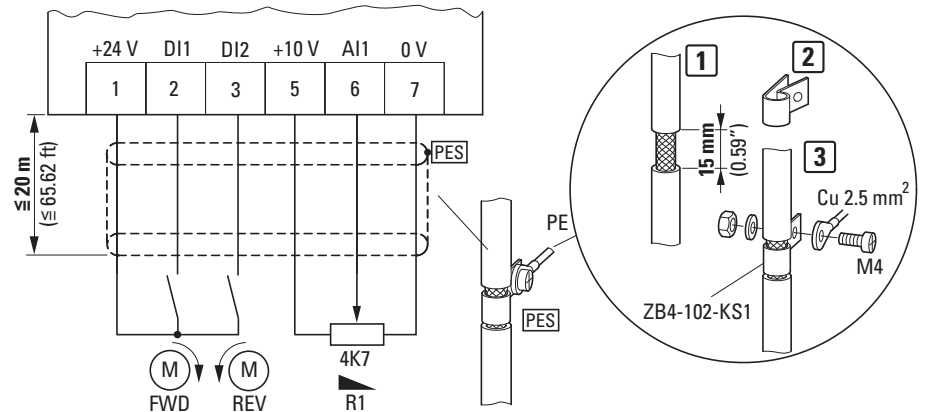


Figure 52: Simple connection example

- Two operating directions:
 - FWD = clockwise rotating field
 - REV = anticlockwise rotating field
- R1: External reference value potentiometer, frequency reference value 0 - f_{max} (P-01)

The control cables should be screened and twisted for the external connection. The screening is applied on one side in the proximity of the variable frequency drive (PES).

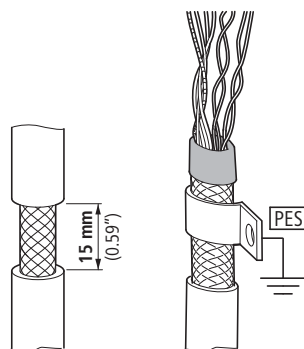


Figure 53: Screen termination at one end (PES) close to the variable frequency drive

3 Installation

3.6 Electrical Installation

Alternatively, in addition to the broad area gland plate, you can twist the screen braid at the end and connect to the protective earth with a cable lug. To prevent EMC disturbance, this twisted shielding connection should be made as short as possible

Prevent the screen from becoming unbraided at the other end of the control cable, e.g. by using a rubber grommet. The screen braid must not make any connection with the protective ground here because this would cause problems with an interference loop.

Control signal terminals

The DC1 variable frequency drive has four control inputs (control terminals 2, 3, 4, and 6). Two of these are parameterizable as digital control inputs; while the others can be set to work as digital or analog control inputs.

The variable frequency drive comes with the following default setting:

- Control signal terminal 2 as digital input 1 (DI1),
- Control signal terminal 3 as digital input 2 (DI2),
- Control signal terminal 4 as digital input 3 (DI3),
- Control signal terminal 6 as analog input 1 (AI1).

Control signal terminal 8 can be used as a digital or as an analog output. It is used as an analog output (AO) in the default configuration that comes with the variable frequency drive when it is delivered.

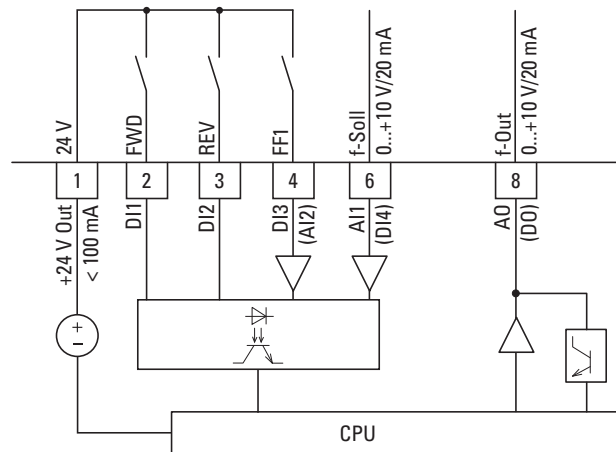


Figure 54: Control signal terminals (D = digital/A = analog)

3.6.2.4 Digital Input Signals

Control terminals 2, 3, 4, and 6 all have the same function and mode of operation as digital inputs (DI1 to DI4).

A logic level of +24 V (positive logic) is used:

- 8 - 30 V = High (logic "1")
- 0 - 4 V = Low (logic "0")

The internal control voltage from control signal terminal 1 (+24 V, maximum 100 mA) or an external voltage source (+24 V) can be used for this.

The permissible residual ripple must be less than $\pm 5\% \Delta U_a / U_a$.



If you use an external voltage source, make sure to connect the 0-V potentials of the external voltage source to the 0-V potentials of the variable frequency drive.



Control terminals 7 and 9 are the common 0 V reference potential for all analog and digital input signals.

Optional modules DXC-EXT-IO110 and DXC-EXT-IO230 can be used to optically isolate the digital inputs (DI1 to DI4) and integrate them directly into control circuits with 110 V / 230 V. Values of 80 to 110/230 V AC will be recognized as a high signal, → Section 7.1.1, "DXC-EXT-IO... coupling module", page 174.

3 Installation

3.6 Electrical Installation

3.6.2.5 Digital Output (Transistor)

When using the device's default configuration, control signal terminal 8 will be configured as an analog output (AO).

It can be set to work as a digital output instead (DO) with parameter P-25:

Table 12: Control signal terminal 8 (DO)

P-25	Signal 1 = High (+24 V)	Description
0	RUN	Enable (FWD/REV)
1	Ready	Ready for operation. No fault signal
2	Actual value = Setpoint value	The output frequency (f-Out) or speed is equal to the setpoint value (REF).
3	Error (Fault)	Fault (not ready).
4	f-Out ≥ P-19	The output frequency (f-Out) is greater than or equal to the value set in P-19 (R01 upper limit).
5	I-Out ≥ P-19	The output current (I-Out) is greater than or equal to the value set in P-19 (R01 upper limit).
6	f-Out < P-19	The output frequency (f-Out) is less than the value set in P-19 (R01 upper limit).
7	I-Out < P-19	The output current (I-Out) is less than the value set in P-19 (R01 upper limit).
10	Not Enable	No enable signal (FWD/REV)
11	Actual value ≠ Setpoint value	The output frequency (f-Out) / speed is not equal to the setpoint value (REF).

Digital output DO: Accuracy ≥ 1% relative to maximum value

Transistor output DO uses control signal terminal 8 to switch the device's internal control voltage (+24 V) as a digital signal (1 = High). The maximum permissible load current is 20 mA.

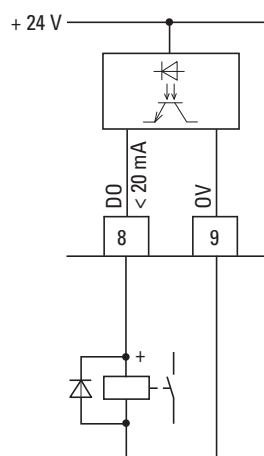


Figure 55: Connecting example (interposing relay with free-wheel diode ETS4-VS3)



Control terminals 7 and 9 are the common 0 V reference potential for all analog and digital input signals.

3.6.2.6 Analog input signals

Depending on how parameters P-12 and P-15 are set, control terminals 4 (AI2) and 6 (AI1) can be connected to analog signals.

Table 13: Control signal terminal 6 (AI1)

P-16	Signal	Description
0	0 - +10 V	Frequency reference value / Speed reference value. Manipulated variable range from minimum (P-02) to maximum (P-01) value. Default settings.
1	-10 - 0 - +10 V	Frequency reference value/speed reference value with operating direction change based on the setpoint polarity
2	0 - 20 mA	Current signal
3	4 - 20 mA	Current signal with open-circuit monitoring (< 3 mA) → Shutdown with fault message.
4	4 - 20 mA	Current signal with open-circuit monitoring (< 3 mA) → No shutdown if a fault is detected Operation will continue with fixed frequency/fixed speed 1 (P-20)
5	20 - 4 mA	Inverted current signal with open-circuit monitoring (< 3 mA) → Shutdown with fault message
6	20 - 4 mA	Inverted current signal with open-circuit monitoring (< 3 mA) → No shutdown if a fault is detected Operation will continue with fixed frequency/fixed speed 1 (P-20)
7	+10 - 0 V	Inverted voltage signal

Analog input AI1: Resolution: 12-bit, response time: < 16 ms

Table 14: Control signal terminal 4 (AI2)

P-47	Signal	Description
0	0 - +10 V	Voltage signal
1	0 - 20 mA	Current signal
2	4 - 20 mA	Current signal with open-circuit monitoring (< 3 mA) → Shutdown with fault message.
3	4 - 20 mA	Current signal with open-circuit monitoring (< 3 mA) → No shutdown if a fault is detected Operation will continue with fixed frequency/fixed speed 1 (P-20)
4	20 - 4 mA	Inverted current signal with open-circuit monitoring (< 3 mA) → Shutdown with fault message
5	20 - 4 mA	Inverted current signal with open-circuit monitoring (< 3 mA) → No shutdown if a fault is detected Operation will continue with fixed frequency/fixed speed 1 (P-20)
6	Ptc-th	Thermistor connection (→ Section 3.6.3, "Thermistor connection", page 100)

Analog input AI2: Resolution: 12-bit, response time: < 16 ms

The way control terminal 4 works (DI3 AI2) can be changed with P-15 = 4 and P-12 = 6.



Control terminals 7 and 9 are the common 0 V reference potential for all analog and digital input signals.

3.6.2.7 Analog output signal

When the device is used with its default settings, there will be an analog voltage signal (0 - 10 V) available at control signal terminal 8. This value will correspond to 0 to 100% of P-01 (maximum frequency / speed). The output can handle a maximum load of 20 mA.

Parameter P-25 is used to configure whether this output signal will be provided at the terminal:

Table 15: Control signal terminal 8 (AO)

P-25	Signal (0 - +10 V)	Description
8	f-Out	Output frequency (f-Out) / speed 0 - 100 % of P-01 Resolution: 0.1 Hz
9	I-Out	Output current (I-Out) / motor current 0 - 100 % of P-08 Resolution: 0.1 A
12	P-Out	Output power (P-Out) 0 - 200% relative to the DC1's rated motor output

Analog output AO: Accuracy $\geq 1\%$ relative to maximum value; resolution: 10-bit

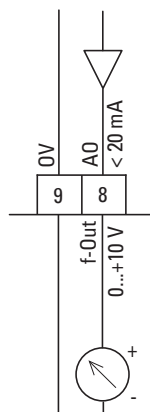


Figure 56: Analog output (AO)
(connecting example)



Control terminals 7 and 9 are the common 0 V reference potential for all analog and digital input signals.

3.6.2.8 Relay contact

Control signal terminals 10 and 11 are connected to the DC1 variable frequency drive's internal relay contact (N/O) in a potential-free manner.

The relay function can be configured with parameter P-18:

Table 16: Control signal terminals 10 and 11 (RO1)

P-18	Contact closed	Description
0	RUN	Enable (FWD/REV) Default Setting
1	Ready	Ready for operation. No fault signal
2	Actual value = Setpoint value	The output frequency (f-Out) / speed is equal to the setpoint value (REF).
3	Error (Fault)	Fault (not ready)
4	$f\text{-Out} \geq P\text{-19}$	The output frequency (f-Out) is greater than or equal to the value set in P-19 (RO1 upper limit).
5	$I\text{-Out} \geq P\text{-19}$	The output current (I-Out) is greater than or equal to the value set in P-19 (RO1 upper limit).
6	$f\text{-Out} < P\text{-19}$	The output frequency (f-Out) is less than the value set in P-19 (RO1 upper limit).
7	$I\text{-Out} < P\text{-19}$	The output current (I-Out) is less than the value set in P-19 (RO1 upper limit).
8	Not Enable	No enable signal (FWD/REV)
9	Actual value \neq Setpoint value	The output frequency (f-Out) / speed is not equal to the setpoint value (REF).
10	$AI2 > P\text{-19}$	The analog signal at control signal terminal 4 (AI2) is greater than the value set in P-19 (RO1 upper limit).
11	Ready-to-RUN	Ready for operation. The enable signal (ENA) is present and there is no fault signal present.

Parameter P-19 (RO1 upper limit) contains the limit used in P-18 (4, 5, 6, 7, 10) for relay RO1 (control signal terminal 10/11) or in P-25 (4, 5, 6, 7) for digital output DO (control signal terminal 8).

The electrical connection specifications for control terminals 10 and 11 are:

- 250 V AC, max. 6 A
- 30 V DC, max. 5 A

We recommend connecting the loads connected to the relay contact as follows:

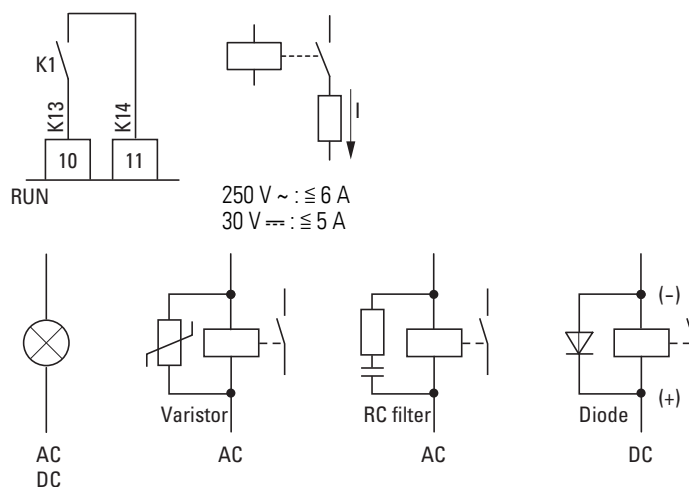


Figure 57: Connection examples with suppressor circuit

3 Installation

3.6 Electrical Installation

3.6.2.9 RJ 45 interface

The RJ45 port located in the front (IP20) or under the connection terminal cover (IP66) can be used to directly connect the device to communication modules and fieldbus connections.

The internal RS-485 connection transmits Modbus RTU and CANopen data.

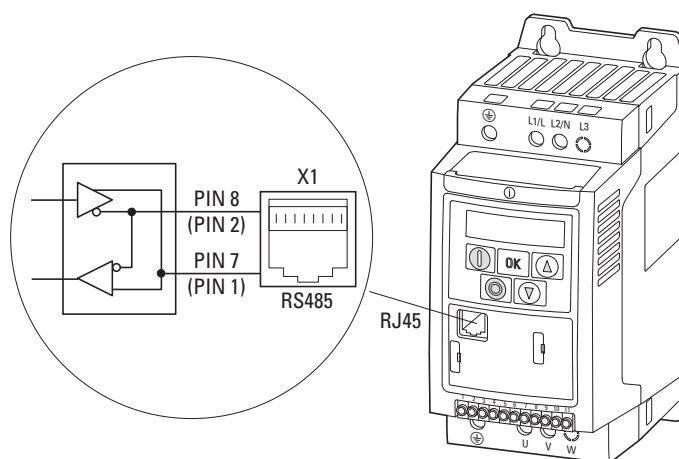


Figure 58: RJ 45 interface

Table 17: Configuration of the RJ45 interface

Pin	Meaning
1	CANopen -
2	CANopen +
3	0 V
4	OP-Bus -
5	OP-Bus +
6	+24V
7	Modbus RTU (A), RS485-
8	Modbus RTU (B), RS485+



The way the RJ45 interface works is described in the following manuals:

- MN040018: "Modbus RTU – Communication manual for DA1, DC1, DE1 variable frequency drives"
- MN040019: "CANopen – Communication manual for DA1, DC1, DE11 variable frequency drives"
- MN04012009: "PowerXL™ – DX-NET-SWD Interface card SmartWire-DT for Variable Frequency Drives DC1"



DC1 variable frequency drives do not have an internal bus termination resistor.
Use EASY-NT-R if necessary.

3.6.2.10 Control signal terminals IP66

In the case of DC1 variable frequency drives with an IP66 degree of protection, the plug-in control signal terminals are located under the terminal cover. In version DC1-...A6SN, the local controls will already be connected.

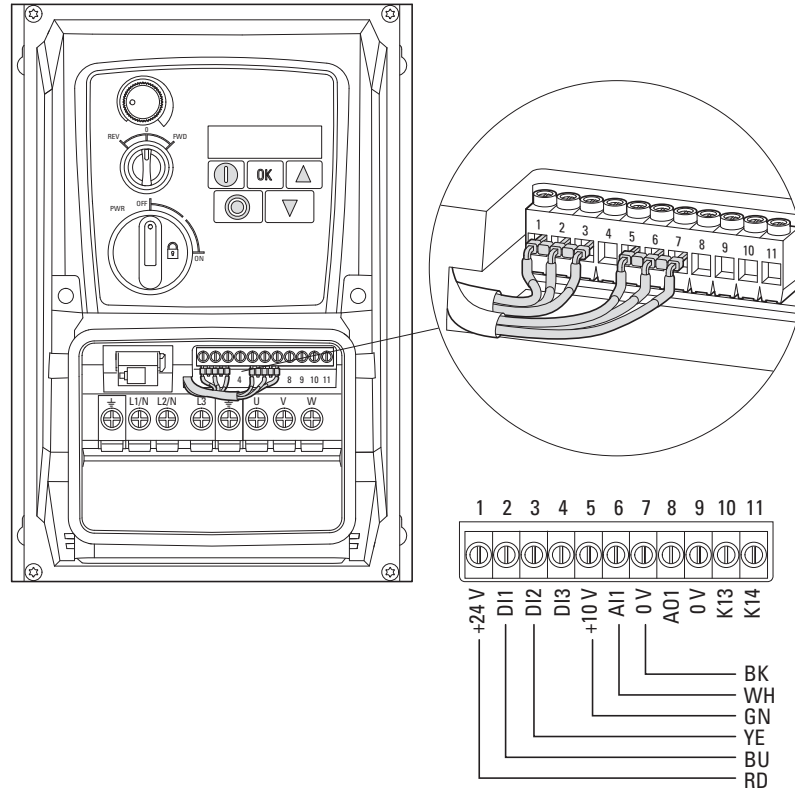


Figure 59: DC1-...A6S... (connection wired at the factory)

When supplied, the control signal terminals will be connected as follows:

Table 18: Configuration of the control signal terminals

Terminal	Color	Function
1	RD (red)	+24 V to FWD/REV selector switch
2	BU (blue)	From selector switch = FWD
3	YE (yellow)	From selector switch = REV
5	GN (green)	+10 V to potentiometer
6	WH (white)	From potentiometer = f-Set
7	BK (black)	0 V to potentiometer

When the device is set to its default settings, the setpoint value can be set using the potentiometer. Meanwhile, the REV – 0 – FWD selector switch can be used to set the drive's operating direction (counterclockwise rotating field mode – STOP – clockwise rotating field mode).

3 Installation

3.6 Electrical Installation

3.6.3 Thermistor connection

Motor thermistors and motor thermal switches (Thermoclick) can be connected to control signal terminal 4 (DI3 = digital input 3) in order to provide protection against thermal motor overloads.

In this case, parameter P-15 must be used to select the EXTFLT (external fault) setting for DI3, and parameter P-47 must be set to a value of 6 (PEŁ - Łh).

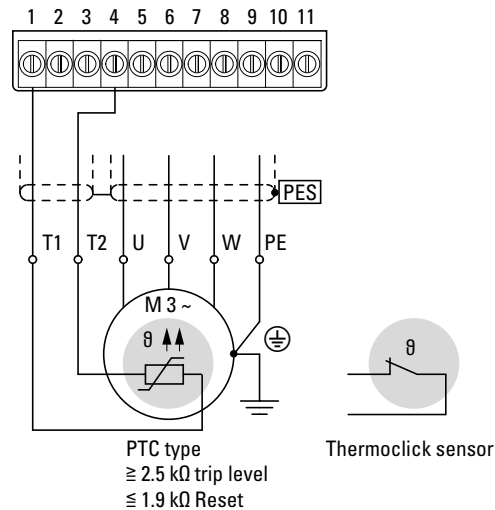


Figure 60: Thermistor connection

The thermistors and thermal switches used must be PTC-type units (PTC characteristic, positive temperature coefficient).

The tripping range must fall within a resistance value range of approximately 2.5 - 3 kΩ, while the reset range must fall within a range of 1.9 - 1 kΩ.

3.7 Block diagrams

The following block diagrams show all the connection terminals on a DC1 variable frequency drive and their functions when in their default settings.

3 Installation

3.7 Block diagrams

3.7.1 DC1-1D...

Mains voltage U_{LN} : single-phase, 110 (-10 %) - 115 (+10 %) V, 50/60 Hz

Motor Voltage U_2 : 3-phase, $U_2 = 2 \times U_{LN}$ (voltage doubling),

0 - 50/60 Hz (max. 500 Hz)

Size: FS1 and FS2 with IP20 degree of protection

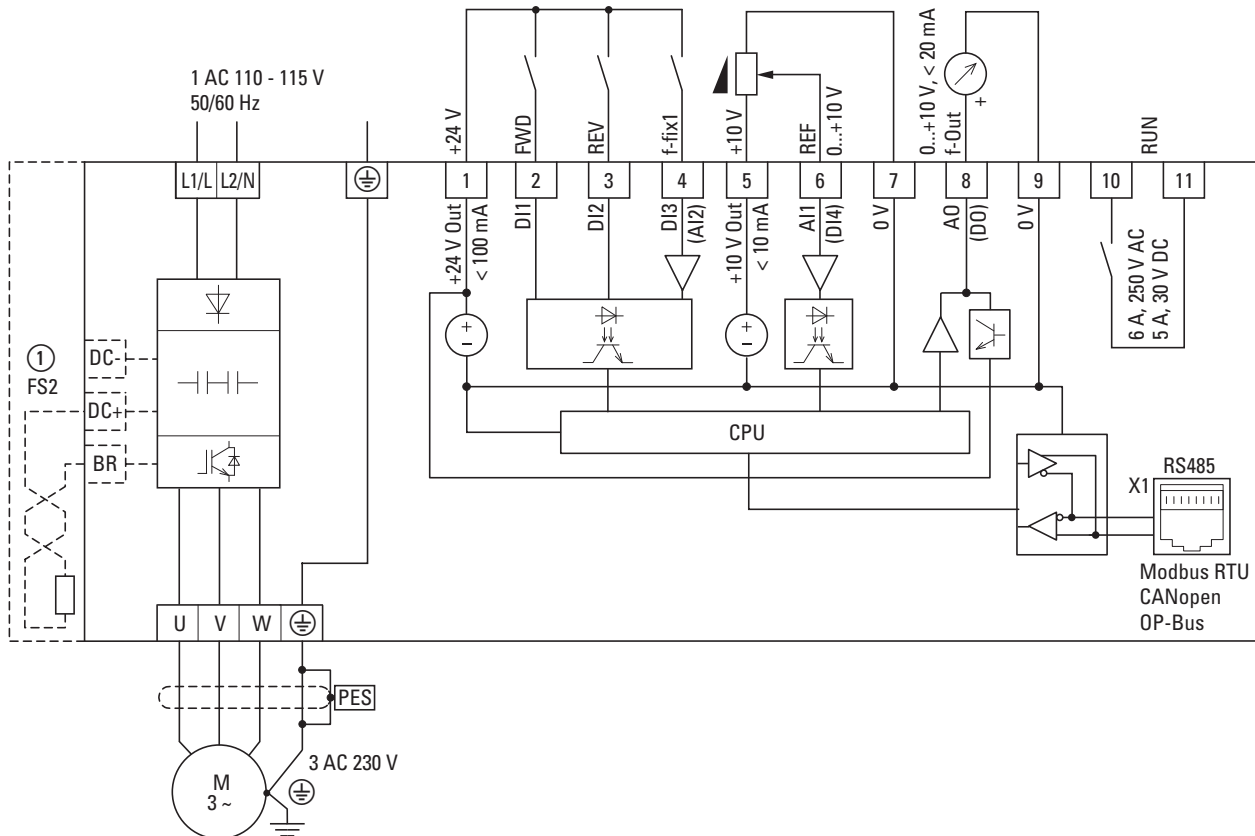


Figure 61: Block diagram DC1-1D...Nx...

DC1-1D... variable frequency drives feature a voltage doubler in their internal DC link. When there is a connected voltage of 1 AC 110 - 115 V, a motor voltage of up to 3 AC 230 V will be output.

- ① Devices with a frame size of FS2 allow for DC link coupling (DC+, DC-) and connecting brake resistors (DC+, BR).

Brake resistor DX-BR3-100 can be inserted underneath the heat sink into the enclosure and electronically protected against overloads (P-34 = 1).



DC1-1D... variable frequency drives do not feature an internal radio interference suppression filter. An external radio interference suppression filter is required for operation as per EN 61800-3, → Section 6.8, "Radio interference suppression filter", page 161.

3.7.2 DC1-12...

Mains voltage U_{LN} : single-phase, 200 (-10 %) - 240 (+10 %) V, 50/60 Hz

Motor voltage U_2 : 3-phase, $U_2 = U_{LN}$, 0 - 50/60 Hz (max. 500 Hz)

Size: FS1, FS2 and FS3 with IP20 degree of protection

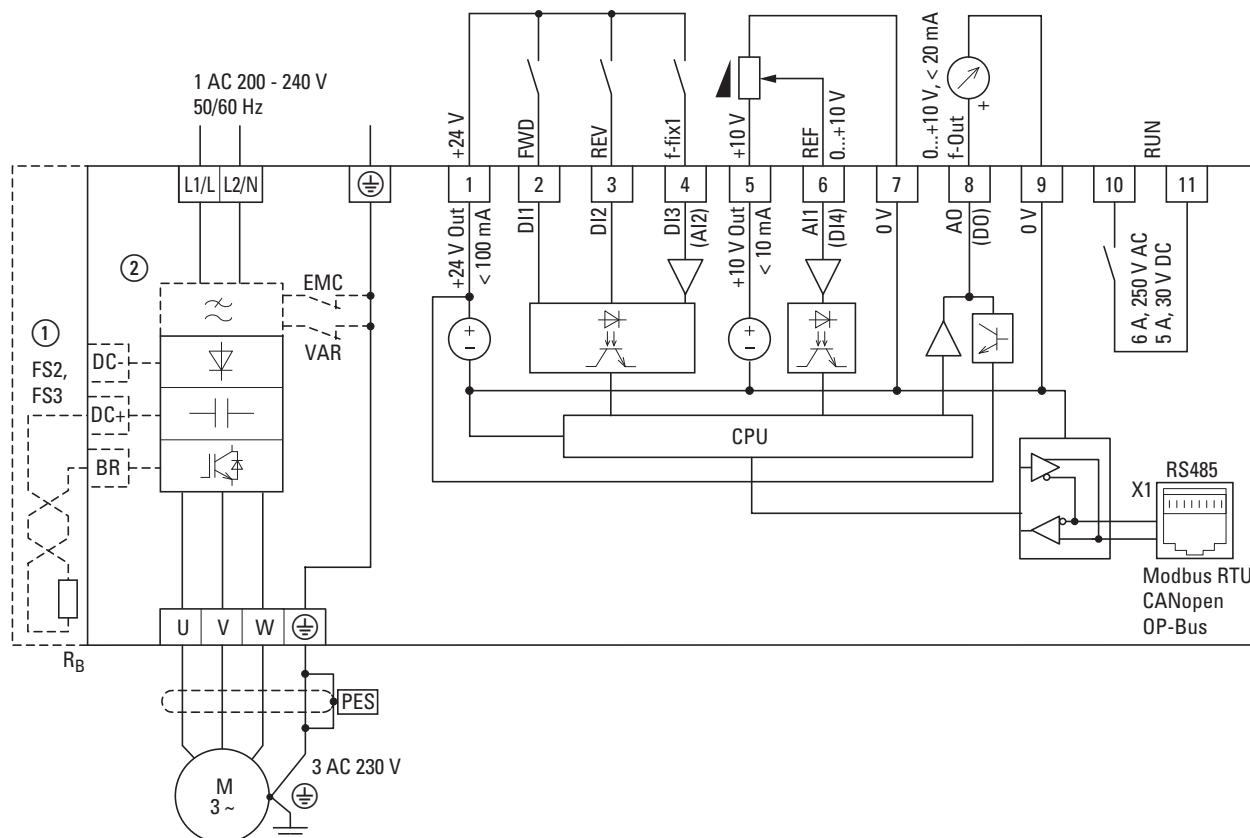


Figure 62: Block diagram DC1-12...

Variable frequency drive with single-phase supply system voltage and three-phase motor connection

- ① Devices with a frame size of FS2 or FS3 allow for DC link coupling (DC+, DC-) and connecting brake resistors (DC+, BR).

Brake resistor DX-BR3-100 can be inserted underneath the heat sink into the enclosure and electronically protected against overloads (P-34 = 1).

- ② DC1-12xxx**N**...: without radio interference suppression filter
DC1-12xxx**F**...: with built-in radio interference suppression filter

3 Installation

3.7 Block diagrams

3.7.3 DC1-32..., DC1-34... (in FS1, FS2, FS3)

Mains voltage U_{LN} :

DC1-32...: 3-phase, 200 (-10 %) - 240 (+10 %) V, 50/60 Hz

DC1-34...: 3-phase, 380 (-10 %) - 480 (+10 %) V, 50/60 Hz

Motor voltage U_2 : 3-phase, $U_2 = U_{LN}$, 0 - 50/60 Hz (max. 500 Hz)

Size: FS1, FS2 and FS3 with IP20 degree of protection

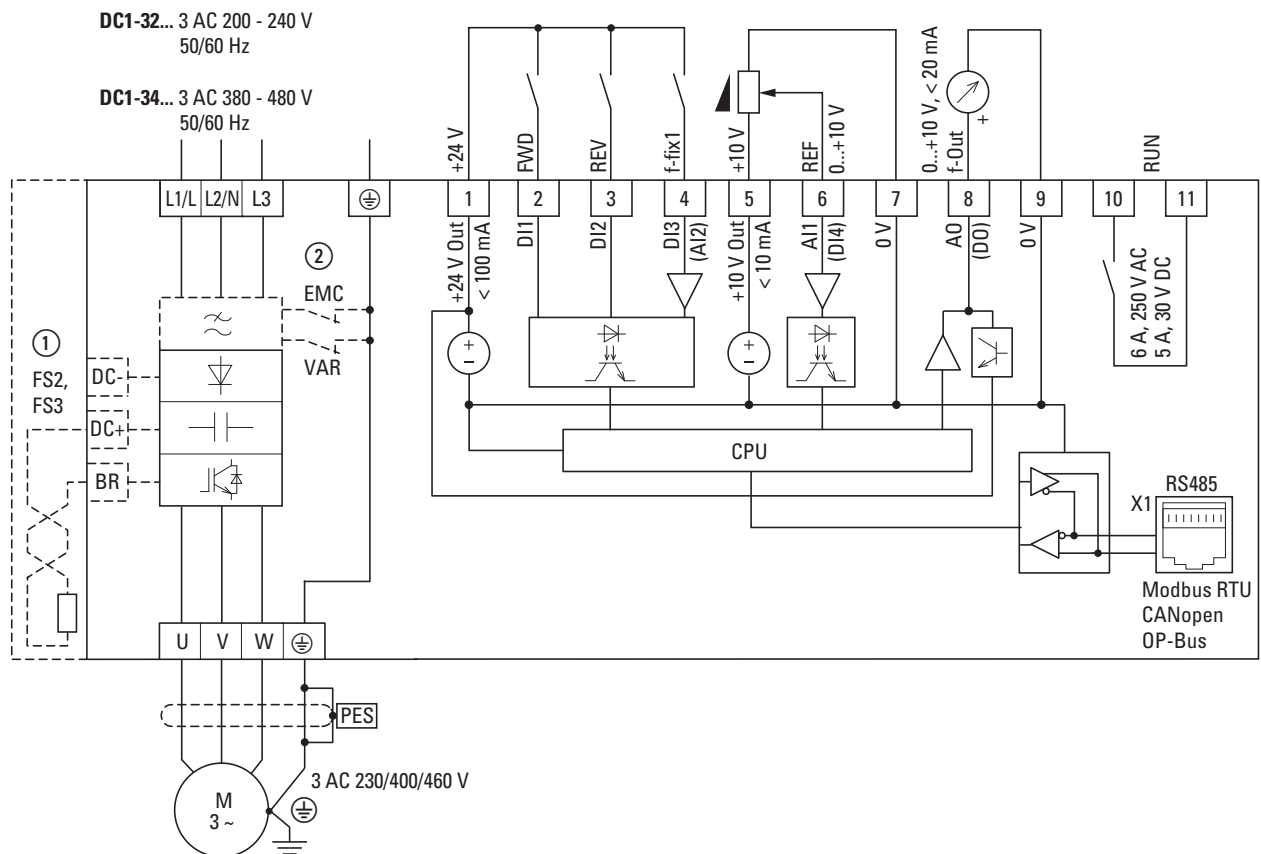


Figure 63: Block diagram DC1-32... and DC1-34... in frame sizes FS1, FS2 and FS3

Variable frequency drive with three-phase mains supply voltage and three-phase motor connection

- ① Devices with a frame size of FS2 or FS3 allow for DC link coupling (DC+, DC-) and connecting brake resistors (DC+, BR).

Brake resistor DX-BR3-100 can be inserted underneath the heat sink into the enclosure and electronically protected against overloads (P-34 = 1).

- ② DC1-32xxxN..., DC1-34xxxN...: without radio interference suppression filter
DC1-32xxxF..., DC1-34xxxF...: with built-in radio interference suppression filter

3.7.4 DC1-32..., DC1-34... (in FS4)

Mains voltage U_{LN} :

DC1-32...: 3-phase, 200 (-10 %) - 240 (+10 %) V, 50/60 Hz

DC1-34...: 3-phase, 380 (-10 %) - 480 (+10 %) V, 50/60 Hz

Motor voltage U_2 : 3-phase, $U_2 = U_{LN}$, 0 - 50/60 Hz (max. 500 Hz)

Size: FS4 with IP20 degree of protection

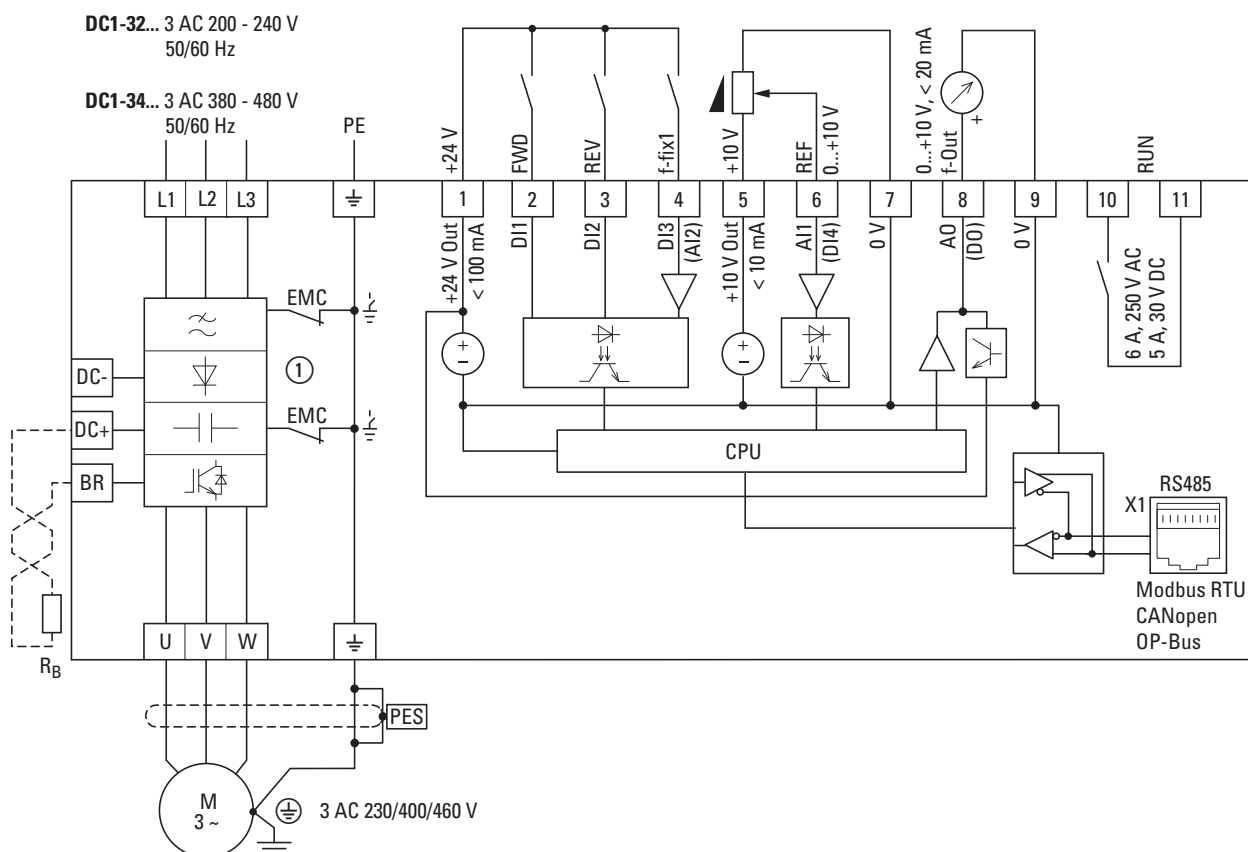


Figure 64: Block diagram DC1-32... and DC1-34... in frame size FS4

Variable frequency drive with three-phase mains supply voltage and three-phase motor connection

- ① The two EMC screws connect the mains-side capacitors in the internal radio interference suppression filter and the Y class capacitors to the earthing (PE).

3 Installation

3.7 Block diagrams

3.7.5 DC1-1D...Nx-A6S...

Mains voltage U_{LN} : single-phase, 110 (-10 %) - 115 (+10 %) V, 50/60 Hz

Motor Voltage U_2 : 3-phase, $U_2 = 2 \times U_{LN}$ (voltage doubling),

0 - 50/60 Hz (max. 500 Hz)

Size: FS1 and FS2 with IP66 degree of protection

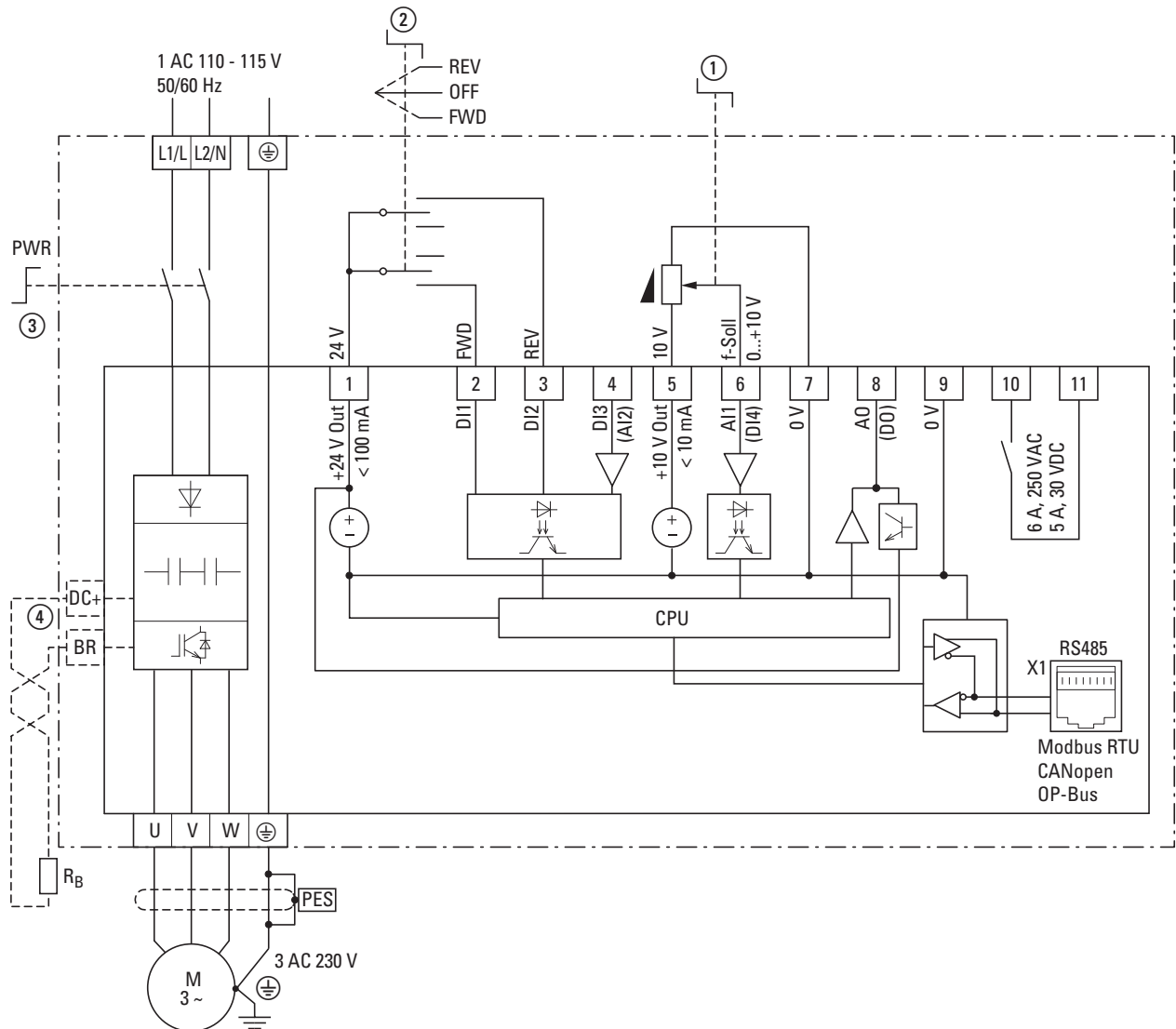


Figure 65: Block diagram DC1-1D...Nx-A6S...

DC1-1D...Nx-A6S... variable frequency drives with an IP66 degree of protection and local controls feature a voltage doubler in their internal DC link.

When there is a power supply of 1 AC 110 - 115 V, a motor voltage of up to 3 AC 230 V will be output.

- ① Reference value potentiometer (0 - f_{\max})
- ② Operating direction selector switch
(FWD = Clockwise rotating field, REV = Counterclockwise rotating field)
- ③ Mains transfer switch (PWR = Power)
- ④ External brake resistors can be connected to devices with a frame size of FS2 or bigger.



DC1-1D variable frequency drives do not have an internal radio interference suppression filter.

An external radio interference suppression filter is required for operation as per EN 61800-3, → Section 6.8, "Radio interference suppression filter", page 161.

An external radio interference suppression filter should be installed in the immediate proximity of the variable frequency drive. In order to have an IP66 degree of protection, DX-EMC... radio interference suppression filters must be installed inside an enclosure (IP66). In this case, the connection to the variable frequency drive will require a screened cable with a screen braid that is terminated at both ends to the protective earth (PES) across a large area.

3 Installation

3.7 Block diagrams

3.7.6 DC1-1D...Nx-A66...

Mains voltage U_{LN} : single-phase, 110 (-10 %) - 115 (+10 %) V, 50/60 Hz

Motor Voltage U_2 : 3-phase, $U_2 = 2 \times U_{LN}$ (voltage doubling),

0 - 50/60 Hz (max. 500 Hz)

Size: FS1 and FS2 with IP66 degree of protection

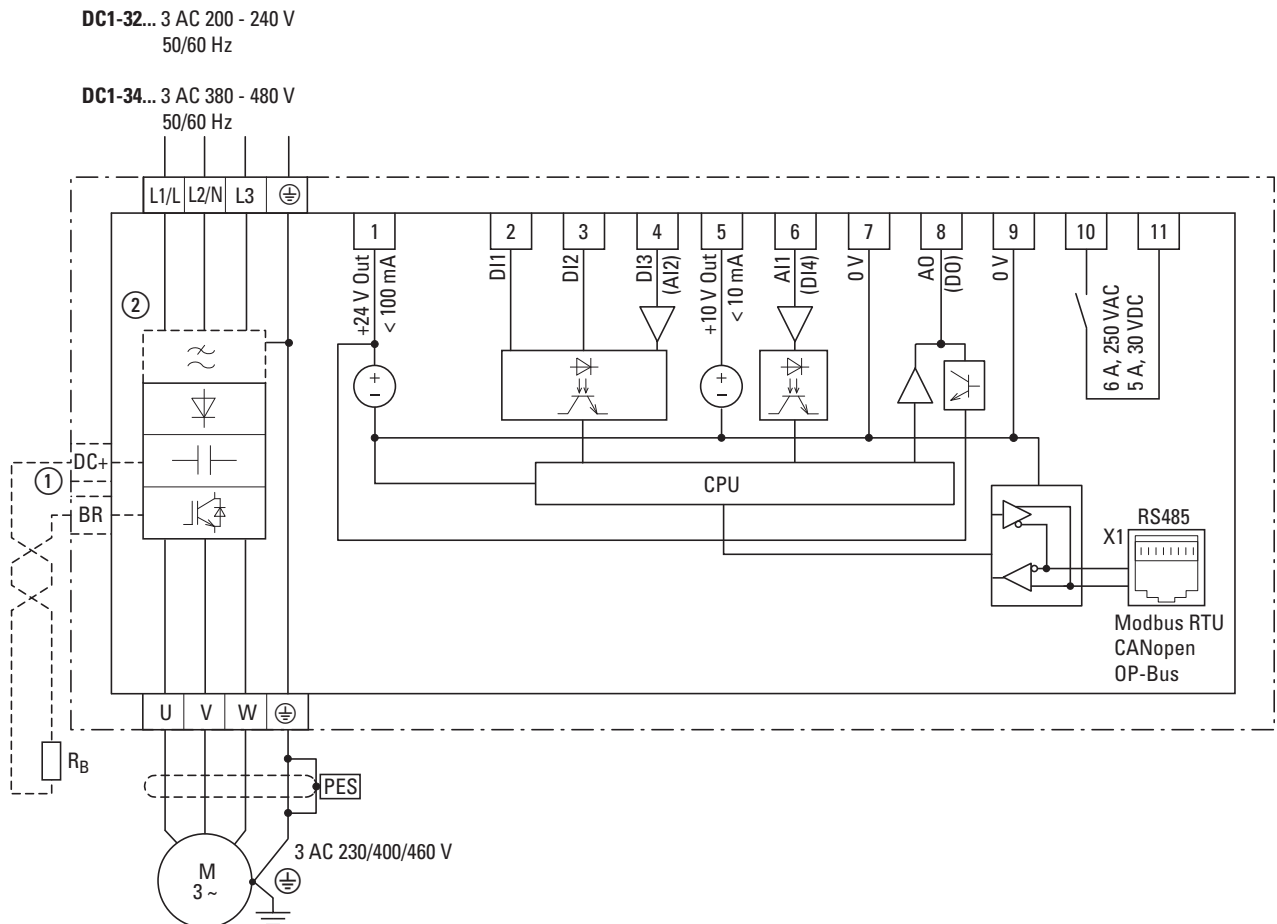


Figure 66: Block diagram DC1-1D...Nx-A66...

When there is a power supply of 1 AC 110 - 115 V, a motor voltage of up to 3 AC 230 V will be output.

External braking resistances can be connected to devices with a size of FS2 or bigger.

- ① Frame size FS2 with connection for external brake resistor
- ② DC1-12xxxN...: without radio interference suppression filter
DC1-12xxxF...: with built-in radio interference suppression filter



DC1-1D variable frequency drives do not have an internal radio interference suppression filter. An external radio interference suppression filter is required for operation as per EN 61800-3, → Section 6.8, "Radio interference suppression filter", page 161.

3.7.7 DC1-12...-A6S...

Mains voltage U_{LN} : single-phase, 200 (-10 %) - 240 (+10 %) V, 50/60 Hz

Motor voltage U_2 : 3-phase, $U_2 = U_{LN}$, 0 - 50/60 Hz (max. 500 Hz)

Size: FS1, FS2 and FS3 with IP66 degree of protection

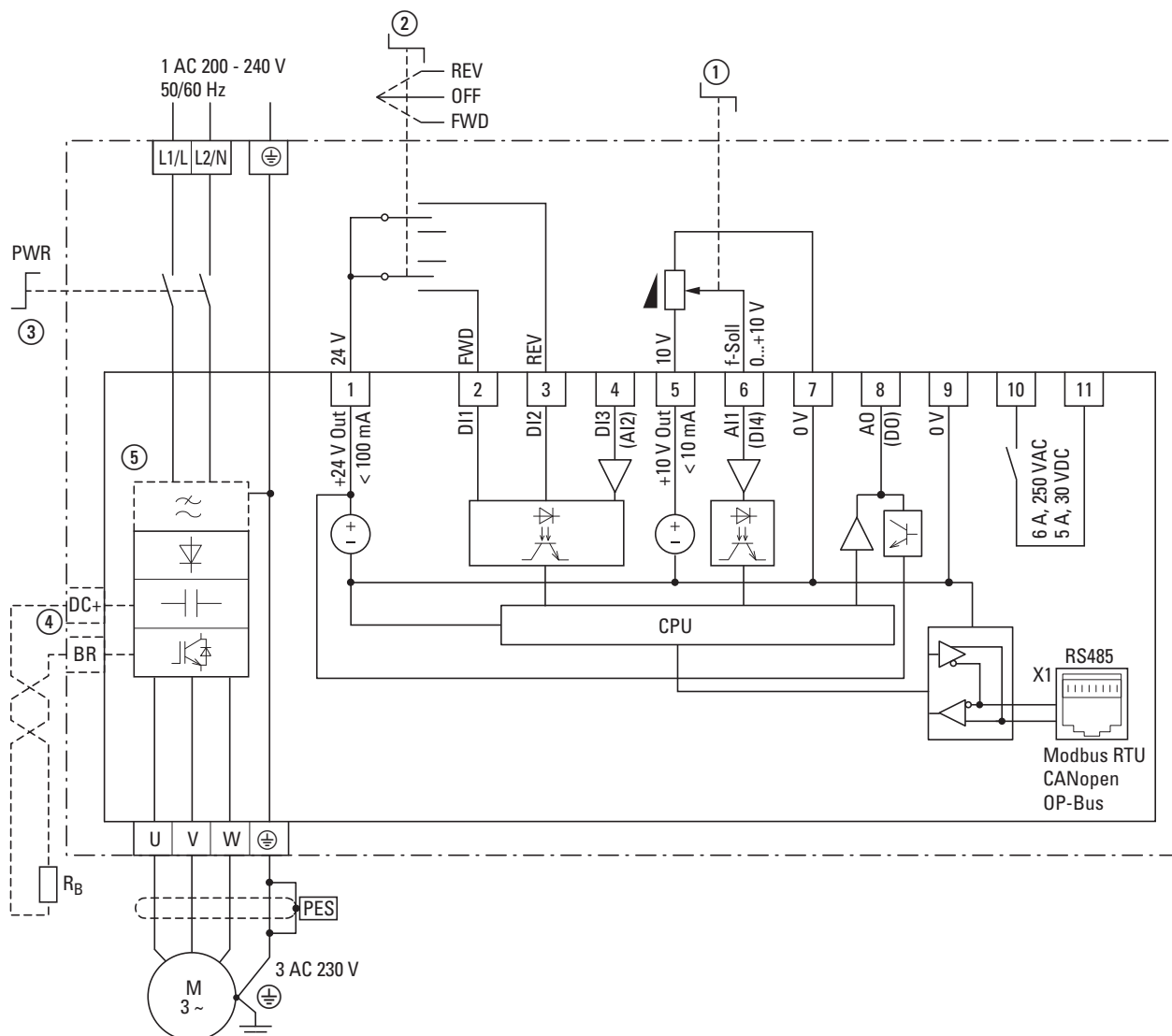


Figure 67: Block diagram DC1-12...-A6S...

Variable frequency drive with IP66 degree of protection, local controls, single-phase mains supply voltage, and three-phase motor connection

- ① Reference value potentiometer (0 - f_{max})
- ② Operating direction selector switch
(FWD = Clockwise rotating field, REV = Counterclockwise rotating field)
- ③ Mains transfer switch (PWR = Power)
- ④ Frame sizes FS2 and FS3 with connection for external brake resistors
- ⑤ DC1-12xxxN...: without radio interference suppression filter
DC1-12xxxF...: with built-in radio interference suppression filter

3 Installation

3.7 Block diagrams

3.7.8 DC1-12...-A66...

Mains voltage U_{LN} : single-phase, 200 (-10 %) - 240 (+10 %) V, 50/60 Hz

Motor voltage U_2 : 3-phase, $U_2 = U_{LN}$, 0 - 50/60 Hz (max. 500 Hz)

Size: FS1, FS2 and FS3 with IP66 degree of protection

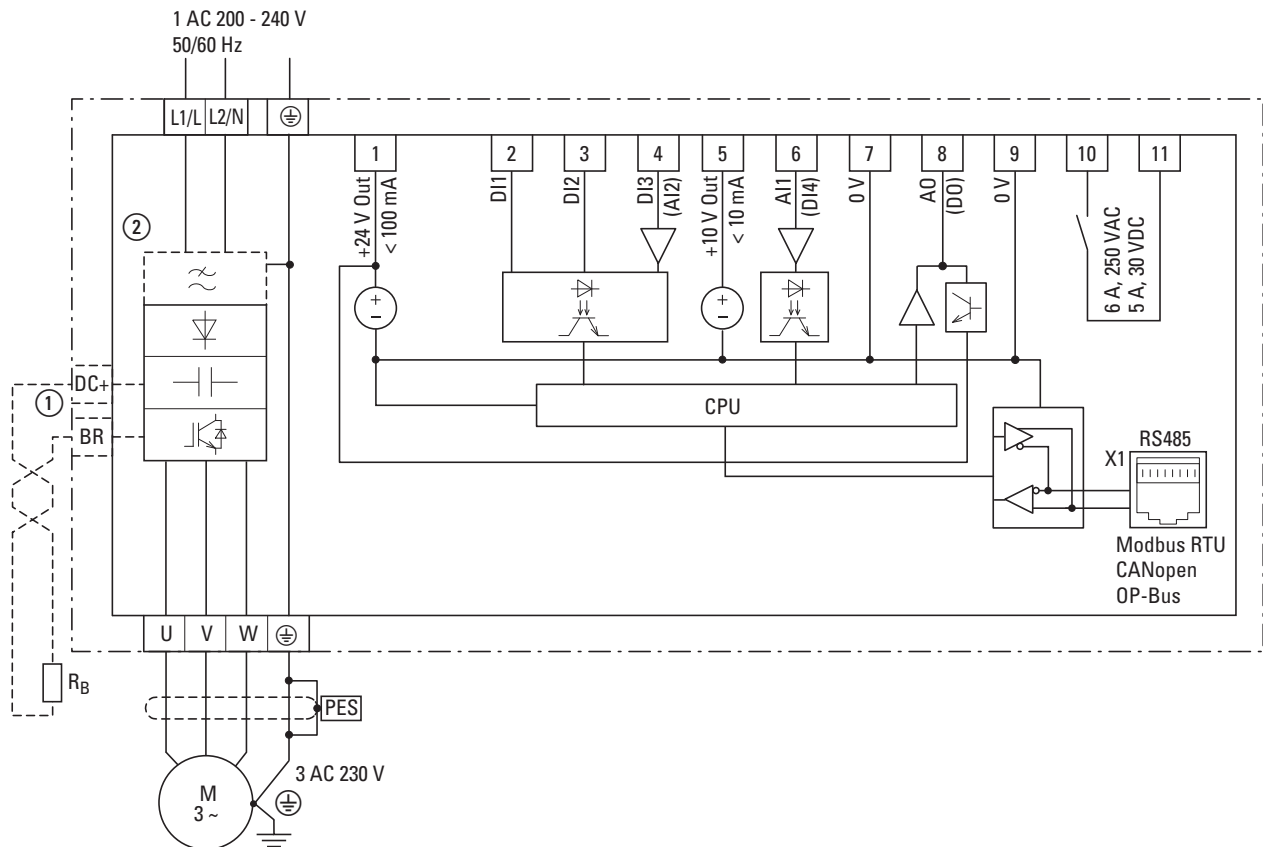


Figure 68: Block diagram DC1-12...-A66...

Variable frequency drive with IP66 degree of protection, local controls, single-phase mains supply voltage, and three-phase motor connection

- ① Frame sizes FS2 and FS3 with connection for external brake resistors
- ② DC1-12xxx**N**...: without radio interference suppression filter
DC1-12xxx**F**...: with built-in radio interference suppression filter

3.7.9 DC1-32...-A6S..., DC1-34...-A6S...

Mains voltage U_{LN} :

DC1-32...: 3-phase, 200 (-10 %) - 240 (+10 %) V, 50/60 Hz

DC1-34...: 3-phase, 380 (-10 %) - 480 (+10 %) V, 50/60 Hz

Motor voltage U_2 : 3-phase, $U_2 = U_{LN}$, 0 - 50/60 Hz (max. 500 Hz)

Size: FS1, FS2 and FS3 with IP66 degree of protection

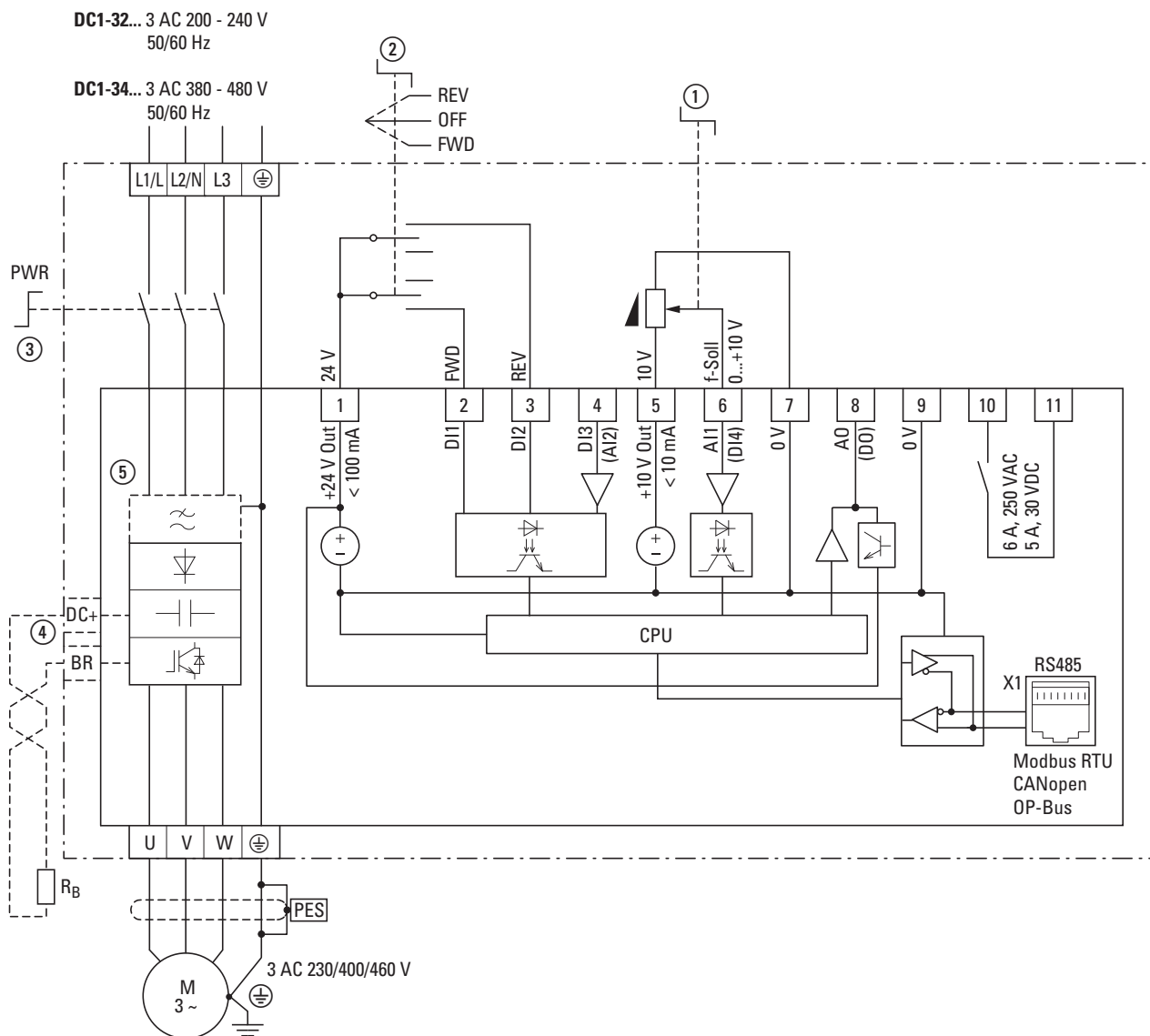


Figure 69: Block diagram DC1-32...-A6S..., DC1-34...-A6S...

Variable frequency drive with IP66 degree of protection, local controls, three-phase mains supply voltage, and three-phase motor connection

3 Installation

3.7 Block diagrams

- ① Reference value potentiometer (0 - f_{\max})
- ② Operating direction (FWD = Clockwise rotating field,
REV = Counterclockwise rotating field)
- ③ Mains transfer switch (PWR = Power)
- ④ Frame sizes FS2 and FS3 with connection for external brake resistors
- ⑤ DC1-12xxx**N**...: without radio interference suppression filter
DC1-12xxx**F**...: with built-in radio interference suppression filter

3.7.10 DC1-32...-A66..., DC1-34...-A66...

Mains voltage U_{LN} :

DC1-32...: 3-phase, 200 (-10 %) - 240 (+10 %) V, 50/60 Hz

DC1-34...: 3-phase, 380 (-10 %) - 480 (+10 %) V, 50/60 Hz

Motor voltage U_2 : 3-phase, $U_2 = U_{LN}$, 0 - 50/60 Hz (max. 500 Hz)

Size: FS4 with IP20 degree of protection

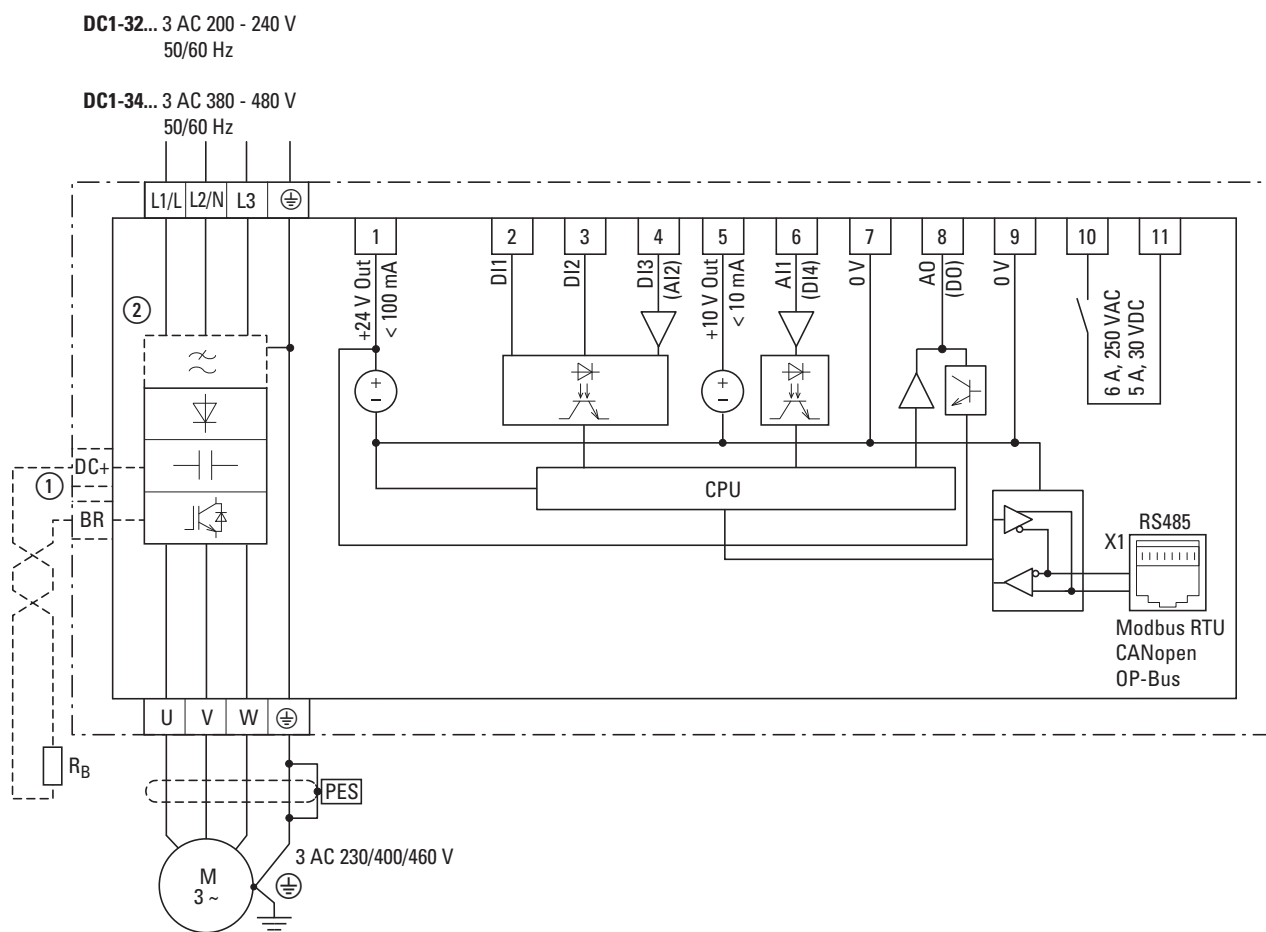


Figure 70: Block diagram DC1-32...-A66..., DC1-34...-A66...

- ① Frame sizes FS2 and FS3 with connection for external brake resistors
- ② DC1-32xxx**N**...: without radio interference suppression filter
DC1-32xxx**F**...: with built-in radio interference suppression filter

3 Installation

3.8 Insulation testing

3.8 Insulation testing

The variable frequency drive of the DC1 series are tested, delivered and require no additional testing.



CAUTION

On the control signal and the connection terminals of the variable frequency drive, no leakage resistance tests are to be performed with an insulation tester.



CAUTION

Wait at least 5 minutes after switching the supply voltage off before you disconnect one of the connection terminals (L1/L, L2/N, L3, DC-, DC+, BR) of the variable frequency drive.

If insulation testing is required in the power circuit of the PDS, you must consider the following measures.

Testing the motor cable insulation

- ▶ Disconnect the motor cable from the connection terminals U, V and W of the variable frequency drive and from the motor (U, V, W). Measure the insulation resistance of the motor cable between the individual phase conductors and between the phase conductor and the grounding conductor.

The insulation resistance must be greater than 1 MΩ.

Testing the mains cable insulation

- ▶ Disconnect the power cable from the mains supply network and from the connection terminals 1/L, L2/N and L3 of the variable frequency drive. Measure the insulation resistance of the mains cable between the individual phase conductors and between each phase conductor and the protective conductor.

The insulation resistance must be greater than 1 MΩ.

Testing the motor insulation

- ▶ Disconnect the motor cable from the motor (U, V, W) and open the bridge circuits (star or delta) in the motor terminal box. Measure the individual motor windings' insulation resistance. The measurement voltage must at least match the rated operating voltage of the motor but is not to exceed 1000 V.

The insulation resistance must be greater than 1 MΩ.



Consider the notes from the motor manufacturer in testing the insulation resistance.

3.9 Protection against electric shock

Ensuring protection against electric shock when using DA1 variable frequency drives, as per IEC/EN 61800-5-1

Manufacturer's declaration for the initial verification as per IEC/HD 60364-6 (DIN VDE 0100-600 (VDE 0100-600)) and for periodic testing as per EN 50110-1 (DIN VDE 0105-100 (VDE 0105-100))

Fault protection in accordance with IEC/HD 60364-4-41 (DIN VDE 0100-410 (VDE 0100-410)) for the output-side circuits of the aforementioned apparatus is guaranteed provided that the following requirements are met:

- The installation instructions in this documentation have been observed.
- The applicable standards in the IEC/HD 60364 (DIN VDE 0100 (VDE 0100)) series have been observed.
- The continuity of all associated protective conductors and equipotential bonding conductors, including the corresponding connection points, has been ensured.

Provided that the above requirements are met, the aforementioned apparatus meets the requirements in IEC/HD 60364-4-41 (DIN VDE 0100-410 (VDE 0100-410):2007-06, section 411.3.2.5) when using the "automatic power supply shutdown" protective measure.

The note is based on the following information:

In the event of a short-circuit with negligible impedance to a protective conductor or to earth, the aforementioned apparatus will reduce the output voltage within a time as required in table 41.1 or within 5 seconds – depending on the applicable scenario – as per IEC/HD 60364-41 (DIN VDE 0100-410; VDE 0100-410):2007-06).

3 Installation

3.9 Protection against electric shock

4 Operational

4.1 Checklist for commissioning

Before placing the frequency converter into operation, use the checklist below to make sure that all the following requirements are met:

No.	Activity	Note
1	Mounting and wiring have been carried out in accordance with the corresponding instruction leaflet (→ IL04020009Z, IL04020013Z, IL04020024ZU).	
2	All wiring and line section leftovers, as well as all the tools used, have been removed from the variable frequency drive's proximity.	
3	All connection terminals in the power section and in the control section were tightened with the specified torque.	
4	The lines connected to the output terminals (U, V, W, DC+, DC-, BR) of the variable frequency drive are not short-circuited and are not connected to earth (PE).	
5	The variable frequency drive has been earthed properly (PE).	
6	All electrical connections in the power section (L1/L, L2/N, L3, U, V, W, DC+, DC-, BR, PE) have been connected properly while taking into account the degree of protection and have been dimensioned in line with the corresponding requirements.	
7	Each single phase of the supply voltage (L or L1, L2, L3) is protected with a fuse.	
8	The variable frequency drive and the motor are adapted to the mains voltage. (→ Section 1.4.1, „Rated operational data on the nameplate“, page14, connection type (star, delta) of the motor tested).	
9	The quality and volume of cooling air are in line with the environmental conditions required for the variable frequency drive and the motor.	
10	All connected control cables comply with the corresponding stop conditions (e.g., switch in OFF position and setpoint value = zero).	
11	The parameters that were preset at the factory have been checked with the list of parameters (→MN040022DE).	
12	The effective direction of a coupled machine will allow the motor to start.	
13	All emergency switching off functions and safety functions are in an appropriate condition.	

4 Operational

4.2 Operational hazard warnings

4.2 Operational hazard warnings

Please observe the following notes.



DANGER

Commissioning is only to be completed by qualified technicians.



DANGER

Hazardous voltage!

The safety instructions on pages I and II must be followed.



DANGER

The components in the variable frequency drive's power section are energized if the supply voltage (mains voltage) is connected. For instance: L1/L, L2/N, L3, DC+, DC-, BR, U/T1, V/T2, W/T3 power terminals.

The control signal terminals are isolated from the line power potential.

There can be a dangerous voltage on the relay terminals (10, 11) even if the variable frequency drive is not being supplied with line voltage (e.g., integration of relay contacts in control systems with voltage > 48 V AC / 60 V DC).



DANGER

The components in the variable frequency drive's power section remain energized up to five (5) minutes after the supply voltage has been switched off (intermediate circuit capacitor discharging time).

Pay attention to hazard warnings!



DANGER

Following a shutdown (fault, mains voltage off), the motor can start automatically (when the supply voltage is switched back on) if the automatic restart function has been enabled (→ parameters P-31).

NOTICE

Any contactors and switching devices on the line side are not to be opened during motor operation. Inching operation using the mains contactor is not permitted.

Contactors and switchgear (repair and maintenance switches) on the motor side must not be opened while the motor is in operation.

Inching operation of the motor with contactors and switching devices in the output of the variable frequency drive is not permissible.

NOTICE

Make sure that there is no danger in starting the motor. Disconnect the driven machine if there is a danger in an incorrect operating state.



If motors are to be operated with frequencies higher than the standard 50 or 60 Hz, then these operating ranges must be approved by the motor manufacturer. The motors could be damaged otherwise.

4 Operational

4.3 Commissioning with control signal terminals (default settings)

4.3 Commissioning with control signal terminals (default settings)

DC1 variable frequency drives come pre-configured for their rated mains voltage and motor output. Once the corresponding motor and mains voltage are connected, these drives allow for direct operation via their control signal terminals.

Simplified connecting example

DC1 with IP20 degree of protection	Terminal	Designation
	L1/L	Single-phase mains connection (DC1-1D..., DC1-12...)
	L2/N	Three-phase mains connection (DC1-32..., DC1-34...)
	L3	—
	⊕	Ground connection
	1	Control voltage +24 V (output, maximum 100 mA)
	2	FWD, Start release clockwise rotating field
	3	REV, Start release left rotating field
	U	Connection for three-phase ac motor (three-phase motor)
	V	
	CO	
	⊕	
	5	Reference voltage +10 V (Output, maximum 10 mA)
	6	Frequency reference value f-Set (Input 0 – +10 V)
	7	Reference potential (0 V)

The potentiometer should have a fixed resistance (connection to control terminals 5 and 7) of at least 1 k Ω and up to a maximum of 10 k Ω . A standard fixed resistance of 4.7 k Ω is recommended.



Make sure that the enable contacts (FWD/REV) are open before switching on the mains voltage.

When the specified supply voltage is applied at the mains connection terminals (L1/L, L2/N, L3), the switched-mode power supply unit (SMPS) in the internal DC link will be used to generate the control voltage and light up the 7-segment LED display (5 7DP). At this point, the variable frequency drive will be ready for operation (correct operating status) and in Stop mode. The start enable signal is sent by activating one of the digital inputs with +24 V:

- Terminal 1: FWD = Clockwise rotating field (Forward Run)
- Terminal 2: REV = Counterclockwise rotating field (Reverse Run)

The FWD and REV control commands are interlocked (exclusive OR) and require a rising voltage edge.

The frequency is shown with a minus sign with a start release with a left rotating field (REV).

4.3 Commissioning with control signal terminals (default settings)

- You can now set the output frequency (0 - 50 Hz) and, as a result, the speed of the connected three-phase motor (0 - n_{Motor}), by using the potentiometer via terminal 6 (0 - +10 V proportional voltage signal). Output frequency changes will be delayed based on the specified acceleration and deceleration times. When using the device's default settings, these times will be set to 5 seconds.

The acceleration and deceleration ramps specify the time change for the output frequency: from 0 to f_{max} ($WE = 50$ Hz) or from f_{max} back to 0.

Figure 71 shows an example illustrating the time response when a RUN enable signal (FWD or REV) is switched on while the maximum setpoint voltage (+10 V) is being applied at control signal terminal 6. The speed of the motor follows the output frequency, depending on the load torque and moment of inertia (slip), from zero to n_{max} .

The acceleration time is set in parameter P-03.

If the enable signal (FWD or REV) is switched off during operation, the inverter will be disabled immediately (STOP) and the output frequency will be set to zero. This will cause the motor to coast to a stop – see ① below.

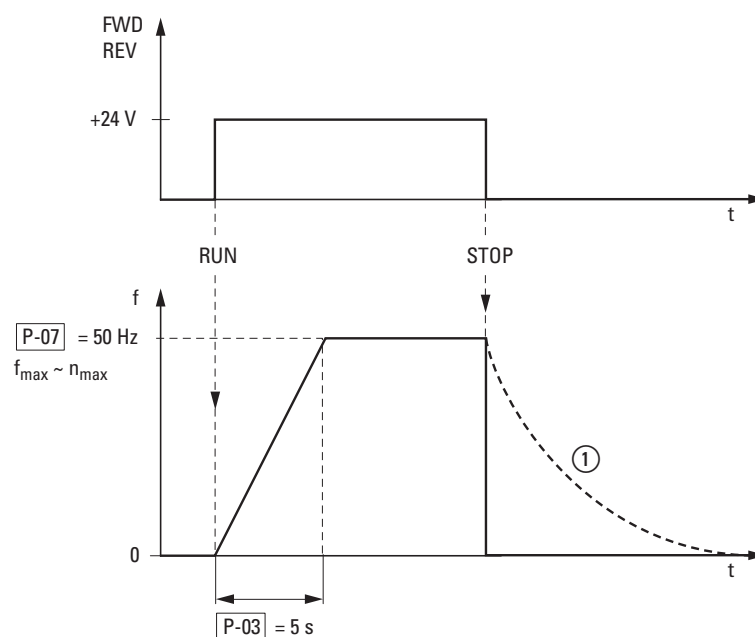


Figure 71: Start-Stop command with maximum reference voltage, acceleration ramp 5 s

4 Operational

4.4 Commissioning with local controls

4.4 Commissioning with local controls

DC1-...-A6S... variable frequency drives with local controls are configured and wired at the factory. They can be started directly using the local controls when the rated motor output for the mains voltage is connected (see the connecting example below).



Make sure that the switches ② and ③ are open before switching on the mains voltage.

Simplified connecting example

DC1-...-A6SN	Terminal	designation	
	PWR	Power ③	
	L1/L	Single-phase mains connection (DC1-1D..., DC1-12...)	Three-phase mains connection (DC1-32..., DC1-34...)
	L2/N		
	L3	–	
	⊕	Ground connection	
	1	Control voltage +24 V (output, maximum 100 mA)	
	2	FWD, Start release clockwise rotating field ②	
	3	REV, Start release left rotating field ②	
	U	Connection for three-phase ac motor (three-phase motor)	
	V		
	CO		
	⊕		
	5	Reference voltage +10 V (Output, maximum 10 mA)	
	6	Frequency reference value f-Set (Input 0 – +10 V) ①	
7	Reference potential (0 V)		

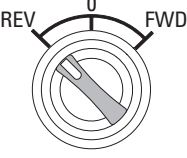
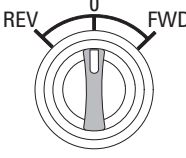
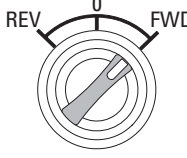
When the specified supply voltage is applied at the mains connection terminals (L1/L, L2/N, L3) and the main switch (PWR ③) on the mains side is switched on, the switched-mode power supply unit (SMPS) in the DC link will be used to generate the control voltage and the 7-segment LED display will light up (5EAP). At this point, the variable frequency drive will be ready for operation (correct operating status) and in Stop mode. The start enable signal can then be issued by selecting a rotating field direction ②:

- FWD = Clockwise rotating field (Forward Run)
- REV = Counterclockwise rotating field (Reverse Run)

At this point, the output frequency (0 - 50 Hz), and the speed of the connected three-phase motor (0 - n_{Motor}) as a result, can be adjusted by using the internal setpoint potentiometer ①. Output frequency changes will be delayed based on the specified acceleration and deceleration times. When using the device's default settings, these times will be set to 5 seconds.

Example

Table 19: Selector switch for DC1-...A6S...

Switch position			mode parameter		Description
REV	0	FWD	P-12	P-15	
					
Default Setting					
REV (Anticlockwise rotation field)	STOP	FWD (Clockwise rotation field)	0	5	Speed control with the setpoint potentiometer on the front ①
Only one operating direction					
STOP	STOP	FWD (Clockwise rotation field)	0	0	Speed control with the setpoint potentiometer on the front ①
Application: Aeration/De-aeration					
REV (Anticlockwise rotating field) with fixed frequency	STOP	FWD (Clockwise rotating field) with potentiometer	0	5	<p>Requirement: Control signal terminals 3 (DI2) and 4 (DI3) are connected with a jumper.</p> <p>A fan is used to supply and remove air, with the specific action depending on the operating direction being used. In one of these operating modes (e.g., supplying air, FWD via DI1), the fan speed can be variably adjusted by using the internal setpoint potentiometer ①. In the other (removing air, REV via DI2 and DI3), the fan is run with the speed configured as a set value in parameter P-20 (default setting = 15 Hz).</p>

4 Operational

4.5 Handling the keypad

4.5 Handling the keypad

The keypad can be used to configure the DC1 variable frequency drive's parameters and monitor its operation.



Manual MN040022DE, "DC1 Variable Frequency Drives – Parameter Manual", goes over how to configure the individual parameters.

4.5.1 Operating unit elements

The following figure shows the elements of the DC1 variable frequency drive integrated operating unit.

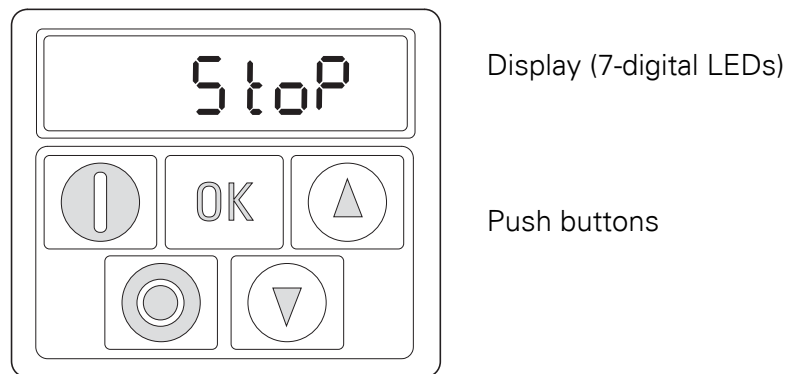


Figure 72: Operating unit view (example DC1-...-A20...)



If you intend to use an external keypad and/or a parameter copying stick with the DC1-...CE1 variable frequency drive, please note that only models DX-KEY-LED**2** and DX-COM-STICK**2** will work.

DX-KEY-OLED can be used, but requires an update first.


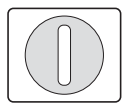
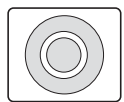
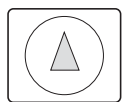
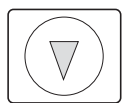


The integrated keypad on DC1 devices and the (optional) external DX-KEY-**LED2** keypad feature a six-digit 7-segment LED display. The optional DX-KEY-**OLED** keypad is a multi-language cleartext display unit (OLED = Organic light-emitting diode). It can be used in conjunction with DC1 variable frequency drives. The buttons on both keypads work the exact same way. The additional **Hand** and **Auto** buttons on the DX-KEY-OLED keypad do not do anything in this case.

➔ On OLED displays, languages can be selected by pressing **START** + ▲ simultaneously.
Display: **Select Language**.
The display language can be changed with the ▲ and ▼ arrow keys. The selected language setting can then be saved by pressing the **OK** button.

➔ If you want to use the **START** and **STOP** buttons to control the DC1 variable frequency drive, the corresponding setting needs to be enabled in parameter P-12 ("Local process data source") regardless of which keypad type or model is being used (integrated DX-KEY-LED or external DX-KEY-OLED)

Table 20: Keypad buttons

Button	Attribute ID	Explanation
	OK	<ul style="list-style-type: none"> • Navigating in parameter mode • Opens and closes the parameter interface (press the button and hold it down for more than two seconds) • Saves parameter changes • Changes the value being displayed: A, rpm, etc. (real-time information)
	START	<ul style="list-style-type: none"> • Starts the variable frequency drive¹⁾ • Changes the operating direction²⁾ if the motor is running
	STOP	<ul style="list-style-type: none"> • Stops the variable frequency drive¹⁾ • Reset – Resetting after fault message
	UP	<ul style="list-style-type: none"> • Increases the speed¹⁾ • Increment numeric value or parameter number
	DOWN	<ul style="list-style-type: none"> • Decreases the speed¹⁾ • Decrement numeric value or parameter number

Note:

- 1) P-12 = 1 (one operating direction) or P-12 = 2 (two operating directions);
The operating direction will be reversed when the START button is pressed
- 2) Only if P-12 = 2

4.5.2 Parameter structure

Table 21: Parameter groups

Parameter group	Value Range	Part no.	Access rights
Display values	P00-01 - P00-20	DC1-...	ro
	P00-21 - P00-50	DC1-...E1	ro
Basis parameters	P-01 – P-14	DC1-...	rw
Expansion	P-15 – P-55	DC1-...	rw
Expansion, version 1	P-60 – P-68	DC1-...E1	rw


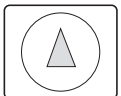
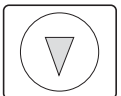


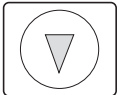

Parameter P-14 is used to control access to all parameter groups:

- P-14 = P-37 (default setting: 101): enables access to the extended parameter set (up to P-55 and up to P00-20)
- P-14 = P-37 + 100 (default setting: 201): enables access to the extended parameter set for version 1 (up to P-68 and up to P00-50)

4.5.3 Keypad usage examples

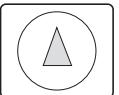
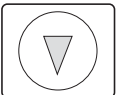
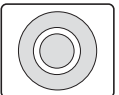
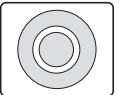
4.5.3.1 Adjust parameters

Table 22: Modify parameters

Commands	Description
	Press the OK button and hold it down for two seconds in order to access the parameter interface. → The display will show the parameter that was last used.
 	Use the ▲ and ▼ buttons to select a parameter.
	Press the OK button. The value of the selected parameter can be changed.
 	Use the ▲ and ▼ buttons to change the parameter's value.
	Press the OK button to confirm the parameter value change. As soon as the parameter is displayed, the value will have been saved. Press the OK button and hold it down for two seconds in order to exit the parameter interface (display: "5L0P").



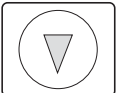

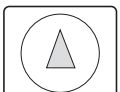
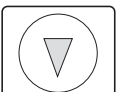


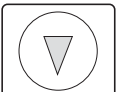

4.5.3.2 Resetting Parameters (RESET)

Table 23: Resetting parameters (RESET)

Commands	Description
Reset to default settings	
 +  + 	Press the ▲ and ▼ and STOP buttons and hold them down for two seconds. → All parameters will be restored to their default settings. The display will show P-dEF.
Resetting after a fault	
	Press the STOP button to reset a fault message. The display will show 5L0P.

4.5.3.3 Extended parameter set

Table 24: Enabling and disabling access to the extended parameter set

Commands	Description
Enabling access to the extended parameter set	
	Press the OK button and hold it down for two seconds in order to access the parameter interface The display will show the parameter that was last used.
 	Use the ▲ and ▼ buttons to select parameter P-14
	Press the OK button.
 	Use the ▲ and ▼ buttons to enter the password set with P-37 (default setting: 101)
	Press the OK button to confirm The extended parameter set (parameters > P-14 and display values P00-...) will now be available.
Disabling access to the extended parameter set	
 	Use the ▲ and ▼ buttons to set a value for P-14 that does not match the password (P-37).
	Press the OK button to confirm Only the "basic parameters", P-01 to P-14, will be accessible now.



The extended parameter set (default setting for P-37 = 101) contains parameters P-01 to P-55. Additional parameters P-60 to P-68 can be configured for specific applications. The corresponding password is 201 in parameter P-37 (value of P37 + 100).

4.6 Help leaflets

DC1 variable frequency drives come with two help cards that show the most important control connections and parameters. This makes it possible to quickly and easily commission the drives with their default settings when using the rated motor output (“out-of-the-box operation”).

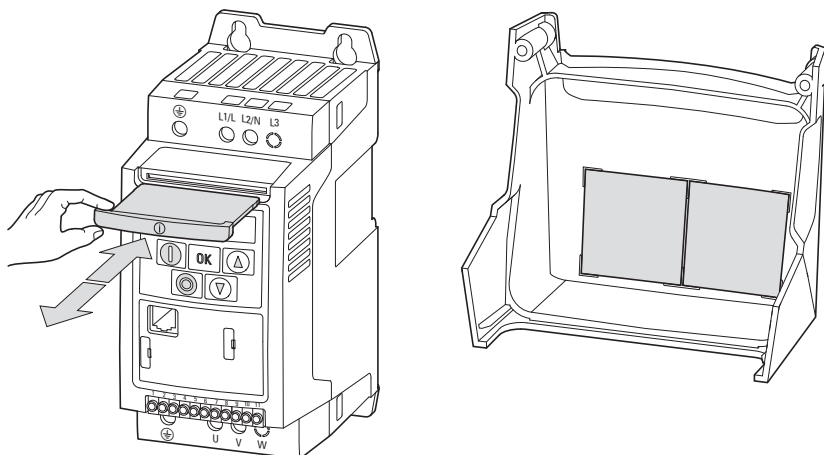


Figure 73: Help cards in units with an IP20 (left) or IP66 (right) degree of protection

In the case of devices with an IP20 degree of protection, the help cards will be inserted in place above the keypad. In the case of devices with an IP66 degree of protection, they will be found on the inside of the terminal cover.

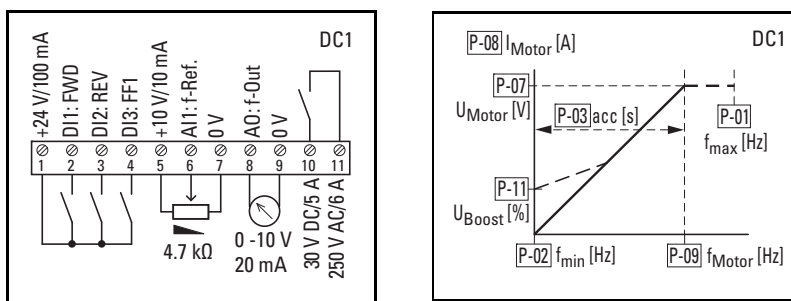


Figure 74: Help cards

4 Operational

4.6 Help leaflets

Table 25: Control connections with default settings (help card)

Control signal terminal	Signal	Description	
1	+24 V	Control Voltage	Output voltage
2	DI1	Digital Input 1	FWD = clockwise rotating field enable (U → V → W)
3	DI2	Digital input 2	REV = anticlockwise rotating field enable (W → V → U)
4	DI3	Digital Input 3	FF1 = Switch from analog setpoint AI1 (control signal terminal 6) to fixed frequency value f-Fix1 in parameter P-20 (15 Hz)
5	+10V	Reference voltage	Output voltage
6	AI1	Analog Input 1	Reference voltage: 0 - 10 V = 0 - 50 Hz (Rotating field frequency)
7	0 V	Reference potential	for +24 V and + 10 V, 0 V = Control signal terminal 9
8	AO	Analog output	Frequency actual value: 0 - 50 Hz = 0 - 10 V (output voltage)
9	0 V	Reference potential	for +24 V and + 10 V, 0 V = Control signal terminal 7
10	relay	Contact N/O	RUN = Run signal (operating signal); closed when there is an enable signal at DI1 or DI2.
11			



When the active enable signal (FWD or REV) is switched off, the motor will coast to a stop with the default settings.

Table 26: Default settings for basic parameters (help card)

Mode parameter	Designation	Description		
P-01	f _{max}	f-max	Hz	Maximum output frequency; can be set to any value between f-min (P-02) and the motor's rated frequency (P-09); maximum setting: 5 x P-09
P-02	f _{min}	Min Frequency	Hz	Minimum output frequency, can be set to any value between 0 and f-max (P-01)
P-03	acc	t-acc	s	Acceleration time from stop to rated frequency (P-09).
P-07	U _{Motor}	Motor Nom Voltage	V	Defined rated motor voltage at rated frequency (P-09) = Mains voltage (U _{LN})
P-08	I _{Motor}	Motor Nom Current	A	Rated operational current for the DC1 variable frequency drive. The motor protection function can be adjusted to match the motor being used by setting this parameter to the rated motor current (see example below).
P-09	f _{Motor}	Motor Nom Frequency	f	Rated motor frequency (50 Hz) at the rated motor voltage (P-07)
P-11	V-Boost	V-Boost	%	Voltage is used to increase the applied motor voltage at low output frequency, in order to improve low speed and starting torque.

When the DC1 variable frequency drive is used with its default settings, parameter P-08 will show the drive's rated operational current. The motor protection function can be adjusted to match the motor being used by changing this value to the rated motor current. If the motor current exceeds the value set in P-08, the dots on the display (I x t) will flash to indicate that there is an overload. If this overload is present for a prolonged period of time, the DC1 variable frequency drive will switch off the output in order to protect the motor, and the display will show *I.E - E r P* in order to indicate this. At this point, the motor will coast to a stop.

The computed value for the thermal motor model may be saved depending on how parameter P-51 has been configured.

Table 27: Thermal memory (T-Memory Enable)

P-51	Storage function	Description
0	OFF	The computed thermal model for the motor will be deleted when the supply voltage is switched off (= default setting).
1	ON	The computed thermal model for the motor will be automatically saved when the supply voltage is switched off and used again when the supply voltage is switched back on.

Example of a motor rating plate

DC1-3402D3... variable frequency drive (rated operational current of 2.3 A) for three-phase mains connection with a voltage of 400 V.

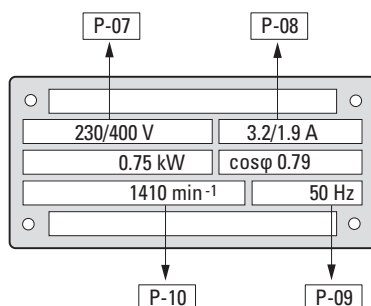



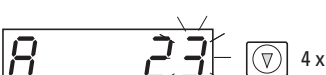

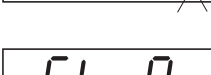



Figure 75: Motor rating plate, P-08 = 1.9 A at 400 V

➔ This motor needs to be connected with a star configuration.

Example (adjust the motor protection function)

The following example shows how to adjust the motor protection function:

View	Explanation
	<p>Operating state Stop</p>
	<p>Press the OK button and hold it down for about two seconds.</p>
	<p>Use the ▲ (Up) or ▼ (Down) arrow key to select parameter P-08. Press the OK button to confirm.</p>
	<p>The rated operational current (2.3 A) for the DC1-342D3 variable frequency drive will be displayed.</p>
	<p>Press the ▼ (Down) arrow key four times in order to set the appropriate rated motor current (1.9 A with 400 V).</p>
	<p>The motor protection function will be adjusted so as to match the motor being used</p>
	<p>Press the OK button and hold it down for about two seconds to confirm.</p>

5 Error Messages

5.1 Introduction

DC1 series variable frequency drives come with several internal monitoring functions. When a deviation from the correct operating state is detected, an error message will be displayed; in the drive's default settings, the relay contact will open (control terminals 10 and 11).

5.2 Fault History

The most recent four error messages will be stored in the order in which they occurred (with the most recent one in the first place). Error messages can be read from the display-parameter P00-13.

5.2.1 Acknowledge error message (Reset)

To acknowledge and reset the current error message, you can either switch off the supply voltage or press the STOP pushbutton. Error messages (a maximum of four) are stored in parameter P00-13. Error messages can also be reset with a new start signal (new rising edge) at control signal terminal 2 (DI1) or 3 (DI2).

5.2.2 Fault log

The fault log (P00-13) stores the most recent four error messages in the order in which they occurred. The most recent error message will always be shown as the first value when P00-13 is accessed.

To see the remaining error messages one after the other, press the ▲ (Up) button. Their order will be indicated by the number of flashing dots on the 7-segment digital display assembly.



The values in the fault log (P00-13) will not be deleted if the variable frequency drive is reset to its default settings!



In order to view parameter P00-13, you will first need to enable access to the extended parameter set: P-14 = P-37 (default setting: 101)

5 Error Messages

5.3 Fault list

5.3 Fault list

The following table shows the failure codes, the possible causes and indicates corrective measures.

Table 28: Error messages list

Message	Error no. [dec]	Possible causes and fixes
<i>StoP</i>	–	Ready to start. There is no drive enable signal present. There are no error messages present.
<i>O1 - b</i>	01	Excessively high braking current <ul style="list-style-type: none"> • Check the brake resistor and its wiring for short-circuits and ground faults. • Make sure that the braking resistance value is not lower than the minimum permissible braking resistance.
<i>OL - br</i>	02	Thermal overload on brake resistor The drive has been switched off in order to prevent the brake resistor from being thermally destroyed. <ul style="list-style-type: none"> • Make the P1-04 and P2-25 ramp times longer in order to have less frequent braking. • Reduce the load's inertia, if possible.
<i>O-I</i>	03	Overcurrent at variable frequency drive output Occurs right after switching on the unit: <ul style="list-style-type: none"> • Check the cable connection between inverter and motor. • Check the motor for shorted turns and ground faults. Occurs when starting the motor: <ul style="list-style-type: none"> • Check whether the motor can rotate freely and make sure that it is not being blocked mechanically. • Motor with mechanical brake: Check whether the brake is being applied. • Check the connection configuration (star/delta). • Check to make sure that the motor data was entered correctly in P1-07, P1-08, and P1-09. • In vector control mode (P4-01 = 0 or 1): Check to make sure that the $\cos \varphi$ (P4-05) value was entered correctly and that a motor identification run was performed correctly. • Increase the acceleration ramp time (t-acc, P1-03) if necessary. • In speed control mode (P4-01 = 2): Reduce the voltage boost with P1-11. Occurs during operation at a constant speed: <ul style="list-style-type: none"> • Check whether the motor is overloaded. Occurs during acceleration/deceleration: <ul style="list-style-type: none"> • The ramp times are too short and require too much power. If P-03/P-04 cannot be increased, a larger device may be required.
<i>I.L - ErP</i>	04	Motor overload. The thermal protection mechanism has tripped as a result of the device being run above the rated motor current set with P1-08 longer than a specific time. <ul style="list-style-type: none"> • Check to make sure that the motor data was entered correctly in P1-07, P1-08, and P1-09. • In vector control mode (P4-01 = 0 or 1): Check to make sure that the $\cos \varphi$ (P4-05) value was entered correctly and that a motor identification run was performed correctly. • Check the motor's connection configuration (e.g., start/delta) • If the decimal points on the display flash during operation, this means that the unit is being run in its overload range (> P1-08). In this case, use P1-03 to make the acceleration ramp longer or reduce the load. • Make sure that the motor is not being mechanically blocked and that there are no additional loads on the motor.
<i>P5 - ErP</i>	05	Overcurrent (Hardware) <ul style="list-style-type: none"> • Check the wiring to the motor and the motor itself for short-circuits and ground faults. • Disconnect the motor cable from the variable frequency drive and switch the variable frequency drive back on. If the error message still appears, the device needs to be replaced. Before commissioning the new device, check the system for short-circuits or ground faults that could have caused the device to fail.

Message	Error no. [dec]	Possible causes and fixes
<i>OUolt</i>	06	<p>Overvoltage in DC link The DC-Link Voltage value can be viewed using parameter P0-20. P0-36 contains a fault register with the last values before the unit was switched off (scan time: 256 ms).</p> <ul style="list-style-type: none"> • Check to make sure that the supply voltage falls within the range for which the variable frequency drive is sized. • If the fault occurs during deceleration or stopping: Make the deceleration ramp (P1-04/P2-25) longer or use the brake resistor. • In vector control mode (P4-01 = 0 or = 1): Reduce the speed controller's gain (P4-03). • If using the PID controller: Reduce P3-11 (PID1 fault ramp) to ensure that the ramps are active.
<i>UUolt</i>	07	<p>Undervoltage in DC link</p> <p>Note: Generally, this message will appear when the supply voltage is switched off on the device and the DC link voltage dies away. In this case, there is no fault.</p> <p>If the message appears during operation:</p> <ul style="list-style-type: none"> • Check whether the power supply voltage is too low. • Check all components/devices in the variable frequency drive's feeder circuit (circuit-breaker, contactor, choke, etc.) to make sure they are connected properly and have an adequate contact resistance.
<i>O-t</i>	08	<p>Overtemperature at heat sink. The drive is too hot. The heat sink temperature can be viewed by using P0-21. P0-38 contains a fault register with the last values before the unit was switched off (scan time: 30 s).</p> <ul style="list-style-type: none"> • Check to make sure that the variable frequency drive is being operated within the ambient temperature range specified for it. (IP20 devices: max. 50 °C; IP66 devices: max. 40 °C). • Check to make sure that the device fan is running. • Make sure that cooling air can circulate freely (clearances to neighboring devices above and below the variable frequency drive). • Improve the control cabinet's ventilation if necessary: The device's vents must not be obstructed, e.g., by dirt or as a result of devices being installed too close to each other. • Reduce the switching frequency with P2-24. • Reduce the load, if possible.
<i>U-t</i>	09	<p>Under-temperature The message will appear if the ambient temperature falls below -10 °C. In order to be able to start the drive, the temperature must be higher than this.</p>
<i>P-dEF</i>	10	<p>The parameters' default settings have been loaded.</p> <ul style="list-style-type: none"> • Press the STOP button: You will be able to reconfigure the drive after doing so.
<i>E-t r iP</i>	11	<p>External fault (at digital input 5, terminal 10, if P1-13 = 6/7/16/17). There must be a high-level signal at this input in order to be able to run the variable frequency drive.</p> <ul style="list-style-type: none"> • If a thermistor is connected to terminal 10, check whether the motor is too hot.
<i>P-LDSS</i>	14	<p>Incoming power phase failure (only for devices with a three-phase power supply)</p>
<i>th-FLt</i>	16	<p>Malfunctioning heat sink thermistor.</p> <ul style="list-style-type: none"> • Please contact your nearest Eaton sales branch.
<i>dRRR-F</i>	17	<p>Error in internal memory. The parameters have not been saved and the default settings have been loaded.</p> <ul style="list-style-type: none"> • Change the parameter values (again) and save them once more. • If the message appears again, please contact your nearest Eaton sales branch.
<i>4-20 F</i>	18	<p>The analog input's input current does not fall within the specified range.</p> <ul style="list-style-type: none"> • Check the setting in P2-30 for AI1 (terminal 6) and P2-33 for AI2 (terminal 10). • In the case of 4-20 mA: Check the setpoint connection for wire breakage.

5 Error Messages

5.4 Fault diagnostics

5.4 Fault diagnostics

The number of critical faults and specific malfunctions will be logged for diagnostic purposes. The corresponding values can be read by accessing the display parameters (→ Section "4.5.2 Parameter structure", page 126). Please note that these values cannot be edited or deleted.

Table 29: Critical faults and specific malfunctions

Mode parameter	Designation	Description
P00-33	<i>Q-I</i>	Number of overcurrent signals at the variable frequency drive's output Critical fault!
P00-34	<i>Q Uo1 t5</i>	Number of overvoltage signals in the internal DC link Critical fault!
P00-35	<i>U-uo1 t5</i>	Number of undervoltage signals in the internal DC link Critical fault!
P00-36	<i>Q-TEMP</i>	Hours with overtemperature at heat sink Critical fault!
P00-37	<i>b Q-I</i>	Number of overcurrent signals from braking chopper Critical fault!
P00-38	<i>Q-HEAT</i>	Number of overtemperature signals from control section Critical fault!
P00-39	–	Modbus – Number of communication errors
P00-40	–	CANopen – Number of communication errors
P00-41	–	I/O processor – Number of communication errors
P00-42	–	Microprocessor in power section – number of communication errors

6 Technical Data

6.1 General rating data

Technical data	Symbol	Unit	Value
General			
Standards			EMC: EN 61800-3:2004+A1-2012 Radio interference: EN 55011: 2010 Security: EN 61800-5: 2007 Degree of protection: EN 60529: 1992 Soiling: IEC 721-3-3
Certifications and manufacturer's declarations on conformity			CE, UL, cUL, c-Tick, UkrSEPRO, Gost-R
Production quality			RoHS, ISO 9001
Climatic proofing	ρ_w	%	< 95 %, average relative humidity (RH), non-condensing (EN 50178)
Ambient air temperature			
Operational			
IP20 (NEMA 0)	θ	°C	-10 - +50 without derating -10 - +45 for DC1-12011... and DC1-32011..., for UL compliance over a period of 24 hours
IP66 (NEMA 4X)	θ	°C	-10 - +40 without derating Note: Operation within a temperature range of 40 to 50 °C does not conform to UL listing.
Storage	θ	°C	-40 - +60 (frost-free and condensation-free)
pollution degree			Non-conductive dust permissible
Transport			Class 1C2 (chemical gases), Class 1S2 (solid particles)
Storage			Class 2C2 (chemical gases), Class 2S2 (solid particles)
Operational			Class 3C2 (chemical gases), Class 3S2 (solid particles)
Vibration level (not evaluated during operation)			
Shock test			
Pulse shape			Half sinus
Top acceleration			15 g
Time Window			11 ms
Vibration test			
Frequency range	f	Hz	10 - 150 10 - 57.55: 0.15 mm peak-peak 57.55 - 150: 1 g Top acceleration
Vibration evaluation			1 octave/minute
MTBF (mean time between failures)		Years	157
Electrostatic discharge (ESD, EN 61000-4-2:2009)	U	kV	±4, contact discharge ±8, air discharge
Fast transient burst (EFT/B, EN 61000-4-4: 2004)	U	kV	±1, at 5 kHz, control signal terminal ±2, at 5 kHz, motor connection terminals, single-phase mains connection terminals ±4, at 5 kHz, three-phase mains connection terminals

6 Technical Data

6.1 General rating data

Technical data	Symbol	Unit	Value
Overvoltage (surge, EN 61000-4-5: 2006)			
110 - 115 V, 200 - 240 V	U	kV	±1, phase to phase/neutral conductor ±2, phase/neutral conductor to earth
380 - 480 V	U	kV	±2, phase to phase ±4, phase to earth
Electric strength (flash, EN 61800-5-1: 2007)			
110 - 115 V, 200 - 240 V	U	kV	1.5
380 - 480 V	U	kV	2.5
Radio interference class (EMC)			
Maximum screened motor cable length with integrated radio interference suppression filter			
Category C1	l	m A	1, only for DC1-122D3F... to DC1-12011F...(FS1, FS2)
Category C2	l	m A	5
Category C3	l	m A	25
Mounting position			vertical
Altitude	h	m A	0 - 1000 above sea level, > 1000 with 1% load current reduction every 100 m, maximum 2000 with UL approval, maximum 4000 without UL approval
Degree of protection			IP20 (NEMA 0) / IP66 (NEMA 4X)
Protection against contact			BGV A3 (VBG4, finger- and back-of-hand proof)
Main circuit / power section			
Feeder unit			
Rated operating voltage			
DC1-1D...	U _e	V	1~ 110 (110 V - 10 % - 115 V +10 %, → U ₂ = 230 V)
DC1-12...	U _e	V	1~ 230 (200 V -10 % - 240 V +10 %)
DC1-32...	U _e	V	3~ 230 (200 V -10 % - 240 V +10 %)
DC1-34...	U _e	V	3~ 400 (380 V -10 % - 480 V +10 %)
Single-phase power supply with DC1-3... units			When powered with a single-phase power supply, variable frequency drives from the DC1-32... and DC1-34... series can be operated with a maximum of 50% of the rated operational current (I _o).
Mains frequency	f	Hz	50/60 ±10 %
Phase Imbalance		%	max. 3
Maximum short-circuit current (supply voltage)	SCCR	kA	100
Mains switch-on frequency			Maximum of one time every 30 seconds
Mains network configuration (AC supply system)			TN and TT network with directly earthed neutral point. IT earthing systems with PCM insulation monitoring relays only. Operation on phase-earthed networks is only permissible up to a maximum phase-earth voltage of 300 V AC.
Inrush current	I	A	< I _{LN}

6 Technical Data

6.1 General rating data

Technical data	Symbol	Unit	Value
Motor feeder			
Output voltage			
DC1-1D...	U_2	V	3~ 0 - 2 x U_e (voltage doubler)
DC1-12..., DC1-32..., DC1-34...	U_2	V	3~ 0 - U_e
Assigned motor output			
at 230 V, 50 Hz	P	kW	0.37 - 4
at 400 V, 50 Hz	P	kW	0.75 - 22
Output Frequency			
Range, parameterizable	f_2	Hz	0 - 50/60 (max. 500 Hz)
resolution		Hz	0.1
Rated operation current	I_e	A	IP20: 2.3 - 46 IP66: 2.3 - 24
Overload current for 60 s every 600 s	i_l	%	150
Overload current for 3.75 s every 600 s	i_l	%	175
Switching frequency (double modulation)	f_{PWM}	kHz	max. 32
Operating mode			
V/Hz control (speed accuracy)			±20 %, with slip compensation
Vector control (static speed accuracy)			±0.033 % ±1% load range: 0 - 100%
Torque response time	t_r	ms	1 - 8
Torque linearity			±5% (10 - 90% of speed variable range, 20 - 100% of torque load range)
Response time (enable IGBT)	t_r	ms	< 10
DC braking			
Time before start	t	s	0 - 25, in the event of a stop
Motor pick-up control function (for catching spinning motors)			all frame sizes
Brake chopper			only for sizes FS2 to FS4
Braking current during continuous operation		%	100 (I_e)
Maximum braking current		%	150 for 60 s

6 Technical Data

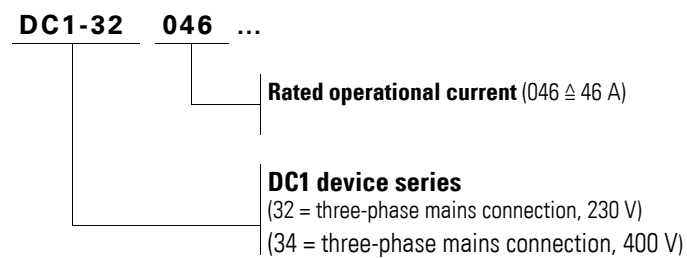
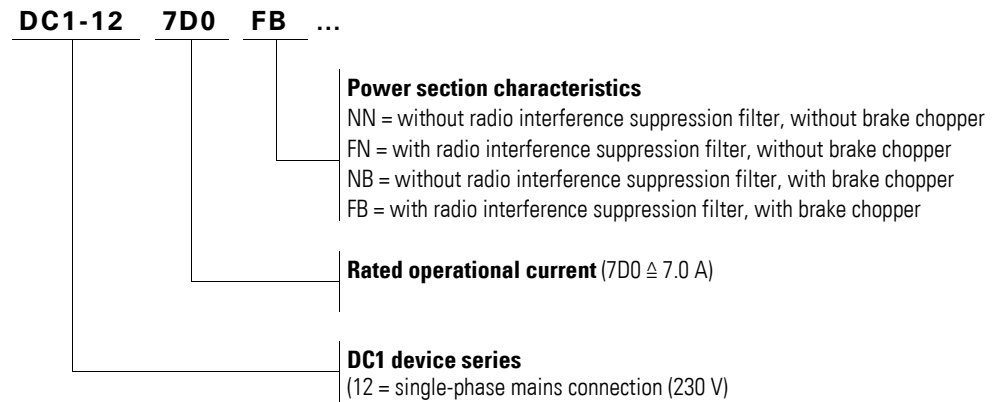
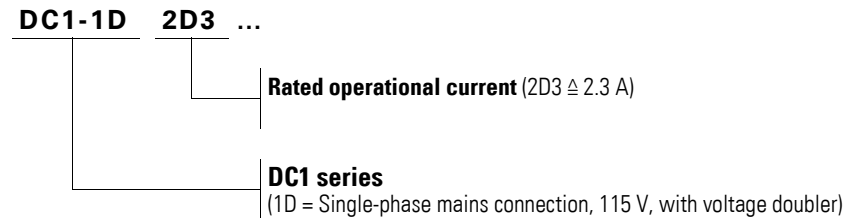
6.1 General rating data

Technical data	Symbol	Unit	Value
Control section			
Control Voltage			
Output voltage (control signal terminal 1)	U_C	V DC	24
Load rating (control signal terminal 1)	I_1	mA	100
Reference voltage (control signal terminal 5)	U_S	V DC	10
Load rating (control signal terminal 5)	I_5	mA	10
Digital Input (DI)			
Quantity			2 - 4
Logic (level)			increase (NPN)
Response time	t_r	ms	< 8
Input voltage range High (1)	U_C	V DC	8 - 30
Input voltage range Low (0)	U_C	V DC	0 - 4
Analog Input (AI)			
Quantity			0 - 2
resolution			12-bits
accuracy		%	< 1 to the final value
Response time	t_r	ms	< 16
Input voltage range	U_S	V	0 - 10, DC ($R_i \sim 72 \text{ k}\Omega$)
Input current range	I_S	mA	0/4 - 20 ($R_B \sim 500 \Omega$)
Relay output (RO1)			
Quantity			1 relay
Relay contact			N.O.
Switching capacity			
AC	I	A	6 (250 V AC)
DC	I	A	5 (30 V AC)
Digital Output (DO)			
Quantity			0 - 1
Output voltage	U_{Out}	V	+24
Load rating (control signal terminal 8)	I_8	mA	20 max.
Analog Output (AO)			
Quantity			0 - 1
Output voltage	U_{Out}	V	0 - +10
Output current (control signal terminal 8)	I_8	mA	0 - 20, 4 - 20
Load rating (control signal terminal 8)	I_8	mA	20 max.
resolution		Bit	10
accuracy		%	< 1 to the final value
Interface (RJ45)			
Response time (after valid command)	t_r	ms	<8 (Modbus, CANopen) <8 (OP bus: Master slave, 60 ms cycle)

6.2 Specific rated operational data

The following tables list the specific rated operational data for the individual DC1 series based on the corresponding rated operational current.

Examples



6 Technical Data

6.2 Specific rated operational data

6.2.1 DC1-1D...device series

Variable frequency drives with voltage doubler

$$U_{LN} = 2 \times U_2: 115 \text{ V} \rightarrow 230 \text{ V}$$

Size	Symbol	Unit	2D3	4D3	5D8
Rated operational current	I_e	A	2.3	4.3	5.8
Overload current for 60 s every 600 s	i_l	A	3.45	6.45	8.7
Overload current for 3.75 s every 600 s	i_l	A	4.03	7.53	10.15
Apparent power at rated operation ¹⁾ 230 V	S	kVA	0.92	1.71	2.31
Assigned motor power					
at 230 V, 50 Hz	P	kW	0.37	0.75	1.1
at 220 - 240 V, 60 Hz	P	HP	0.5	1	1.5
Power side (primary side):					
Number of phases			single-phase or two-phase		
Rated operating voltage	U_{LN}	V	110 (-10 %) - 115 (+10 %) 48 - 62 Hz 99 - 126 ±0 %		
Input current (phase current)	I_{LN}	A	7.8	15.8	21.9
Minimum braking resistance	R_B	Ω	–	–	100
Switching frequency (pulse frequency)					
Default Setting	f_{PWM}	kHz	8	8	8
Setting range	f_{PWM}	kHz	4 - 32	4 - 32	4 - 32
Voltage Boost (U_{Boost}/U_{LN})					
Default Setting		%	3	3	2.5
Max Value		%	25	25	20
Maximum leakage current to earth (touch current), at U_{LN} : 120 V, without motor	I_{Touch}	mA	4.8	4.8	4.8
Efficiency	η		0.95	0.95	0.95
Heat dissipation					
At I_e (150%)	P_V	CO	18.5	37.5	44
During no-load running, standby (locked, without fan)	P_V	CO	3.07	3.07	4.51
fan, built-in			–	✓ ¹⁾	✓ ¹⁾
Size			FS1	FS1	FS2

1) Not with IP66 degree of protection

6.2.2 DC1-12...device series

Size	Symbol	Unit	2D3	4D3	7D0NN 7D0FN	7D0NB 7D0FB	011	015
Rated operational current	I_e	A	2.3	4.3	7	7	10.5	15
Overload current for 60 s every 600 s	i_l	A	3.45	6.45	10.5	10.5	15.75	22.5
Overload current for 3.75 s every 600 s	i_l	A	4.03	7.53	12.25	12.25	18.38	26.25
Apparent power at rated operation 230 V	S	kVA	0.92	1.71	2.79	2.79	4.18	5.98
Apparent power at rated operation 240 V	S	kVA	0.96	1.79	2.91	2.91	4.36	6.24
Assigned motor power								
at 230 V, 50 Hz	P	kW	0.37	0.75	1.5	1.5	2.2	4
at 220 - 240 V, 60 Hz	P	HP	0.5	1	2	2	3	5
Power side (primary side):								
Number of phases			single-phase or two-phase					
Rated operating voltage	U_{LN}	V	200 - 10 % - 240 + 10 %, 50/60 Hz 180 - 264 ±0 %, 48 - 62 Hz ±0 %					
Input current (phase current)	I_{LN}	A	3.7	7.5	12.9	12.9	19.2	29.2
Minimum braking resistance	R_B	Ω	–	–	–	100	50	25
Switching frequency (pulse frequency)								
Default Setting	f_{PWM}	kHz	8	8	8	8	8	8
Setting range	f_{PWM}	kHz	4 -32	4 -32	4 -32	4 -32	4 -32	4 -24
Voltage Boost (U_{Boost}/U_{LN})								
Default Setting		%	3	3	3	2.5	2.5	2
Max Value		%	25	25	25	20	20	15
Maximum leakage current to earth (PE), at U_{LN} : 240 V, without motor	I_{PE}	mA	4.8	4.8	4.8	4.8	4.8	4.7
Efficiency	η		0.95	0.94	0.96	0.96	0.95	0.96
Heat dissipation								
At I_e (150%)	P_V	CO	18.5	45.75	63	63	103.4	160
During no-load running, standby (locked, without fan)	P_V	CO	3.07	3.07	3.07	4.51	4.51	5.16
fan, built-in			–	✓	✓	✓	✓	✓
Size			FS1	FS1	FS1	FS2	FS2	FS3

6 Technical Data

6.2 Specific rated operational data

6.2.3 DC1-32... device series

Size	Symbol	Unit	2D3	4D3	7D0NN	7D0NB 7D0FB
Rated operational current	I_e	A	2.3	4.3	7	7
Overload current for 60 s every 600 s	i_l	A	3.45	6.45	10.5	10.5
Overload current for 3.75 s every 600 s	i_l	A	4.03	7.53	12.25	12.25
Apparent power at rated operation 230 V	S	kVA	0.92	1.71	2.79	2.79
Apparent power at rated operation 240 V	S	kVA	0.96	1.79	2.91	2.91
Assigned motor power						
at 230 V, 50 Hz	P	kW	0.37	0.75	1.5	1.5
at 220 - 240 V, 60 Hz	P	HP	0.5	1	2	2
Power side (primary side):						
Number of phases			3	3	3	3
Rated operating voltage	U_{LN}	V	200 - 10 % - 240 + 10 %, 50/60 Hz 180 - 264 ±0 %, 48 - 62 Hz ±0 %			
Input current (phase current)	I_{LN}	A	3.4	5.6	9.5	8.9
Minimum braking resistance	R_B	Ω	–	–	–	100
Switching frequency (pulse frequency)						
Default Setting	f_{PWM}	kHz	16	16	16	16
Setting range	f_{PWM}	kHz	4 -32	4 -32	4 -32	4 -32
Voltage Boost (U_{Boost}/U_{LN})						
Default Setting		%	3	3	3	2.5
Max Value		%	25	25	25	20
Maximum leakage current to earth (touch current), at U_{LN} : 240 V, without motor	I_{Touch}	mA	7.5	7.5	7.5	7.2
Efficiency	η		0.96	0.95	0.96	0.96
Heat dissipation						
At I_e (150%)	P_V	CO	14.8	39.75	61.5	61.5
During no-load running, standby (locked, without fan)	P_V	CO	3.07	3.07	3.07	4.51
fan, built-in			–	✓	✓	✓
Size			FS1	FS1	FS1	FS2

DC1-32... device series

Continue

Size	Symbol	Unit	011	018	024	030	046
Rated operational current	I_e	A	10.5	18	24	30	46
Overload current for 60 s every 600 s	i_l	A	15.75	27	36	45	69
Overload current for 3.75 s every 600 s	i_l	A	18.38	31.5	42	52.5	80.5
Apparent power at rated operation 230 V	S	kVA	4.18	7.17	9.55	11.94	18.30
Apparent power at rated operation 240 V	S	kVA	4.36	7.48	9.96	12.46	19.10
Assigned motor power							
at 230 V, 50 Hz	P	kW	2.2	4	5.5	7.5	11
at 220 - 240 V, 60 Hz	P	HP	3	5	7.5	10	15
Power side (primary side):							
Number of phases			3	3	3	3	3
Rated operating voltage	U_{LN}	V	200 - 10 % - 264 + 10 %, 50/60 Hz 180 - 264 ±0 %, 48 - 62 Hz ±0 %				
Input current (phase current)	I_{LN}	A	12.1	20.9	26.4	33.3	50.1
Minimum braking resistance	R_B	Ω	50	25	20	15	10
Switching frequency (pulse frequency)							
Default Setting	f_{PWM}	kHz	16	8	8	8	8
Setting range	f_{PWM}	kHz	4 - 32	4 - 24	4 - 24	4 - 24	4 - 24
Voltage Boost (U_{Boost}/U_{LN})							
Default Setting		%	2.5	2	2	1.5	1.5
Max Value		%	20	15	15	10	10
Maximum leakage current to earth (touch current), at U_{LN} : 240 V, without motor	I_{Touch}	mA	7.2	6.8	6.8	6.9	6.9
Efficiency	η		0.96	0.96	0.97	0.97	0.96
Heat dissipation							
At I_e (150%)	P_V	CO	90.2	160	223	304	446
During no-load running, standby (locked, without fan)	P_V	CO	4.51	5.16	5.16	7.54	7.54
fan, built-in			✓	✓	✓	✓	✓
Size			FS2	FS3	FS3	FS4	FS4

6 Technical Data

6.2 Specific rated operational data

6.2.4 DC1-34...device series

Size	Symbol	Unit	2D2	4D1NN 4D1FN	4D1NB 4D1FB	5D8	9D5
Rated operational current	I_e	A	2.2	4.1	4.1	5.8	9.5
Overload current for 60 s every 600 s	i_l	A	3.3	6.15	6.15	8.7	14.25
Overload current for 3.75 s every 600 s	i_l	A	3.85	7.18	7.18	10.15	16.63
Apparent power at rated operation 230 V	S	kVA	1.52	2.84	2.84	4.02	6.58
Apparent power at rated operation 240 V	S	kVA	1.83	3.41	3.41	4.82	7.9
Assigned motor power							
at 230 V, 50 Hz	P	kW	0.75	1.5	1.5	2.2	4
at 220 - 240 V, 60 Hz	P	HP	1	2	2	3	5
Power side (primary side):							
Number of phases			3	3	3	3	3
Rated operating voltage	U_{LN}	V	380 V - 10 % - 480 V + 10 %, 50/60 Hz 342 - 528 V ± 0 %, 48 - 62 Hz ± 0 %				
Input current (phase current)	I_{LN}	A	3.5	5.6	5.6	7.5	11.5
Minimum braking resistance	R_B	Ω	–	–	250	200	120
Switching frequency (pulse frequency)							
Default Setting	f_{PWM}	kHz	16	16	16	16	16
Setting range	f_{PWM}	kHz	4 - 32	4 - 32	4 - 32	4 - 32	4 - 32
Voltage Boost (U_{Boost}/U_{LN})							
Default Setting		%	3	3	2.5	2.5	2.5
Max Value		%	25	25	20	20	20
Maximum leakage current to earth (touch current), at U_{LN} : 400 V, without motor	I_{Touch}	mA	13	13	12.6	12.6	12.6
Efficiency	η		0.92	0.95	0.95	0.95	0.97
Heat dissipation							
At I_e (150%)	P_V	CO	33.75	66.5	66.5	101.2	136
During no-load running, standby (locked, without fan)	P_V	CO	4.55	4.55	6.44	6.44	6.44
fan, built-in			✓	✓	✓	✓	✓
Size			FS1	FS1	FS2	FS2	FS2

DC1-34...device series

Continue

Size	Symbol	Unit	014	018	024	030	039	046
Rated operational current	I_e	A	14	18	24	30	39	46
Overload current for 60 s every 600 s	i_l	A	21	27	36	45	58.5	69
Overload current for 3.75 s every 600 s	i_l	A	24.5	31.5	42	52.5	68.25	80.5
Apparent power at rated operation 230 V	S	kVA	9.67	12.47	16.63	20.76	26.99	31.83
Apparent power at rated operation 240 V	S	kVA	11.64	14.96	19.95	24.91	32.39	38.20
Assigned motor power								
at 230 V, 50 Hz	P	kW	5.5	7.5	11	15	18.5	22
at 220 - 240 V, 60 Hz	P	HP	7.5	10	15	20	25	30
Power side (primary side):								
Number of phases			3	3	3	3	3	3
Rated operating voltage	U_{LN}	V	380 V - 10 % - 480 V + 10 %, 50/60 Hz 342 - 528 V ± 0 %, 48 - 62 Hz ± 0 %					
Input current (phase current)	I_{LN}	A	17.2	21.2	27.5	34.2	44.1	51.9
Minimum braking resistance	R_B	Ω	100	80	50	30	22	22
Switching frequency (pulse frequency)								
Default Setting	f_{PWM}	kHz	8	8	8	8	8	8
Setting range	f_{PWM}	kHz	4 - 24	4 - 24	4 - 24	4 - 24	4 - 24	4 - 24
Voltage Boost (U_{Boost}/U_{LN})								
Default Setting		%	2	2	2	2	1.5	1.5
Max Value		%	15	15	15	10	10	10
Maximum leakage current to earth (touch current), at U_{LN} : 400 V, without motor	I_{Touch}	mA	12.7	12.7	12.7	12.9	12.9	12.9
Efficiency	η		0.96	0.97	0.97	0.97	0.97	0.96
Heat dissipation								
At I_e (150%)	P_V	CO	223	304	446	607	728	801
During no-load running, standby (locked, without fan)	P_V	CO	6.42	6.42	6.52	14.6	14.6	14.6
fan, built-in			✓	✓	✓	✓	✓	✓
Size			FS3	FS3	FS3	FS4	FS4	FS4

6 Technical Data

6.3 Dimensions

6.3 Dimensions

6.3.1 Sizes FS1 to FS3 in IP20

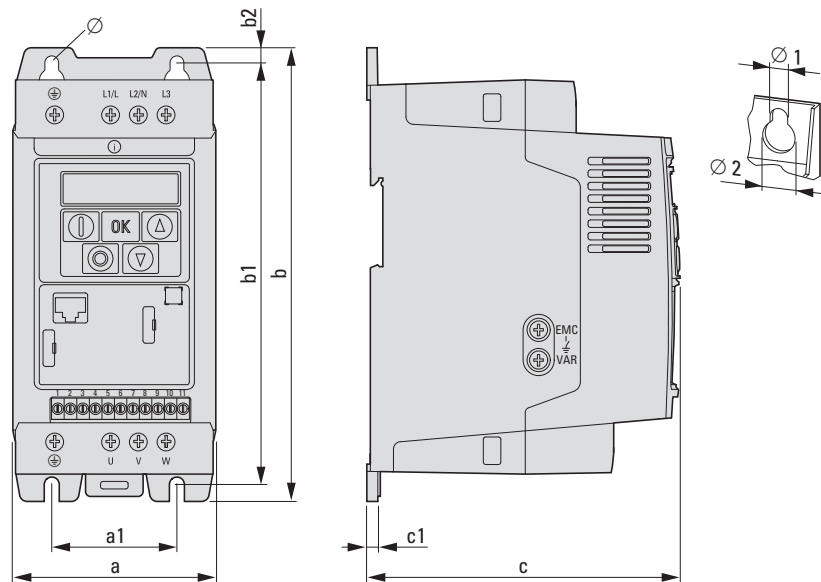


Figure 76: Dimensions for DC1 with IP20 degree of protection (NEMA 0)

Table 30: Dimensions, weights, and sizes for IP20

Size	a mm (in)	a1 mm (in)	b mm (in)	b1 mm (in)	b2 mm (in)	c mm (in)	c1 mm (in)	Ø1 mm (in)	Ø2 mm (in)	m kg (lbs)
FS1	81 (3.19)	50 (1.97)	184 (7.24)	170 (6.69)	7 (0.28)	124 (4.88)	4 (0.16)	6 (0.25)	12 (0.47)	1.1 (2.4)
FS2	107 (4.21)	75 (2.95)	231 (9.09)	215 (8.46)	8 (0.31)	152 (5.98)	5 (0.2)	6 (0.25)	12 (0.47)	2.6 (5.7)
FS3	131 (5.16)	100 (3.94)	273 (10.75)	255 (10.04)	8.5 (0.33)	175 (6.89)	5 (0.2)	6 (0.25)	12 (0.47)	4 (8.8)

1 in = 1" = 25.4 mm, 1 mm = 0.0394 in

6.3.2 Size FS4 in IP20

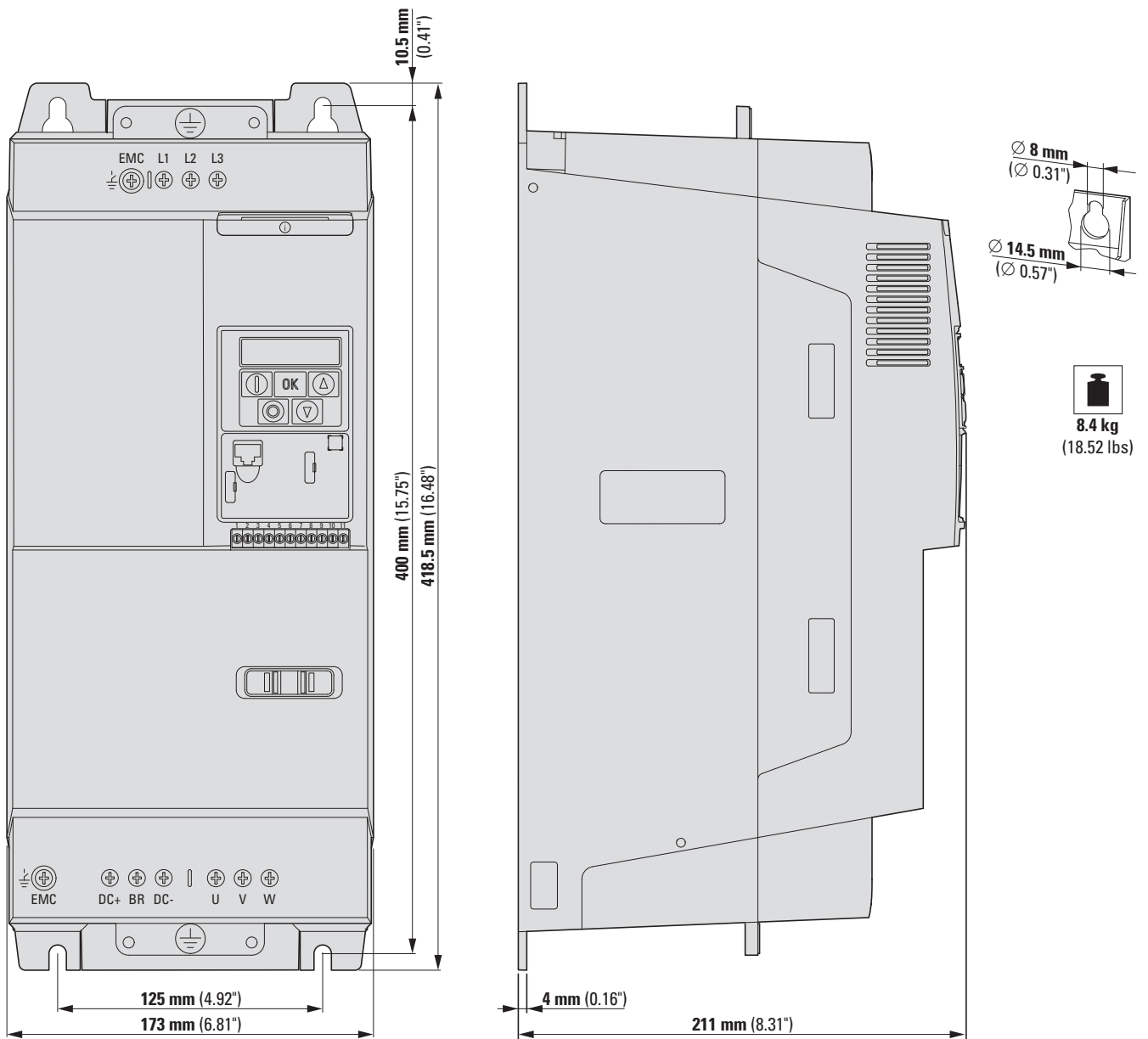


Figure 77: Dimensions and weight for DC1 with frame size of FS4 and IP20 (NEMA 0) degree of protection

6 Technical Data

6.3 Dimensions

6.3.3 Sizes FS1 to FS3 in IP66

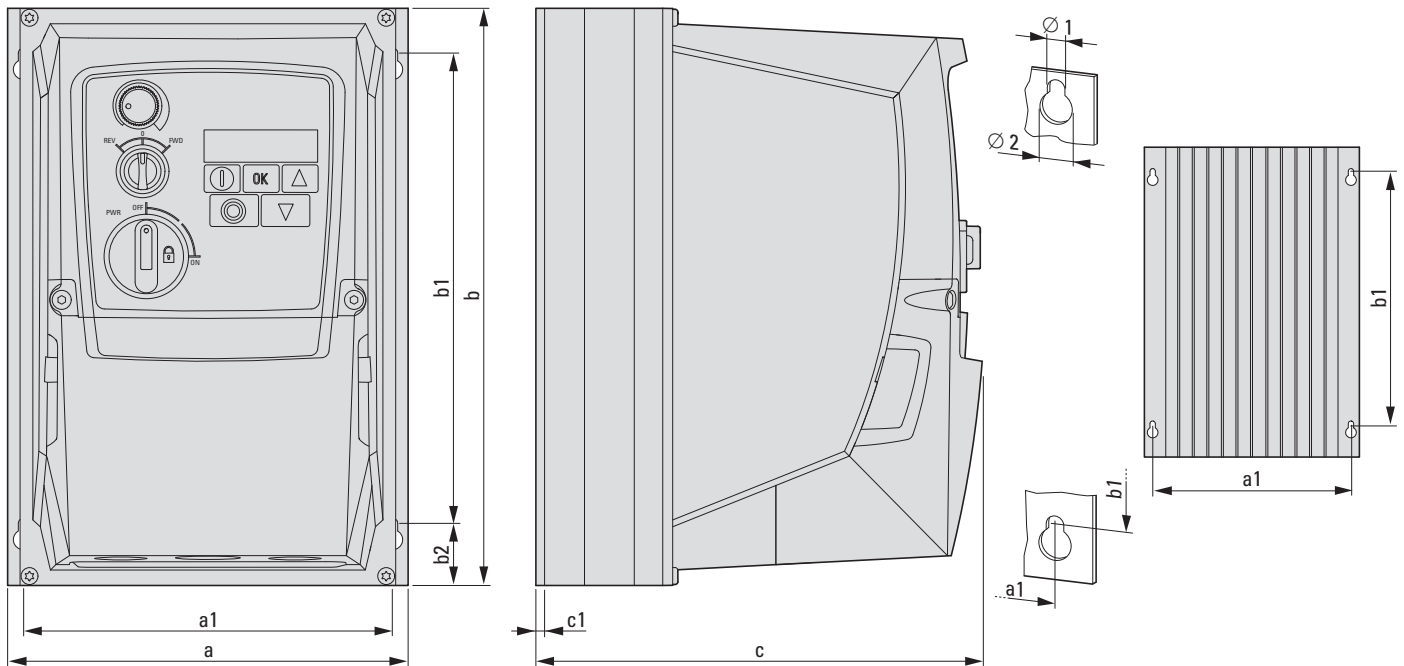


Figure 78: Dimensions for DC1 with IP66 degree of protection (NEMA 4X)

Table 31: Dimensions, weights, and sizes for IP66

Size	a	a1	b	b1	b2	c	c1	Ø1	Ø2	m
	mm (in)	mm (in)	mm (in)	mm (in)	mm (in)	mm (in)	mm (in)	mm (in)	mm (in)	kg (lbs)
FS1	161 (6.34)	148.5 (5.85)	232 (9.13)	189 (7.44)	25 (0.98)	184 (7.24)	3.5 (0.14)	4 (0.15)	8 (0.31)	2.8 (6.17)
FS2	188 (7.4)	176 (6.93)	257 (10.12)	200 (7.87)	28 (1.1)	192 (7.56)	3.5 (0.14)	4.2 (0.16)	8.5 (0.33)	5 (11.02)
FS3	210 (8.27)	197.5 (7.78)	310 (12.2)	252 (9.92)	33 (1.3)	240 (9.45)	3.5 (0.14)	4.2 (0.16)	8.5 (0.33)	8.2 (18.08)

1 in = 1" = 25.4 mm, 1 mm = 0.0394 in

6.4 Cable cross-sections

The "Maximum terminal capacity" specification indicates the maximum possible sizes that can be connected to the power terminals. The cross-sectional areas and gauges that should be used for the power supply and motor connections are recommendations for the corresponding frame sizes and ratings and are provided as examples.



Use the general installation instructions and local conditions as a basis when selecting terminal capacities.

Table 32: Cable cross-sections

Device Type	Size	Maximum terminal capacity		Input current I_{LN} A	Cross-sectional area/ gauge that should be used for the power supply (L1/L, L2/N, L3, PE)		Output current (rated operational current) I_e A	Cross-sectional area/ gauge that should be used for the motor connection (U, V, W, PE)	
		mm ²	AWG/ kcmil ¹⁾		mm ²	AWG/ kcmil ¹⁾		mm ²	AWG/ kcmil ¹⁾
Mains voltage 115 V									
Supply voltage (50/60 Hz) U_{LN} 110 (-10 %) - 115 (+10 %) V									
U_e 115 V AC, single-phase / U_2 230 V AC, three-phase (internal voltage doubler)									
DC1-1D2D3...	FS1	8	8	7.8	2.5	14	2.3	1.5	14
DC1-1D4D3...	FS1	8	8	15.8	4	10	4.3	1.5	14
DC1-1D5D8...	FS2	8	8	21.9	6	8	5.8	1.5	14
Mains voltage 230 V									
Supply voltage (50/60 Hz) U_{LN} 200 (-10 %) - 240 (+10 %) V									
U_e 230 V AC, single-phase / U_2 230 V AC, three-phase									
DC1-122D3...	FS1	8	8	3.7	1.5	14	2.3	1.5	14
DC1-124D3...	FS1	8	8	7.5	1.5	14	4.3	1.5	14
DC1-127D0NN...	FS1	8	8	12.9	2.5	12	7	1.5	14
DC1-127D0FN...	FS1	8	8	12.9	2.5	12	7	1.5	14
DC1-127D0NB...	FS2	8	8	12.9	2.5	12	7	1.5	14
DC1-127D0FB...	FS2	8	8	12.9	2.5	12	7	1.5	14
DC1-12011...	FS2	8	8	19.2	4	10	10.5	1.5	14
DC1-12015...	FS3	8	8	29.2	4	8	15.3	2.5	12

6 Technical Data

6.4 Cable cross-sections

Device Type	Size	Maximum terminal capacity		Input current I_{LN} A	Cross-sectional area/ gauge that should be used for the power supply (L1/L, L2/N, L3, PE)		Output current (rated operational current) I_e A	Cross-sectional area/ gauge that should be used for the motor connection (U, V, W, PE)	
		mm ²	AWG/ kcmil ¹⁾		mm ²	AWG/ kcmil ¹⁾		mm ²	AWG/ kcmil ¹⁾
Mains voltage 230 V									
Supply voltage (50/60 Hz) U_{LN} 200 (-10 %) - 240 (+10 %) V									
U_e 230 V AC, three-phase / U_2 230 V AC, three-phase									
DC1-322D3...	FS1	8	8	3.4	1.5	14	2.3	1.5	14
DC1-324D3...	FS1	8	8	5.6	1.5	14	4.3	1.5	14
DC1-327D0NN...	FS1	8	8	9.5	1.5	14	7	1.5	14
DC1-327D0NB...	FS2	8	8	8.9	1.5	14	7	1.5	14
DC1-327D0FB...	FS2	8	8	8.9	1.5	14	7	1.5	14
DC1-32011...	FS2	8	8	12.1	2.5	12	10.5	1.5	14
DC1-32018...	FS3	8	8	20.9	6	10	18	2.5	10
DC1-32024...	FS3	8	8	26.4	10	8	24	4	10
DC1-32030...	FS4	16	5	33.3	16	8	30	6	8
DC1-32046...	FS4	16	5	50.1	16	6	46	10	6
Mains voltage 400 V									
Supply voltage (50/60 Hz) U_{LN} 380 (-10 %) - 480 (+10 %) V									
U_e 400 V AC, three-phase / U_2 400 V AC, three-phase									
DC1-342D2...	FS1	8	8	3.5	1.5	14	2.2	1.5	14
DC1-344D1NN...	FS1	8	8	5.6	1.5	14	4.1	1.5	14
DC1-344D1FN...	FS1	8	8	5.6	1.5	14	4.1	1.5	14
DC1-344D1NB...	FS2	8	8	5.6	1.5	14	4.1	1.5	14
DC1-344D1FB...	FS2	8	8	5.6	1.5	14	4.1	1.5	14
DC1-345D8...	FS2	8	8	7.5	1.5	14	5.8	1.5	14
DC1-349D5...	FS2	8	8	11.5	2.5	12	9.5	1.5	14
DC1-34014...	FS3	8	8	17.2	4	10	14	1.5	14
DC1-34018...	FS3	8	8	21.2	4	10	18	2.5	10
DC1-34024...	FS3	8	8	27.5	8	8	24	4	10
DC1-34030...	FS4	16	5	34.2	16	8	30	6	8
DC1-34039...	FS4	16	5	44.1	16	6	39	10	8
DC1-34046...	FS4	16	5	51.9	16	5	46	10	6

1) AWG = American wire gauge

kcmil = Thousands of circular mils (1 kcmil = 0.5067 mm²)

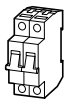
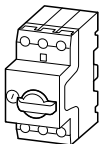


2) Maximum motor cable length: 200 m

When using screened motor cables with a length greater than 100 m (up to 200 m), a motor choke must be used (dv/dt limiting).

6.5 Fuses

The Eaton circuit-breakers and fuses listed below are examples and can be used without additional measures. If you use other circuit-breakers and/or fuses, make sure to take their protection characteristic and operational voltage into account. When using other circuit-breakers, it may be necessary to also use fuses depending on the circuit-breaker's model, design, and settings. There may also be limitations concerning the short-circuit capacity and the supply network's characteristic, and these must also be taken into account when selecting circuit-breakers and/or fuses.

Table 33: Protective devices

Symbol	Description
<p>①</p> 	<p>Miniature circuit breakers FAZ-B.../1N: 1 pole + N FAZ-B.../2: 2 pole FAZ-B.../3: 3 pole Rated operating voltage: 230/400 V AC Switching capacity: 15 kA</p>
<p>②</p> 	<p>Motor-Protective Circuit-Breakers PKM0..., PKZM4...: 3 pole Rated operating voltage: 690 V AC Switching capacity: <ul style="list-style-type: none"> • PKM0: 150 kA to 12 A and 50 kA to 32 A • PKZM4: 50 kA </p>
<p>③</p> 	<p>Fuse Rated operating voltage: 500 V AC Switching capacity: 50 kA Size: DII, E27 / DIII, E33 Fuse base: S27... / S33...</p>
<p>④</p> 	<p>Fuse Class J Rated operating voltage: 600 V AC Switching capacity: 300 kA Fuse bases: <ul style="list-style-type: none"> • up to 30 A: J60030... • 35 - 60 A: J60060... • 70 - 100 A: JM60100... </p>

6 Technical Data

6.5 Fuses

Table 34: Specified fuses

Device Type	Input current I_{LN} A	Fuse or miniature circuit-breaker					
		IEC (Type B or gG) A		Eaton type		UL (Class CC or J) ¹⁾ A	
Mains voltage 115 V							
Supply voltage (50/60 Hz) U_{LN} 110 (-10 %) - 115 (+10 %) V							
U_e 115 V AC, single-phase / U_2 230 V AC, three-phase (internal voltage doubler)							
			①	①, 2 phase	④		⑤
DC1-1D2D3...	7.8	10	FAZ-B10/1N	FAZ-B10/2	10D27	10	LPJ-10SP
DC1-1D4D3...	15.8	25	FAZ-B25/1N	FAZ-B25/2	25D27	20	LPJ-25SP
DC1-1D5D8...	21.9	32	FAZ-B32/1N	FAZ-B32/2	35D33	30	LPJ-30SP
Mains voltage 230 V							
Supply voltage (50/60 Hz) U_{LN} 200 (-10 %) - 240 (+10 %) V							
U_e 230 V AC, single-phase / U_2 230 V AC, three-phase							
			①	①, 2 phase	④		⑤
DC1-122D3...	3.7	10	FAZ-B10/1N	FAZ-B10/2	10D27	6	LPJ-6SP
DC1-124D3...	7.5	10	FAZ-B10/1N	FAZ-B10/2	10D27	10	LPJ-10SP
DC1-127D0NN...	12.9	16	FAZ-B16/1N	FAZ-B16/2	16D27	17.5	LPJ-17-1-2SP
DC1-127D0FN...	12.9	16	FAZ-B16/1N	FAZ-B16/2	16D27	17.5	LPJ-17-1-2SP
DC1-127D0NB...	12.9	16	FAZ-B16/1N	FAZ-B16/2	16D27	17.5	LPJ-17-1-2SP
DC1-127D0FB...	12.9	16	FAZ-B16/1N	FAZ-B16/2	16D27	17.5	LPJ-17-1-2SP
DC1-12011...	19.2	25	FAZ-B25/1N	FAZ-B25/2	25D27	25	LPJ-25SP
DC1-12015...	29.2	40	FAZ-B40/1N	FAZ-B40/2	40D33	40	LPJ-40SP
Mains voltage 230 V							
Supply voltage (50/60 Hz) U_{LN} 200 (-10 %) - 240 (+10 %) V							
U_e 230 V AC, three-phase / U_2 230 V AC, three-phase							
			①	②	③		④
DC1-322D3...	3.4	6	FAZ-B6/3	PKM0-6.3	6D27	6	LPJ-6SP
DC1-324D3...	5.6	10	FAZ-B10/3	PKM0-10	10D27	10	LPJ-10SP
DC1-327D0NN...	9.5	16	FAZ-B16/3	PKM0-16	16D27	15	LPJ-15SP
DC1-327D0NB...	8.9	16	FAZ-B16/3	PKM0-16	16D27	15	LPJ-15SP
DC1-327D0FB...	8.9	16	FAZ-B16/3	PKM0-16	16D27	15	LPJ-15SP
DC1-32011...	12.1	16	FAZ-B16/3	PKM0-16	16D27	17.5	LPJ-17-1-2SP
DC1-32018...	20.9	32	FAZ-B32/3	PKM0-32	35D33	30	LPJ-30SP
DC1-32024...	26.4	40	FAZ-B40/3	PKZM4-40	35D33	35	LPJ-35SP
DC1-32030...	33.3	40	FAZ-B40/3	PKZM4-40	50D33	45	LPJ-45SP
DC1-32046...	50.1	63	FAZ-B63/3	PKZM4-63	63D33	70	LPJ-70SP

1) Maximum supply short-circuit current: 100 kA rms (AC)

Device Type	Input current I_{LN} A	Fuse or miniature circuit-breaker					
		IEC (Type B or gG)				UL (Class CC or J) ¹⁾	
		A	Eaton type	A	Eaton type	A	Eaton type

Mains voltage 400 V

Supply voltage (50/60 Hz) U_{LN} 380 (-10 %) - 480 (+10 %) V

U_e 400 V AC, three-phase / U_2 400 V AC, three-phase

			①	②	③		④
DC1-342D2...	3.5	6	FAZ-B6/3	PKM0-6.3	6D27	6	LPJ-6SP
DC1-344D1NN...	5.6	10	FAZ-B10/3	PKM0-10	10D27	10	LPJ-10SP
DC1-344D1FN...	5.6	10	FAZ-B10/3	PKM0-10	10D27	10	LPJ-10SP
DC1-344D1NB...	5.6	10	FAZ-B10/3	PKM0-10	10D27	10	LPJ-10SP
DC1-344D1FB...	5.6	10	FAZ-B10/3	PKM0-10	10D27	10	LPJ-10SP
DC1-345D8...	7.5	16	FAZ-B16/3	PKM0-16	16D27	10	LPJ-10SP
DC1-349D5...	11.5	16	FAZ-B16/3	PKM0-16	16D27	15	LPJ-15SP
DC1-34014...	17.2	25	FAZ-B25/3	PKM0-25	25D33	25	LPJ-25SP
DC1-34018...	21.2	32	FAZ-B32/3	PKM0-32	35D33	30	LPJ-30SP
DC1-34024...	27.5	40	FAZ-B40/3	PKZM4-40	40D33	35	LPJ-35SP
DC1-34030...	34.2	40	FAZ-B40/3	PKZM4-40	40D33	45	LPJ-45SP
DC1-34039...	44.1	50	FAZ-B50/3	PKZM4-50	50D33	60	LPJ-45SP
DC1-34046...	51.9	63	FAZ-B63/3	PKZM4-63	63D33	70	LPJ-70SP

1) Maximum supply short-circuit current: 100 kA rms (AC)

6.6 Mains contactors



The mains contactors listed here are based on the variable frequency drive's rated input-side mains current I_{LN} without an external mains choke.

The contactor should be selected based on thermal current $I_{th} = I_e$ (AC-1) at the specified ambient air temperature.

NOTICE

The inching operation is not permissible via the mains contactor (Pause time ≥ 30 s between switching off and on).

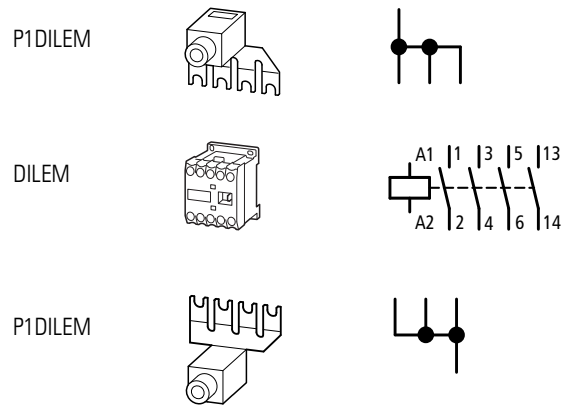


Figure 79: Mains contactor at single-phase connection (DC1-12...)

Table 35: Mains contactors

Device Type	Input current I_{LN} A	Mains contactor (thermal current AC-1)			
		Type (max. 50 °C and IEC)		Type (max. 40 °C and UL)	
			A		A
Mains voltage 115 V					
Supply voltage (50/60 Hz) U_{LN} 110 (-10 %) - 115 (+10 %) V					
U_0 115 V AC, single-phase / U_2 230 V AC, three-phase (internal voltage doubler)					
DC1-1D2D3...	7.8	DILEM-...+P1DILEM	50	DILEM-...+P1DILEM	50
DC1-1D4D3...	15.8	DILEM-...+P1DILEM	50	DILEM-...+P1DILEM	50
DC1-1D5D8...	21.9	DILEM-...+P1DILEM	50	DILEM-...+P1DILEM	50
Mains voltage 230 V					
Supply voltage (50/60 Hz) U_{LN} 200 (-10 %) - 240 (+10 %) V					
U_0 230 V AC, single-phase / U_2 230 V AC, three-phase					
DC1-122D3...	3.7	DILEM-...+P1DILEM	50	DILEM-...+P1DILEM	50
DC1-124D3...	7.5	DILEM-...+P1DILEM	50	DILEM-...+P1DILEM	50
DC1-127D0NN...	12.9	DILEM-...+P1DILEM	50	DILEM-...+P1DILEM	50
DC1-127D0FN...	12.9	DILEM-...+P1DILEM	50	DILEM-...+P1DILEM	50
DC1-127D0NB...	12.9	DILEM-...+P1DILEM	50	DILEM-...+P1DILEM	50
DC1-127D0FB...	12.9	DILEM-...+P1DILEM	50	DILEM-...+P1DILEM	50
DC1-12011...	19.2	DILEM-...+P1DILEM	50	DILEM-...+P1DILEM	50
DC1-12015...	29.2	DILEM-...+P1DILEM	50	DILEM-...+P1DILEM	50
Mains voltage 230 V					
Supply voltage (50/60 Hz) U_{LN} 200 (-10 %) - 240 (+10 %) V					
U_0 230 V AC, three-phase / U_2 230 V AC, three-phase					
DC1-322D3...	3.4	DILEM-...	20	DILEM-...	20
DC1-324D3...	5.6	DILEM-...	20	DILEM-...	20
DC1-327D0NN...	9.5	DILEM-...	20	DILEM-...	20
DC1-327D0NB...	8.9	DILEM-...	20	DILEM-...	20
DC1-327D0FB...	8.9	DILEM-...	20	DILEM-...	20
DC1-32011...	12.1	DILEM-...	20	DILEM-...	20
DC1-32018...	20.9	DILM7-...	21	DILM7-...	22
DC1-32024...	26.4	DILM17-...	38	DILM17-...	40
DC1-32030...	33.3	DILM17-...	38	DILM17-...	40
DC1-32046...	50.1	DILM40-...	57	DILM40-...	60

6 Technical Data

6.6 Mains contactors

Device Type	Input current I_{LN} A	Mains contactor (thermal current AC-1)			
		Type (max. 50 °C and IEC)		Type (max. 40 °C and UL)	
Mains voltage 400 V					
Supply voltage (50/60 Hz) U_{LN} 380 (-10 %) - 480 (+10 %) V					
U_e 400 V AC, three-phase / U_2 400 V AC, three-phase					
DC1-342D2...	3.5	DILEM-...	20	DILEM-...	20
DC1-344D1NN...	5.6	DILEM-...	20	DILEM-...	20
DC1-344D1FN...	5.6	DILEM-...	20	DILEM-...	20
DC1-344D1NB...	5.6	DILEM-...	20	DILEM-...	20
DC1-344D1FB...	5.6	DILEM-...	20	DILEM-...	20
DC1-345D8...	7.5	DILEM-...	20	DILEM-...	20
DC1-349D5...	11.5	DILEM-...	20	DILEM-...	20
DC1-34014...	17.2	DILEM-...	20	DILEM-...	20
DC1-34018...	21.2	DILM7-...	21	DILM7-...	22
DC1-34024...	27.5	DILM17-...	38	DILM17-...	40
DC1-34030...	34.2	DILM17-...	38	DILM17-...	40
DC1-34039...	44.1	DILM40-...	57	DILM25-...	45
DC1-34046...	51.9	DILM40-...	57	DILM40-...	60

6.7 Mains chokes



For more information and technical data on DX-LN... mains chokes, please refer to instruction leaflet IL00906003Z.

DX-LN1...

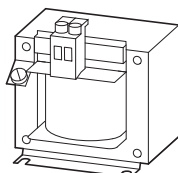


Figure 80: DEX-LN1... mains chokes (single-phase)

Table 36: Assigned mains chokes (single-phase)

Device Type	Input current I_{LN} A	Mains choke, single-phase (U_{LN} max. 260 V +10 %, 50/60 Hz \pm 10 %)			
		Type (max. 50 °C)		Type (max. 40 °C)	
			I_e A		I_e A
Mains voltage 115 V					
Supply voltage (50/60 Hz) U_{LN} 110 (-10 %) - 115 (+10 %) V					
U_e 115 V AC, single-phase / U_2 230 V AC, three-phase (internal voltage doubler)					
DC1-1D2D3...	7.8	DX-LN1-009	8.1	DX-LN1-009	8.6
DC1-1D4D3...	15.8	DX-LN1-018	17.1	DX-LN1-018	18
DC1-1D5D8...	21.9	DX-LN1-024	22.8	DX-LN1-024	24
Mains voltage 230 V					
Supply voltage (50/60 Hz) U_{LN} 200 (-10 %) - 240 (+10 %) V					
U_e 230 V AC, single-phase / U_2 230 V AC, three-phase					
DC1-122D3...	3.7	DX-LN1-006	5.5	DX-LN1-006	5.8
DC1-124D3...	7.5	DX-LN1-009	8.1	DX-LN1-009	8.6
DC1-127D0...	12.9	DX-LN1-018	17.1	DX-LN1-013	13
DC1-12011...	19.2	DX-LN1-024	22.8	DX-LN1-024	24
DC1-12015...	29.2	DX-LN1-032	30.4	DX-LN1-032	32

DX-LN3...

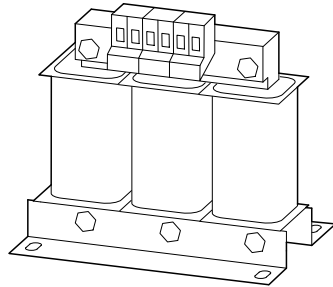


Figure 81: Mains chokes DEX-LN3... (three-phase)

Table 37: Assigned mains chokes (three-phase)

Device Type	Input current I_{LN} A	Mains choke, three-phase (U_{LN} max. 500 V +10 %, 50/60 Hz \pm 10 %)			
		Type (max. 50 °C)		Type (max. 40 °C)	
			I_e A		I_e A
Mains voltage 230 V					
Supply voltage (50/60 Hz) U_{LN} 200 (-10 %) - 240 (+10 %) V					
U_e 230 V AC, three-phase / U_2 230 V AC, three-phase					
DC1-322D3...	3.4	DX-LN3-004	3.7	DX-LN3-004	3.9
DC1-324D3...	5.6	DX-LN3-006	5.7	DX-LN3-006	6
DC1-327D0...	9.5	DX-LN3-010	9.5	DX-LN3-010	10
DC1-32011...	12.1	DX-LN3-016	15.2	DX-LN3-016	16
DC1-32018...	20.9	DX-LN3-025	23.7	DX-LN3-025	25
DC1-32024...	26.4	DX-LN3-040	38	DX-LN3-040	40
DC1-32030...	33.3	DX-LN3-040	38	DX-LN3-040	40
DC1-32046...	50.1	DX-LN3-060	57	DX-LN3-050	50
Mains voltage 400 V					
Supply voltage (50/60 Hz) U_{LN} 380 (-10 %) - 480 (+10 %) V					
U_e 400 V AC, three-phase / U_2 400 V AC, three-phase					
DC1-342D2...	3.5	DX-LN3-004	3.7	DX-LN3-004	3.9
DC1-344D1...	5.6	DX-LN3-006	5.7	DX-LN3-006	6
DC1-345D8...	7.5	DX-LN3-010	9.5	DX-LN3-010	10
DC1-349D5...	11.5	DX-LN3-016	15.2	DX-LN3-016	16
DC1-34014...	17.2	DX-LN3-025	23.7	DX-LN3-025	25
DC1-34018...	21.2	DX-LN3-025	23.7	DX-LN3-025	25
DC1-34024...	27.5	DX-LN3-040	38	DX-LN3-040	40
DC1-34030...	34.2	DX-LN3-040	38	DX-LN3-040	40
DC1-34039...	44.1	DX-LN3-050	47.5	DX-LN3-050	50
DC1-34046...	51.9	DX-LN3-060	57	DX-LN3-060	60

6.8 Radio interference suppression filter

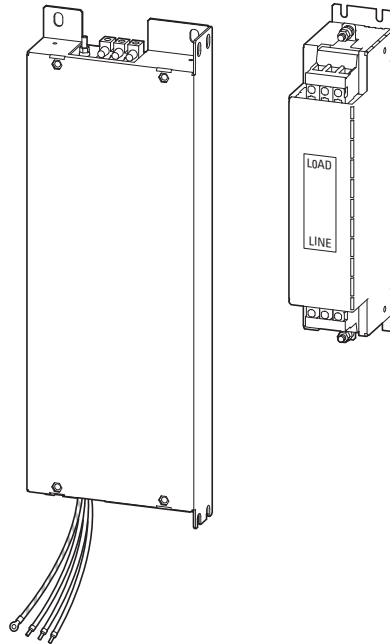


Figure 82: DX-EMC...-FS... (base-mounted filters with prefabricated connection cables) and DX-EMC... (side-mounting filters) external radio interference suppression filters

DX-EMC... external radio interference suppression filters should always be installed in the immediate proximity of the corresponding variable frequency drive. The connection cables between the radio interference suppression filter and the variable frequency drive should not be longer than 300 to 500 mm if they are installed without screening.

- ➔ The DX-EMC... radio interference suppression filters with an IP20 degree of protection listed below are intended for installation in a control panel. Please enquire for higher degrees of protection.
- ➔ DX-EMC...-**FS**: Base-mounted filter for the specified frame size
DX-EMC...-**L**: Low leakage current
- ➔ For more information and technical data on DX-EMC... radio interference suppression filters, please refer to the instruction leaflets IL04012017Z and IL04012018Z.
- ➔ The maximum motor cable lengths for the C1, C2, and C3 interference categories listed below are standardized recommended values. They apply to the adjustable switching frequencies (f_{PWM}) of 4 to 24/32 kHz (parameter P-17) in the corresponding ratings.

6 Technical Data

6.8 Radio interference suppression filter

Table 38: Assigned radio interference suppression filter (single-phase)

Device Type	Size	Input current I_{LN} A	Radio interference suppression filter, single-phase Max. mains voltage U_{LN} : 250 V +0%, 50/60 Hz \pm 10% Max. ambient temperature: 50 °C					
			Part no.	rated operational current I_e A	Leakage current (IEC38, \pm 10 %) I_{PE} mA	Maximum motor cable length based on RFI class		
						C1 l m A	C2 l m A	C3 l m A
Mains voltage 115 V								
Supply voltage (50/60 Hz) U_{LN} 110 (-10 %) - 115 (+10 %) V								
U_e 115 V AC, single-phase / U_2 230 V AC, three-phase (internal voltage doubler)								
DC1-1D2D3NN-A20CE1	FS1	7.8	DX-EMC12-014-FS1	14	8	25	75	100
DC1-1D4D3NN-A20CE1	FS1	15.8	DX-EMC12-019-FS1	19	8	25	75	100
DC1-1D5D8NB-A20CE1	FS2	21.9	DX-EMC12-025-FS2	25	8	25	75	100
Mains voltage 230 V								
Supply voltage (50/60 Hz) U_{LN} 200 (-10 %) - 240 (+10 %) V								
U_e 230 V AC, single-phase / U_2 230 V AC, three-phase								
DC1-122D3NN-A20CE1	FS1	3.7	DX-EMC12-014-FS1	14	8	25	75	100
DC1-124D3NN-A20CE1	FS1	7.5	DX-EMC12-014-FS1	14	8	25	75	100
DC1-127D0NN-A20CE1	FS1	12.9	DX-EMC12-014-FS1	14	8	25	75	100
DC1-127D0NB-A20CE1	FS2	12.9	DX-EMC12-014-FS2	14	8	25	75	100
DC1-12011NB-A20CE1	FS2	19.2	DX-EMC12-025-FS2	25	8	25	75	100
DC1-12015NB-A20CE1	FS3	29.2	DX-EMC12-031-FS3	31	8	25	75	100

Table 39: Assigned radio interference suppression filter (three-phase)

Device Type	Size	Input current I_{LN} A	Radio interference suppression filter, three-phase Max. mains voltage U_{LN} : 520 V +0%, 50/60 Hz $\pm 10\%$ Max. ambient temperature: 50 °C					
			Part no.	rated operational current I_e A	Leakage current (IEC38, $\pm 10\%$) I_{PE} mA	Maximum motor cable length based on RFI class		
						C1 l m A	C2 l m A	C3 l m A
Mains voltage 230 V								
Supply voltage (50/60 Hz) U_{LN} 200 (-10 %) - 240 (+10 %) V								
U_e 230 V AC, three-phase / U_2 230 V AC, three-phase								
DC1-322D3NN-A20CE1	FS1	3.4	DX-EMC34-008-FS1	8	21	25	50	50
			DX-EMC34-008-FS1-L	8	6	25	100	150
			DX-EMC34-008	8	21	25	50	75
			DX-EMC34-008-L	8	6	5	25	50
DC1-324D3NN-A20CE1	FS1	5.6	DX-EMC34-008-FS1	8	21	25	50	50
			DX-EMC34-008-FS1-L	8	6	25	100	175
			DX-EMC34-008	8	21	25	50	75
			DX-EMC34-008-L	8	6	5	25	50
DC1-327D0NN-A20CE1	FS1	9.5	DX-EMC34-016	16	21	25	75	125
			DX-EMC34-016-L	16	6	15	25	50
DC1-327D0NB-A20CE1	FS2	8.9	DX-EMC34-011-FS2	11	21	50	75	75
			DX-EMC34-011-FS2-L	11	6	25	100	175
			DX-EMC34-016	16	21	25	50	75
			DX-EMC34-016-L	16	6	15	25	50
DC1-32011NB-A20CE1	FS2	12.1	DX-EMC34-016	16	21	25	75	100
			DX-EMC34-016-L	16	6	15	25	50
DC1-32018NB-A20CE1	FS3	20.9	DX-EMC34-025-FS3	25	29	50	100	125
			DX-EMC34-025-FS3-L	25	6.5	25	50	75
			DX-EMC34-030	30	29	25	50	75
			DX-EMC34-030-L	30	6.5	5	25	50
DC1-32024NB-A20CE1	FS3	26.4	DX-EMC34-030	30	29	25	50	75
			DX-EMC34-030-L	30	6.5	5	25	50
DC1-32030NB-A20CE1	FS4	33.3	DX-EMC34-042	42	29	25	50	75
			DX-EMC34-042-L	42	6.5	5	25	50
DC1-32046NB-A20CE1	FS4	50.1	DX-EMC34-055	55	29	25	50	75
			DX-EMC34-055-L	55	6.5	5	25	50

6 Technical Data

6.8 Radio interference suppression filter

Device Type	Size	Input current I_{LN} A	Radio interference suppression filter, three-phase Max. mains voltage U_{LN} : 520 V +0%, 50/60 Hz $\pm 10\%$ Max. ambient temperature: 50 °C					
			Part no.	rated operational current I_e A	Leakage current (IEC38, $\pm 10\%$) I_{PE} mA	Maximum motor cable length based on RFI class		
						C1 l m A	C2 l m A	C3 l m A
Mains voltage 400 V								
Supply voltage (50/60 Hz) U_{LN} 380 (-10 %) - 480 (+10 %) V								
U_e 400 V AC, three-phase / U_2 400 V AC, three-phase								
DC1-342D2NN-A20CE1	FS1	3.5	DX-EMC34-008-FS1	8	21	25	100	150
			DX-EMC34-008-FS1-L	8	6	15	50	50
			DX-EMC34-008	8	21	25	100	150
			DX-EMC34-008-L	8	6	15	50	50
DC1-344D1NN-A20CE1	FS1	5.6	DX-EMC34-008-FS1	8	21	25	100	150
			DX-EMC34-008-FS1-L	8	6	15	50	50
			DX-EMC34-008	8	21	25	100	150
			DX-EMC34-008-L	8	6	15	50	50
DC1-344D1NB-A20CE1	FS2	5.6	DX-EMC34-011-FS2	11	21	75	125	175
			DX-EMC34-011-FS2-L	11	6	50	75	75
			DX-EMC34-008	8	21	25	100	150
			DX-EMC34-008-L	8	6	15	50	50
DC1-345D8NB-A20CE1	FS2	7.5	DX-EMC34-011-FS2	11	21	25	100	150
			DX-EMC34-011-FS2-L	11	6	15	50	50
			DX-EMC34-008	8	21	25	100	150
			DX-EMC34-008-L	8	6	15	50	50
DC1-349D5NB-A20CE1	FS2	11.5	DX-EMC34-016	16	21	25	50	75
			DX-EMC34-016-L	16	6	5	25	50
DC1-34014NB-A20CE1	FS3	17.2	DX-EMC34-030	30	29	25	50	75
			DX-EMC34-030-L	30	6.5	5	25	50
DC1-34018NB-A20CE1	FS3	21.2	DX-EMC34-030	30	29	25	50	75
			DX-EMC34-030-L	30	6.5	5	25	50
DC1-34024NB-A20CE1	FS3	27.5	DX-EMC34-030	30	29	25	50	75
			DX-EMC34-030-L	30	6.5	5	25	50
DC1-34030NB-A20CE1	FS4	34.2	DX-EMC34-042	42	29	25	50	75
			DX-EMC34-042-L	42	6.5	5	25	50
DC1-34039NB-A20CE1	FS4	44.1	DX-EMC34-055	55	29	25	50	75
			DX-EMC34-055-L	55	6.5	5	25	50
DC1-34046NB-A20CE1	FS4	51.9	DX-EMC34-055	55	29	25	50	75
			DX-EMC34-055-L	55	6.5	5	25	50

6.9 Braking resistances

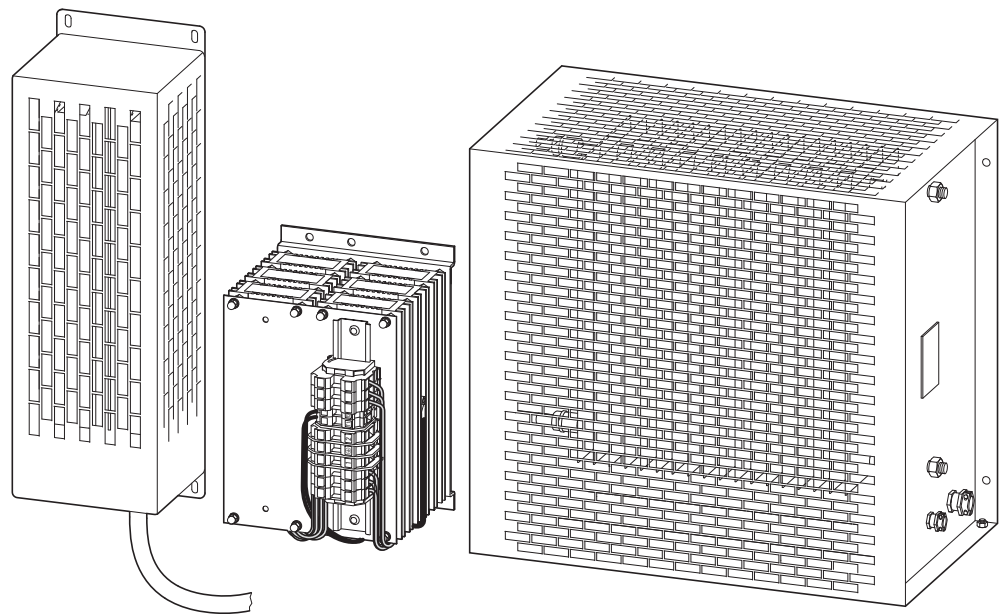


Figure 83: Examples of DX-BR... brake resistor designs

NOTICE

The specified minimum resistance R_{Bmin} must not be fallen below.



CAUTION

Brake resistors get extremely hot during operation!

The following tables provide examples of DX-BR... brake resistors rated for individual DC1 variable frequency drives. They are specified based on the "high duty" and "low duty" classification for intermittent braking with a cycle time t_C of 120 seconds and a pulse power P_{Peak} equal to maximum braking power P_{max} of the variable frequency drive with the rated motor output.

Load groups (simplified classification)

- **Low duty:** Low load with short braking duration and low duty factor (up to about 25 %), e.g., for horizontal conveyors and handling equipment for bulk cargo and general cargo, end carriages, sliding doors, and turbomachinery (centrifugal pumps, fans).
- **High duty:** High load with long braking duration and high duty factor (at least 30 %), e.g., for elevators, downhill conveyors, winders, centrifuges, flywheel motors, and large fans.

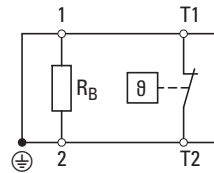
6 Technical Data

6.9 Braking resistances



All brake resistors feature a temperature switch for protection against thermal overload.

This potential-free contact (N/C) can be directly integrated into the DC1 variable frequency drive's control section and work as an external fault message (control terminal 10, DI5, parameter P9-08 = 5).



Exception:

The DX-BR3-100 resistor does not feature a circuit-breaker. It is inserted into the corresponding slots on the DC1 variable frequency drive's heat sinks (frame sizes FS2 and FS3) and is automatically protected against thermal overloads as a result (heat sink overtemperature, display: $\square - \text{t}$).



For more information and technical data on the DX-BR... brake resistors listed here, please refer to the corresponding instruction leaflet for the individual designs: IL04012024Z, IL04011ZU, IL04014ZU, IL04015ZU, and IL04021ZU.

6 Technical Data
6.9 Braking resistances

Table 40: Braking resistance – DC1 voltage class 230 V

Device Type	Resistance value				Braking resistance (Low duty)				Braking resistance (High duty)					
	Size	R _{Bmin} Ω	R _{Brec} Ω	P _{max} kW	Part no.	R _{Brec} Ω	P _{max} kW	DF %	t _{Brems} s	Part no.	R _{Brec} Ω	P _{max} kW	DF %	t _{Brems} s
Mains voltage 115 V														
Supply voltage (50/60 Hz) U_{LN} 110 (-10 %) - 115 (+10 %) V														
U_e 115 V AC, single-phase / U₂ 230 V AC, three-phase (internal voltage doubler)														
DC1-1D5D8NB-A20CE1	FS2	100	100	1.1	DX-BR3-100	100	0.2	18	22	DX-BR100-0K4	100	0.4	36	44
Mains voltage 230 V														
Supply voltage (50/60 Hz) U_{LN} 200 (-10 %) - 240 (+10 %) V														
U_e 230 V AC, single-phase / U₂ 230 V AC, three-phase														
DC1-127D0NB-A20CE1	FS2	100	100	1.5	DX-BR3-100	100	0.2	13	16	DX-BR100-600	100	0.6	40	48
DC1-127D0FB-A20CE1														
DC1-12011NB-A20CE1	FS2	50	50	2.2	DX-BR3-100	100	0.2	9	11	DX-BR050-720	50	0.72	33	39
DC1-12011FB-A20CE1														
DC1-12015NB-A20CE1	FS3	22	25	4	DX-BR024-720	24	0.72	18	22	DX-BR025-1440	25	1.44	36	43
Mains voltage 230 V														
Supply voltage (50/60 Hz) U_{LN} 200 (-10 %) - 240 (+10 %) V														
U_e 230 V AC, three-phase / U₂ 230 V AC, three-phase														
DC1-327D0NB-A20CE1	FS2	100	100	1.5	DX-BR3-100	100	0.2	13	16	DX-BR100-600	100	0.6	40	48
DC1-327D0FB-A20CE1														
DC1-32011NB-A20CE1	FS2	50	50	2.2	DX-BR3-100	100	0.2	9	11	DX-BR050-720	50	0.72	33	39
DC1-32011FB-A20CE1														
DC1-32018NB-A20CE1	FS3	24	25	4	DX-BR024-720	24	0.72	18	22	DX-BR025-1440	25	1.44	36	43
DC1-32018FB-A20CE1														
DC1-32024NB-A20CE1	FS3	20	20	5.5	DX-BR020-960	20	0.96	17	21	DX-BR025-1920	25	1.92	35	42
DC1-32024FB-A20CE1														
DC1-32030NB-A20CE1	FS4	15	15	7.5	DX-BR020-960	20	0.96	13	15	DX-BR027-2880	27	2.88	38	46
DC1-32030FB-A20CE1														
DC1-32046NB-A20CE1	FS4	10	10	11	DX-BR020-960	20	0.96	9	10	DX-BR012-5K1	12	5.1	46	56
DC1-32046FB-A20CE1														

6 Technical Data

6.9 Braking resistances

Device Type	Resistance value				Braking resistance (Low duty)				Braking resistance (High duty)					
	size	R _{Bmin} Ω	R _{Brec} Ω	P _{max} kW	Part no.	R _{Brec} Ω	P _{max} kW	DF %	t _{Brems} s	Part no.	R _{Brec} Ω	P _{max} kW	DF %	t _{Brems} s
Mains voltage 400 V														
Supply voltage (50/60 Hz) U_{LN} 380 (-10 %) - 480 (+10 %) V														
U_e 400 V AC, three-phase / U₂ 400 V AC, three-phase														
DC1-344D1NB-A20CE1	FS2	210	250	1.5	DX-BR210-200	210	0.2	13	16	DX-BR216-600	216	0.6	40	48
DC1-344D1FB-A20CE1														
DC1-345D8NB-A20CE1	FS2	200	200	2.2	DX-BR200-0K4	200	0.4	18	22	DX-BR200-0K8	200	0.8	36	44
DC1-345D8FB-A20CE1														
DC1-349D5NB-A20CE1	FS2	120	120	4	DX-BR150-0K5	150	0.5	13	15	2& DX-BR075-1K1	150	2.2	55	66
DC1-349D5FB-A20CE1														
DC1-34014NB-A20CE1	FS3	100	100	5.5	DX-BR100-0K8	100	0.8	15	17	2& DX-BR075-1K1	150	2.2	40	48
DC1-34014FB-A20CE1														
DC1-34018NB-A20CE1	FS3	80	80	7.5	DX-BR100-960	100	0.96	13	15	3& DX-BR035-1K1	105	3.3	44	53
DC1-34018FB-A20CE1														
DC1-34024NB-A20CE1	FS3	50	50	11	DX-BR050-1440	50	1.44	13	16	DX-BR050-5K1	50	5.1	46	56
DC1-34024FB-A20CE1														
DC1-34030NB-A20CE1	FS4	30	30	15.3	DX-BR050-1920	50	1.92	13	15	DX-BR047-9K2	47	9.2	61	74
DC1-34030FB-A20CE1														
DC1-34039NB-A20CE1	FS4	22	22	18.5	DX-BR025-1920	25	1.92	10	12	DX-BR022-9K2	22	9.2	50	60
DC1-34039FB-A20CE1														
DC1-34046NB-A20CE1	FS4	22	22	22	DX-BR025-1920	25	1.92	9	10	DX-BR022-9K2	22	9.2	42	50
DC1-34046FB-A20CE1														

Resistance values:

R_{Bmin} = Minimum permissible resistance;

R_{Brec} = Recommended resistance

P_{max} = Rated power for low-duty and high-duty classifications

2& DX-BR... = 2 units of this model connected in series; 3& DX-BR... = 3 units of this model connected in series;

6.10 Motor chokes

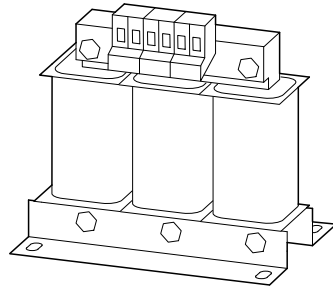


Figure 84: Motor choke DX-LM3...

Table 41: Motor chokes that should be used

Device Type	Rated operational current I_e A	Motor choke (three-phase) that should be used Max. U_{LN} : 750 VAC +0%; max. f_2 : 400 Hz Maximum f_{PWM} switching frequency: 12 kHz (rms) ¹⁾ Maximum ambient air temperature: 70 °C			
		Type (max. 50 °C)		Type (max. 40 °C)	
		I_e A	I_e A	I_e A	I_e A
DC1-1D2D3...	2.3	DX-LM3-005	4.8	DX-LM3-005	5
DC1-1D4D3...	4.3	DX-LM3-005	4.8	DX-LM3-005	5
DC1-1D5D8...	5.8	DX-LM3-008	7.6	DX-LM3-008	8
DC1-122D3...	2.3	DX-LM3-005	4.8	DX-LM3-005	5
DC1-124D3...	4.3	DX-LM3-005	4.8	DX-LM3-005	5
DC1-127D0...	7	DX-LM3-008	7.6	DX-LM3-008	8
DC1-12011...	10.5	DX-LM3-016	15.2	DX-LM3-011	11
DC1-12015...	15.3	DX-LM3-016	15.2	DX-LM3-016	16
DC1-322D3...	2.3	DX-LM3-005	4.8	DX-LM3-005	5
DC1-324D3...	4.3	DX-LM3-005	4.8	DX-LM3-005	5
DC1-327D0...	7	DX-LM3-008	7.6	DX-LM3-008	8
DC1-32011...	10.5	DX-LM3-016	15.2	DX-LM3-011	11
DC1-32018...	18	DX-LM3-035	33.3	DX-LM3-035	35
DC1-32024...	24	DX-LM3-035	33.3	DX-LM3-035	35
DC1-32030...	30	DX-LM3-035	33.3	DX-LM3-035	35
DC1-32046...	46	DX-LM3-050	47.5	DX-LM3-050	50

1) f_{PWM} switching frequency \leq 12 kHz (rms) \rightarrow DC1 variable frequency drive setting: \leq 24 kHz in parameter P-17 (double modulation)

6 Technical Data

6.10 Motor chokes

Device Type	Rated operational current I_e A	Motor choke (three-phase) that should be used Max. U_{LN} : 750 VAC +0%; max. f_2 : 400 Hz Maximum f_{PWM} switching frequency: 12 kHz (rms) ¹⁾ Maximum ambient air temperature: 70 °C			
		Type (max. 50 °C)		Type (max. 40 °C)	
		I_e A	I_e A	I_e A	I_e A
DC1-342D2...	2.2	DX-LM3-005	4.8	DX-LM3-005	5
DC1-344D1...	4.1	DX-LM3-005	4.8	DX-LM3-005	5
DC1-345D8...	5.8	DX-LM3-008	7.6	DX-LM3-008	8
DC1-349D5...	9.5	DX-LM3-011	10.5	DX-LM3-011	11
DC1-34014...	14	DX-LM3-016	15.2	DX-LM3-016	16
DC1-34018...	18	DX-LM3-035	33.3	DX-LM3-035	35
DC1-34024...	24	DX-LM3-035	33.3	DX-LM3-035	35
DC1-34030...	30	DX-LM3-035	33.3	DX-LM3-035	35
DC1-34039...	39	DX-LM3-050	47.5	DX-LM3-050	50
DC1-34046...	46	DX-LM3-050	47.5	DX-LM3-050	50

1) f_{PWM} switching frequency \leq 12 kHz (rms) \rightarrow DC1 variable frequency drive setting: \leq 24 kHz in parameter P-17 (double modulation)



For more information and technical data on DX-LM3... motor chokes, please refer to instruction leaflet IL00906003Z.

6.11 Sine filter

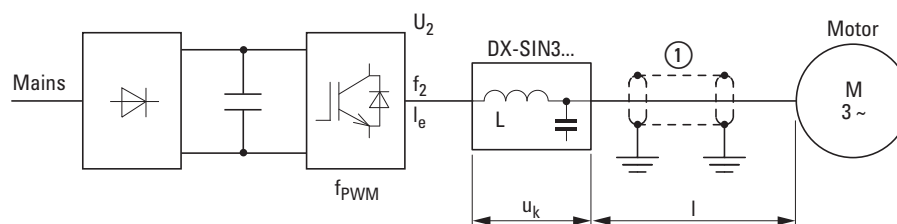


figure 85: Maximum permissible motor cable lengths

- ① Screened motor cable: $U_2 \leq 230 \text{ V} \rightarrow l \leq 200 \text{ m}$; $U_2 \leq 500 \text{ V} \rightarrow l \leq 150 \text{ m}$
 Unscreened motor cable: $U_2 \leq 230 \text{ V} \rightarrow l \leq 300 \text{ m}$; $U_2 \leq 500 \text{ V} \rightarrow l \leq 200 \text{ m}$

Table 42: Settings for parameter P-17

P-17	Set value	Description
0	4 kHz	Impermissible value when using DX-SIN3... sine filter
1	8 kHz	Default setting – Set value (no derating) Effective switching frequency: 4 kHz
2	12 kHz	Effective switching frequency: 6 kHz
3	16 kHz	Effective switching frequency: 8 kHz
4	24 kHz	Effective switching frequency: 12 kHz
5	32 kHz	Effective switching frequency: 16 kHz

Note:
 Cannot be set on the following devices:

- DC1-12... (FS3)
- DC1-32... (FS3, FS4)
- DC1-34... (FS3, FS4)

6 Technical Data

6.11 Sine filter

Table 43: Assigned sine filters

Device Type	Rated operational current I_e A	Sine filter (three-phase) that should be used Max. U_{LN} : 520 VAC +0%, max. f_2 : 150 Hz Maximum carrier frequency f_{PWM} : 4 - 8 kHz (rms) ¹⁾ Maximum ambient temperature: 50 °C			
		Type (max. 50 °C)		Type (max. 40 °C)	
			I_e A		I_e A
DC1-1D2D3...	2.3	DX-SIN3-004	3.8	DX-SIN3-004	4
DC1-1D4D3...	4.3	DX-SIN3-010	9.5	DX-SIN3-010	10
DC1-1D5D8...	5.8	DX-SIN3-010	9.5	DX-SIN3-010	10
DC1-122D3...	2.3	DX-SIN3-004	3.8	DX-SIN3-004	4
DC1-124D3...	4.3	DX-SIN3-010	9.5	DX-SIN3-010	10
DC1-127D0...	7	DX-SIN3-010	9.5	DX-SIN3-010	10
DC1-12011...	11	DX-SIN3-016	15.2	DX-SIN3-016	16
DC1-12015...	15.3	DX-SIN3-016	15.2	DX-SIN3-016	16
DC1-322D3...	2.3	DX-SIN3-004	3.8	DX-SIN3-004	4
DC1-324D3...	4.3	DX-SIN3-010	9.5	DX-SIN3-010	10
DC1-327D0...	7	DX-SIN3-010	9.5	DX-SIN3-010	10
DC1-32011...	11	DX-SIN3-016	15.2	DX-SIN3-016	16
DC1-32018...	18	DX-SIN3-023	21.9	DX-SIN3-023	23
DC1-32024...	24	DX-SIN3-032	30.4	DX-SIN3-032	32
DC1-32030...	30	DX-SIN3-032	30.4	DX-SIN3-032	32
DC1-32046...	46	DX-SIN3-061	58	DX-SIN3-048	48
DC1-342D2...	2.2	DX-SIN3-004	3.8	DX-SIN3-004	4
DC1-344D1...	4.1	DX-SIN3-010	9.5	DX-SIN3-010	10
DC1-345D8...	5.8	DX-SIN3-010	9.5	DX-SIN3-010	10
DC1-349D5...	9.5	DX-SIN3-010	9.5	DX-SIN3-010	10
DC1-34014...	14	DX-SIN3-016	15.2	DX-SIN3-016	16
DC1-34018...	18	DX-SIN3-023	21.9	DX-SIN3-023	23
DC1-34024...	24	DX-SIN3-032	30.4	DX-SIN3-032	32
DC1-34030...	30	DX-SIN3-032	30.4	DX-SIN3-032	32
DC1-34039...	39	DX-SIN3-048	45.6	DX-SIN3-048	48
DC1-34046...	46	DX-SIN3-061	58	DX-SIN3-048	48

1) Required setting for parameter P-17: 8 - 32 kHz (double modulation).
This corresponds to an rms value of 4 - 8 kHz.



For more information and technical data on DX-SIN3... sine filters, please refer to instruction leaflet IL00906001Z.

7 Accessories

Device-specific DXC... accessories, as well as the general accessories from the PowerXL (DX...) system, are available for DC1 variable frequency drives.

7.1 Device-specific accessories

DCX... device-specific accessories are connected directly to the plug-in control signal terminals on DC1 variable frequency drives, making it easy to expand the drives' functionality.

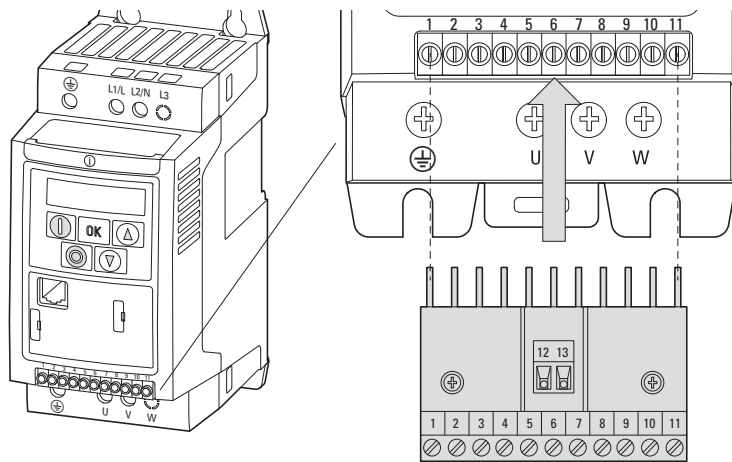


Figure 86: connecting DXC... to the control signal terminals on the DC1



The control terminals on the DC1 variable frequency drive are plug-in terminals. They can be screwed onto the expansion module in order to cover the pins (protection against contact).

7 Accessories

7.1 Device-specific accessories

7.1.1 DXC-EXT-IO... coupling module

Coupling modules DXC-EXT-IO110 and DXC-EXT-IO230 can be used to integrate the digital inputs on DC1 variable frequency drives directly into circuits with 110 VAC / 230 VAC. In the actual coupling mode, the inputs (connection terminals 1 to 4 and 12 and 13) are galvanically isolated from the variable frequency drive's digital inputs (DI1 to DI4).



For more information on the coupling modules and on output expansions, please refer to Application Note AP040032 (DC1, I/O Configuration).

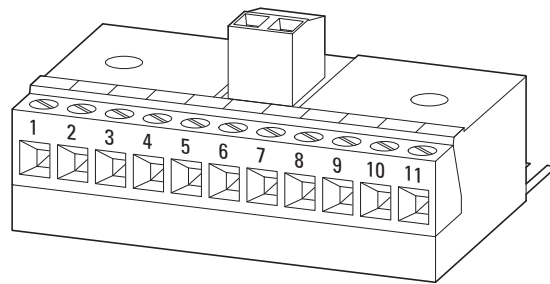


Figure 87: DXC-EXT-IO110 and DXC-EXT-IO230

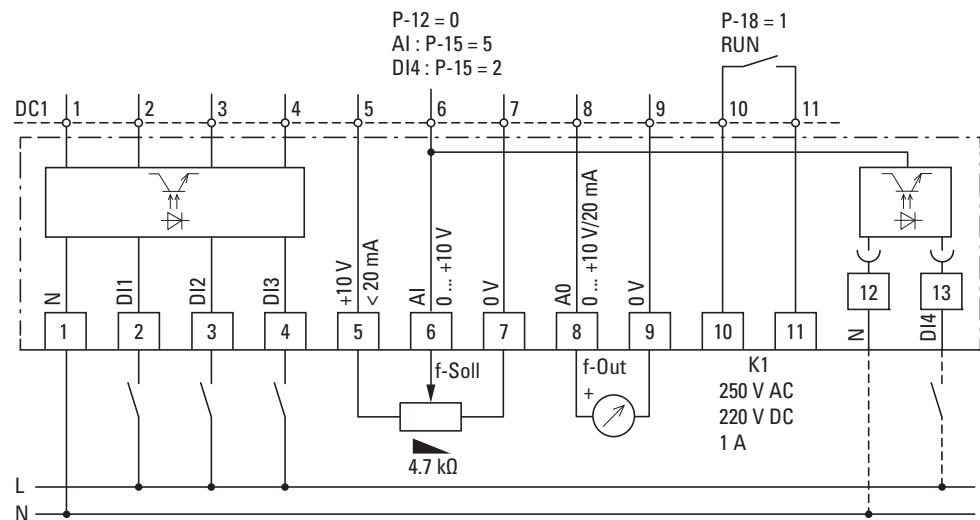


Figure 88: Block diagram DXC-EXT-IO110 and DXC-EXT-IO230

Parameters:

- P-12 = 0 Terminal mode (WE)
- P-15 = 5 WE = The analog value on terminal 6 will be used as the frequency reference value (AI)
- P-15 = 2 Terminal 12 and 13 digital input active (DI4)
- P-18 = 0 RUN (WE)

Table 44: Specific technical data DXC-EXT-IO...

Technical data	Unit	Value
Input voltage		
DXC-EXT-IO110	V	100 - 10 % - 120 + 10 %, 50/60 Hz (90 - 132 ± 0 %, 48 - 62 Hz ± 0 Hz)
DXC-EXT-IO230	V	200 - 10 % - 240 + 10 %, 50/60 Hz (180 - 264 ± 0 %, 48 - 62 Hz ± 0 Hz)
High signal		
DXC-EXT-IO110	V	80 - 250 , $R_i \approx 68 \text{ k}\Omega$
DXC-EXT-IO230	V	80 - 250 , $R_i \approx 68 \text{ k}\Omega$
Degree of protection (without the connection pins being covered by the DC1's control signal terminal block)		IP00



For detailed instructions on how to install the expansion modules, please refer to instruction leaflet IL04012016Z.

NOTICE

Internal relay K1 is looped with the expansion module, meaning it can only conduct a lower current ($\leq 1 \text{ A}$).



DANGER

Dangerous voltage!

Expansion modules DXC-EXT-IO110 and DXC-EXT-IO230 must not be placed into operation until all mounting and installation work has been completed. Any other use will be considered to be an inappropriate use.

7 Accessories

7.1 Device-specific accessories

7.1.2 DXC-EXT-2RO output expansion

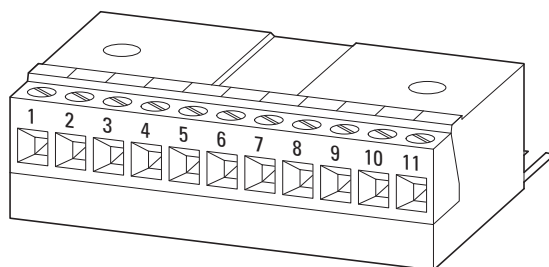


Figure 89: DXC-EXT-2RO

Expansion module DXC-EXT-2RO can be used to convert digital output DO1 (control signal terminals 8 and 9) on DC1 variable frequency drives to a potential-free contact relay output K2 (N/O). When this option is used, the variable frequency drive will have two potential-free relay outputs available and will be able to switch voltages of up to 250 VAC and 220 VDC.

Table 45: Specific technical data DX-EXT-2RO

Technical data	Unit	Value
Relay switching voltage		
K1 (control signal terminals 10, 11)	V	250 AC / 230 DC
K2 (control signal terminals 8, 9)	V	250 AC / 220 DC
Relay switching current		
K1 (control signal terminals 10, 11)	A	≤ 1
K2 (control signal terminals 8, 9)	A	≤ 1
Operating Temperature	°C	-10 - +50
Degree of protection (without the connection pins being covered by the DC1's control signal terminal block)		IP00



For detailed instructions on how to install the module, please refer to instruction leaflet IL04012015Z.

NOTICE

Internal relay K1 is looped with the expansion module, meaning it can only conduct a lower current (≤ 1 A).



DANGER

Dangerous voltage!

Expansion module DXC-EXT-2RO1AO must not be placed into operation until all mounting and installation work has been completed. Any other use will be considered to be an inappropriate use.

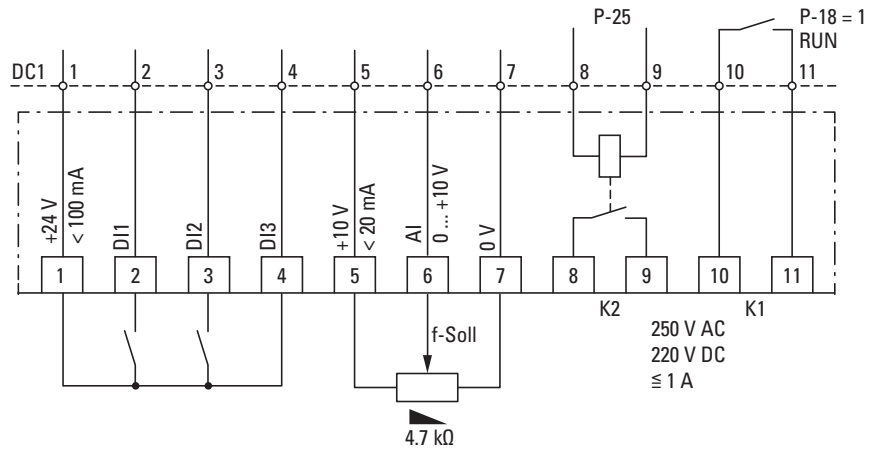


Figure 90: Block diagram DXC-EXT-2RO

Parameter Definition

The K1 relay output's function can be configured using parameter P-18 (default setting = 1: RUN). Meanwhile, the new K2 relay output's function can be configured using parameter P-25 (default setting = Analog output AO1).



Parameter P-25 must be set to a value between 0 and 7 in order for the output to function as a digital output. If the parameter is set to a value greater than 7, relay output K2 will not work properly.

7 Accessories

7.1 Device-specific accessories

7.1.3 DXC-EXT-2R01AO output expansion

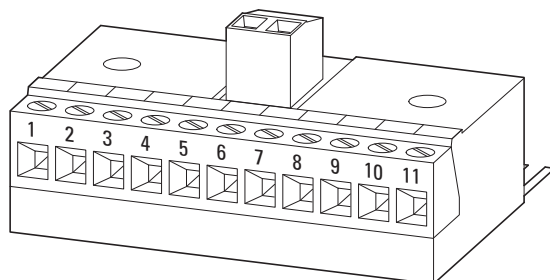


Figure 91: DXC-EXT-2R01AO

Expansion module DXC-EXT-2R01AO was developed with HVAC applications in mind. It can switch the “Drive running” and “Shutdown due to fault” messages with two separate relays (K1, K2).

Table 46: Specific technical data DXC-EXT-2R01AO

Technical data	Unit	Value
Output switching voltage		
K1 (control signal terminals 12, 13)	V	250 AC / 230 DC
K2 (control signal terminals 10, 11)	V	250 AC / 220 DC
A0	V	0 - 10 DC
Relay switching current		
K1 (control signal terminals 12, 13)	A	≤ 1
K2 (control signal terminals 10, 11)	A	≤ 1
A0	mA	< 20
Operating Temperature	°C	-10 - +50
Degree of protection (without the connection pins being covered by the DC1's control signal terminal block)		IP00



For detailed instructions on how to install the module, please refer to instruction leaflet IL04012014Z.

NOTICE

Internal relay K1 is looped with the expansion module, meaning it can only conduct a lower current (≤ 1 A).



DANGER

Dangerous voltage!

Expansion module DXC-EXT-2RO1AO must not be placed into operation until all mounting and installation work has been completed. Any other use will be considered to be an inappropriate use.

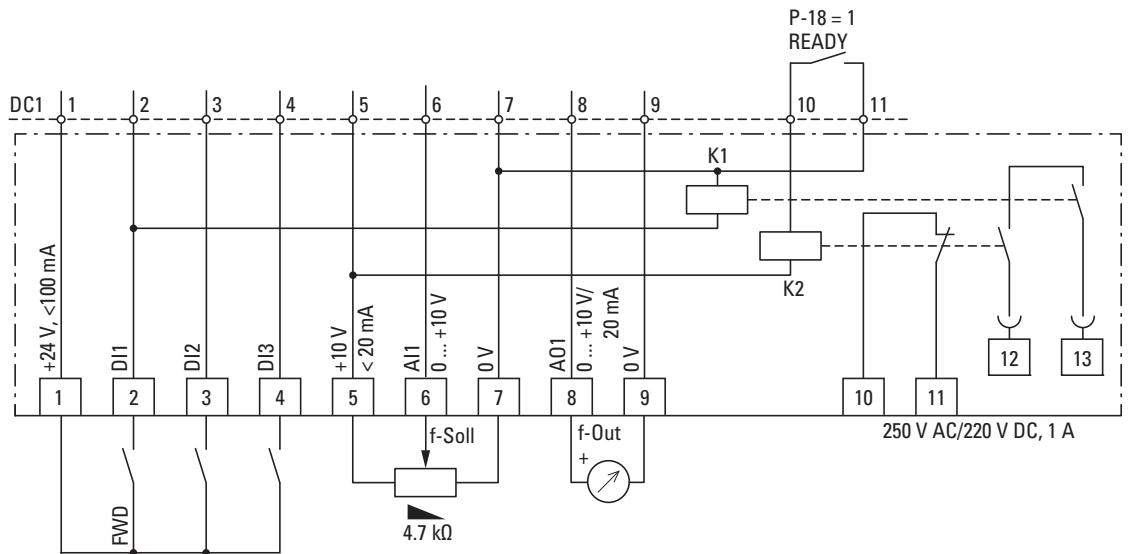


Figure 92: Block diagram DXC-EXT-2RO1AO

Parameter Definition

P-18 = 1: READY, variable frequency drive ready for operation

Typical operating mode (DXC-EXT-2RO1AO control signal terminals):

- 12/13 closed → There is an enable signal for operation (FWD), READY and RUN messages: Green indicator light, for example
- 10/11 closed → Error message (not READY): Red indicator light, for example



P-18 can also be used to select other operating messages for the DC1 variable frequency drive's internal relay (RO1) ("Parameter Manual" MN040022EN).

7 Accessories

7.1 Device-specific accessories

7.1.4 DXC-EXT-LOCSIM simulator

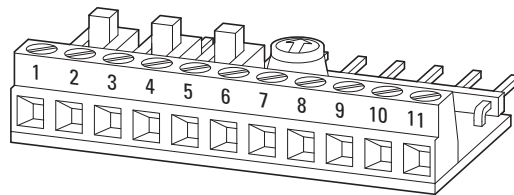


Figure 93: DXC-EXT-LOCSIM

DXC-EXT-LOCSIM is a simple commissioning and test simulator for DC1 variable frequency drives.

Three microswitches and a PCB mount potentiometer make it possible to easily put the variable frequency drive into operation “out of the box” based on the corresponding help cards when using the drive’s default settings → Section 4.6 “Help leaflets”, page 129.



For detailed instructions on how to install the module, please refer to instruction leaflet IL04012019Z.

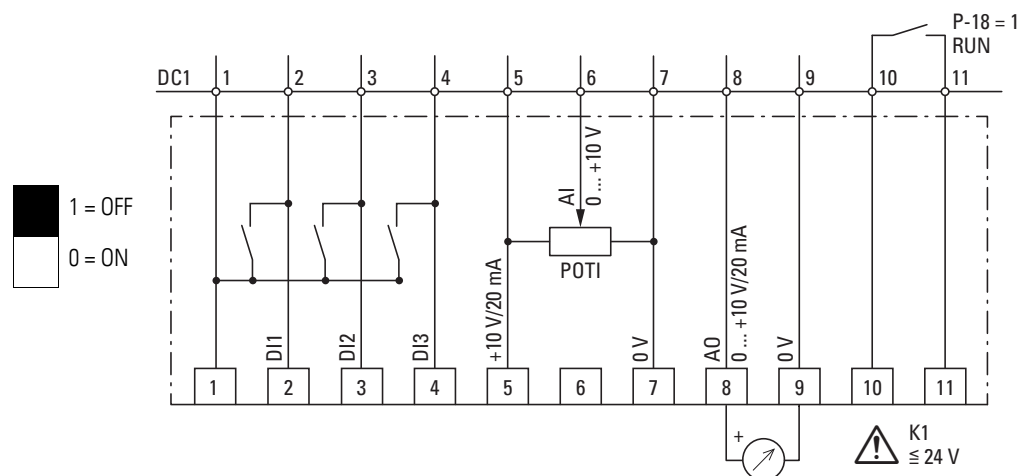


Figure 94: Block diagram DXC-EXT-LOCSIM simulator

The three microswitches can be used to directly drive (from left to right) the three digital inputs DI1, DI2, and DI3 with the internal control voltage (24 VDC). Meanwhile, the POTI PCB mount potentiometer can be turned clockwise to sets the frequency reference value (0 - 50 Hz).

The analog output signal from AO (0 - 10 VDC) will be available at control signal terminals 8 and 9 as per the output frequency (0 - 50 Hz).

NOTICE

Manual operation!

As per IEC 60449, only extra-low voltage should be connected to internal relay K1 via control signal terminals 10 and 11 (≤ 50 VAC, ≤ 120 VDC).

7.2 General accessories (List)

Table 47: PowerXL accessories

Part no.	Description	Document
DX-KEY-LED2 DX-KEY-OLED	External keypad	AP040022, IL04012020Z
DX-NET-SWD1	Interface card for connecting to a SmartWire-DT network	MN04012009Z, IL04012025Z
DX-COM-STICK2	Parameter copying stick for establishing a Bluetooth connection to PC software	MN040003, IL04012021Z
DX-COM-PCKIT	Wired communication between variable frequency drive and PC	MN040003, IL04012022Z
DX-CBL-PC1M5	Wired communication between variable frequency drive and PC	MN040003
DX-SPL-R145-2SL1PL	RJ45, 8-pin, splitter, 2 sockets, 1 plug on short connection cable	IL04012023Z
DX-SPL-RJ45-3SL	RJ45, 8-pin, splitter, 3 sockets	IL04012023Z
DX-SPL-RJ45	RJ45, 8-pin, splitter, 2 sockets, 1 plug	IL 040026ZU
DX-SPL-RJ45-TERM	RJ45, 8-pin, splitter, 1 socket, 1 plug, integrated bus termination resistor for CANopen and Modbus	IL 040026ZU
drivesConnect	PC parameter configuration software for variable frequency drives, with integrated oscilloscope function, drive control function, and function block creation for DA1	MN040003



If you intend to use an external keypad and/or a parameter copying stick with a DC1-...E1 variable frequency drive, please note that only models DX-KEY-LED**2** and DX-COM-STICK**2** will work.

DX-KEY-OLED can be used, but requires an update first.

7 Accessories

7.2 General accessories (List)

Index

A

Abbreviations	8
AC motors	58
AC supply systems	37
Accessories	173
After-Sales Service	33
Air circulation	61
Alarm messages	134
Application note	174

B

Baffle	62
Base-mounted filter	161
Block diagrams	101
Brake chopper	15, 16
Braking resistances	44, 165
Break-Down Service	33
Bus termination resistor	98
Bypass circuit	51

C

Cable brackets	74
Cable cross-sections	39, 151
Cable routing	69
Cable screw glands	87
Catalog number selection	16
Checklist	117
Commissioning	117
Connecting the power section	78
Connection	58
Digital input	97
to power section	78
Connection terminals	79, 82
Control cables	91
Control inputs	92
Control signal terminals	99
Cooling air	62
Coupling/interfaces components	174
Customer support	6

D

DC link voltage	33, 44
Degree of protection	15, 24, 25
Delta circuit	55
Derating	29

Device series

DC1-12...	18, 143
DC1-1D...	17, 142
DC1-32...	20, 144
DC1-34...	22, 146
Digital Input	97
Digital output	97
Dimensions	148
Disconnecting device	40
Display unit	16
DS	8
DXC-EXT-2RO1AO	178
DXC-EXT-IO110	93
DXC-EXT-IO230	93
DXC-EXT-LOCSIM	180
DX-COM-STICK2	181
DX-KEY-LED2	124, 181
DX-KEY-OLED	124, 181

E

Earth-fault protection	71
EASY-NT-R	98
Electrical power network	37
EMC (electromagnetic compatibility)	8, 68
EMC mounting adapter	65
EMC screw	72
Enclosure versions	59
Engineering	35
Equipment supplied	13
Error message, acknowledge	133
Error Messages	133

F

Fault Diagnostics	134, 136
Fault log	133
FE, see functional earth	8
Features	17
Fixing	
on mounting rail	65
with screws	64
Free space	62
Frequency	38
FS (frame size)	8
Functional earth	8
Fuses	40, 153
FWD (forward run, clockwise rotation field)	8

G			
Gland plates	75		
GND (ground)	8		
Ground contact currents	77		
H			
Harmonics	39		
Hazard warnings			
of material damages	7		
of personal injury	7		
Operational	118		
Help leaflets	129		
Hotline (Eaton Industries GmbH)	33		
I			
IGBT	8		
Inching operation	119, 156		
Inspection	32		
Installation	59		
Instruction leaflets	59		
Instructional leaflets	13		
Insulation tests	114		
Internal DC link capacitors	33		
Internet addresses	8		
K			
Keypad	124		
L			
Leakage currents	41, 68		
LED status indication	124		
Liquid fuses	153		
List of revisions	6		
Load groups	165		
M			
Magnet system	35		
Mains chokes	159, 160		
Mains connection	37		
Mains contactors	41, 156		
Mains supply voltages	9		
Mains voltage	9, 28, 38		
Maintenance	32		
Manufacturing date	15		
Minimum clearances	63		
Motor cable	84		
Motor choke	47		
motor choke	169		
Motor earthing	71		
Motor protection function	132		
Motor Selection	54		
Motor terminal box	84		
Mounting	60		
Mounting position	59, 61		
N			
Nameplate	14		
Network configuration	37		
P			
Parameter access, extended	133		
Parameter Groups	126		
Parameter manual (DC1)	6		
Parameter structure	126		
Part no.	15		
PDS (power drive system)	8, 35		
PE (Protective Earth)	8		
PES (protective earth shielding)	8		
Power networks	9, 37		
Protective devices	153		
Protective earth	8, 70		
R			
Radio interference suppression filter	161		
Rated motor current	28		
Rated operational data	14, 137, 141		
Rating plate	55		
Reactive power compensation devices	39		
Reset	125		
Residual current circuit-breakers	41		
Residual Current Device	41		
REV (reverse run, anticlockwise rotation field active)	8		
RJ 45 interface	24, 98		
S			
Screen braid	84		
Screened cable	73		
Screened motor cable	85		
Screws	64		
Selection criteria, for variable frequency drives	28		
Serial Number	15		
Service	33		
Setting parameters	127		
Shielding	73		
Side-mounting filter	161		
Signal cables	69		
Sine filter	171		
Sizes	148		

Standards	115
IEC 60364	I
IEC 60364-4-41	I
IEC/EN 60204-1	I
Star connection	55
Storage	32
Stripping lengths	90
Supply voltage	28
Switch-disconnectors	50
Switching Frequency	161
System overview	12

T

Technical data	137
Terminal capacities	90
THD (Total Harmonic Distortion)	39
Thermistor connection	100
Three-phase motor	55
Tightening torques	64
Transistor output	94

U

UL (underwriters laboratories)	8
Units of measurement	9

V

VAR screw	73
Voltage balance	38
Voltage categories	26
Voltage drop, permissible	9
Voltage source, external	93

W

Warranty	33
Wiring system	28, 55