

Modulay LG



The Modulay LG is a high performance IP20 LED 600x600 flat panel luminaire with a prismatic diffuser to reduce glare and increase visual comfort.

Sleek minimalist design, with even lit appearance the Modulay LG is a perfect alternative to a traditional fluorescent solution with reduced energy consumption, (Approximately 50% less energy usage than an equivalent 4 x 18W fluorescent).

Suitable for a wide range of applications where a slim line low glare lay-in solution is desired.

- Facilitates UGR 19 scheme compliance per LG7
- Complies with display screen equipment glare requirements per EN12464-1
- Easy to clean IP20 wipeable surface
- 3400 lumen output
- 4000K colour temperature
- Simple installation, low profile lay-in solution with a plug and socket (twist and lock) driver connection
- Efficacy of 93 Llm/cW
- ENEC driver, DALI option
- Surface mount box accessory available

Light Engine and Control Gear Options

- 4000K high output, high efficiency optimised LED panel illumination, >80CRI
- Fixed output LED driver (ENEC) as standard, DALI option available
- Emergency, 3hr duration option available

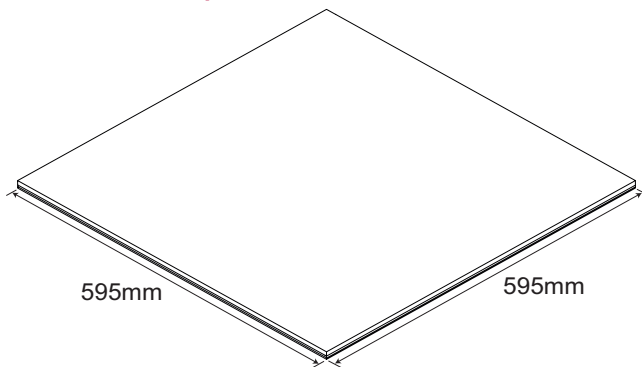
Materials

- Housing back plate – steel
- Panel frame – extruded aluminium in white finish
- Panel optic – Prismatic polystyrene

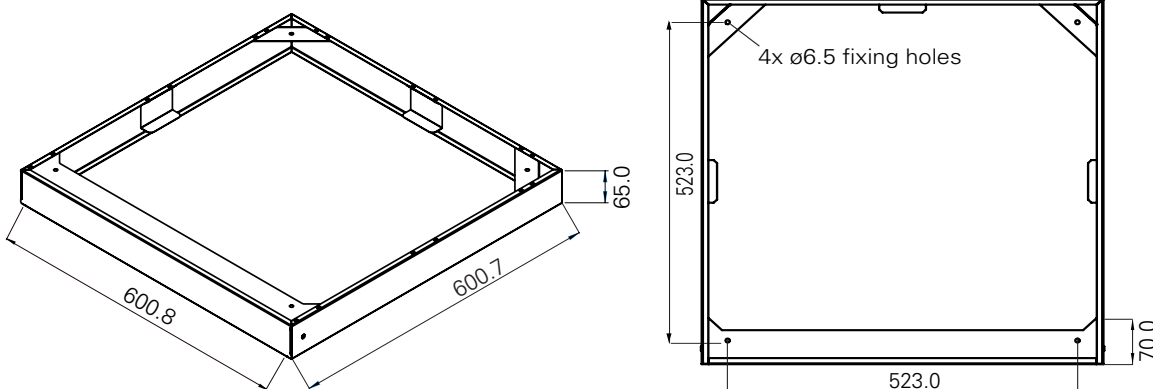
Installation Notes

- Suitable for exposed 'T' ceilings, lay-in installation
- Remote driver on plug and socket (twist and lock) connection
- Mains connection is direct to the driver as standard
- The luminaire panels and driver are IP20 rated

Dimensions - Modulay LG



Dimensions - Surface mount box

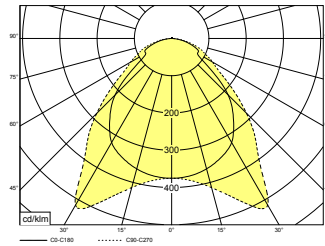


Specification

To specify state; Flat panel edge lit LED, IP20 rated, with prismatic polystyrene panel, extruded aluminium in white finish, plug and socket (twist and lock) connection mains to ENEC driver (IP20) as Eaton's Modulay LG range, part no _____

Photometric Data

Cat. No: MLGUGR66344KZ



Utilisation factors

Reflectances			Room Index								
C	W	F	0.75	1.0	1.25	1.5	2	2.5	3.0	4.0	5.0
0.7	0.5	0.2	61	71	78	83	90	95	98	102	105
0.7	0.3	0.2	53	64	71	77	84	90	93	98	101
0.7	0.1	0.2	48	58	66	72	80	85	89	95	99
0.5	0.5	0.2	59	69	76	80	87	91	94	98	100
0.5	0.3	0.2	52	63	70	75	82	87	90	95	98
0.5	0.1	0.2	47	58	65	70	78	83	87	92	95
0.3	0.5	0.2	58	67	73	78	84	88	91	94	97
0.3	0.3	0.2	52	62	68	73	80	85	88	92	94
0.3	0.1	0.2	47	57	64	69	77	81	85	90	92
0	0	0	45	55	62	67	73	78	81	85	88
BZ-class			4	4	4	4	4	4	4	4	4

Weight (kg)

2.28

Catalogue Numbers

Cat No	Description	Nominal Lumens	Circuit Watts (W)	Lumen output	Luminaire Efficiency (Llm/cW)	Colour Temperature °K	Power Factor
MLGUGR66344KZ	Modulay LG 3400lm 4000K	3400	36	3350	93	4000K	>.95
MLGSUSKIT	Modulay LG Suspension kit	-	-	-	-	-	-
MLG60SMK	Modulay LG Surface mount box	-	-	-	-	-	-

For emergency option add characters **ER** in from of the Cat No, example MLGUGR66344KZ becomes **ERMLGUGR66344KZ**

For DALI option replace characters **KZ** with **DD** example MLGPP66345**KZ** becomes MLGUGR66345**DD**

For Emergency with DALI dim option the part number would be **ERMLGUGR66345DD**