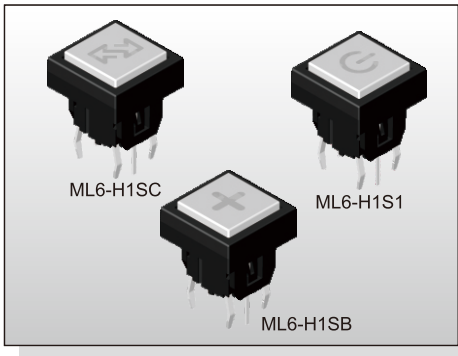


ILLUMINATED SWITCH ML6-H1 SERIES

Tact Switch
Illuminated



FEATURES

- ✘ Customized cap options
- ✘ Bi-color LED available
- ✘ Long operating life

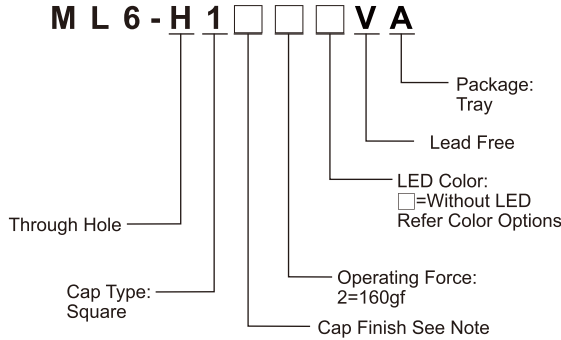
APPLICATION

- ✘ Sever, modem, data storage
- ✘ Audio module
- ✘ Office equipment

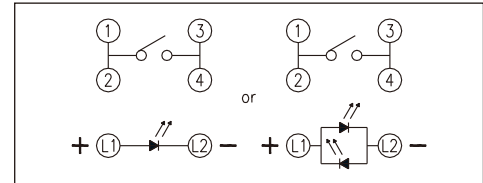
SPECIFICATION

Contact Rating	50mA, 12V DC
Contact Resistance	100mΩ max.
Insulation Resistance	100MΩ min. 100V DC
Dielectric Strength	250V AC/1 minute
Operating Force	160±50gf
Travel	0.25mm
Operating Life	300,000 cycles
Operating Temp.	-40°C ~ +85°C
Storage Temp.	-40°C ~ +85°C

HOW TO ORDER



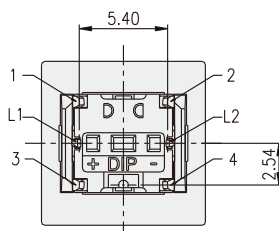
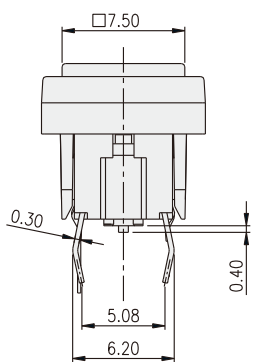
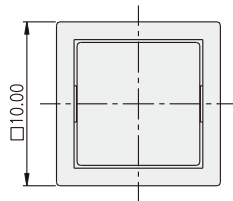
CIRCUIT



PACKAGE

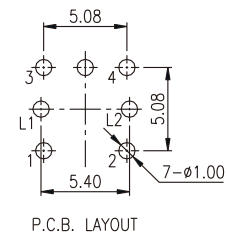
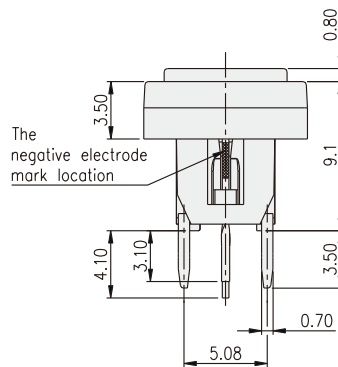
<Tray>
100 pcs.

ML6-H1



LED Color Options:

Part No.	Color	Dominant Wavelength λ_p Typ.(nm)	Luminous Intensity I_v (mcd)	Forward Voltage V_f (V)		View Angle $2\theta_{1/2}$ (Degree)
			Typ.	Typ.	Max.	
B	Blue	470	70	3.0	3.6	140°
PG	Pure Green	520	160	3.2	3.6	
G	Yellow Green	570	30	2.0	2.3	
Y	Yellow	590	60	2.0	2.3	
A	Soft Orange	605	50	2.0	2.3	
R	Red	630	60	2.0	2.3	
W	Cold White	X:0.26 / Y:0.23	350	3.0	3.6	



Note :

	CAP	
	Mark	Color
S1		Silver
S2	Reset	Silver
SA	-	Silver
SB	+	Silver