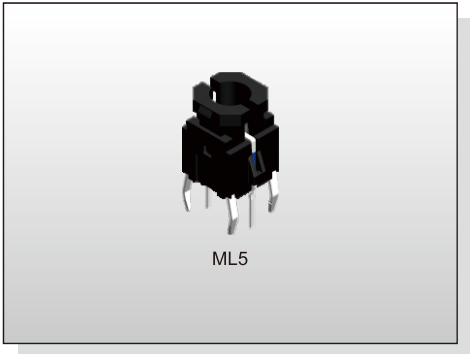


# ILLUMINATED SWITCH ML5 SERIES

Tact Switch  
Illuminated



## FEATURES

- ※Silicone structure for low noise
- ※Long travel
- ※Options of differen LED color

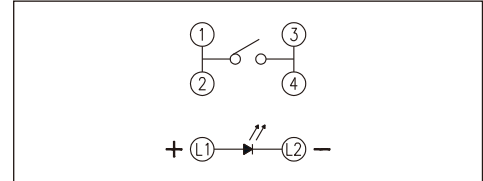
## APPLICATION

- ※Audio device
- ※Office equipment
- ※Communication apparatus

## SPECIFICATION

Contact Rating	50mA, 12V DC
Contact Resistance	100mΩ max.
Insulation Resistance	100MΩ min. 500V DC
Dielectric Strength	250V AC/1 minute
Operating Force	200±70gf
Travel	1.2mm
Operating Life	50,000 cycles
Operating Temp.	-40°C ~ +85°C
Storage Temp.	-40°C ~ +85°C

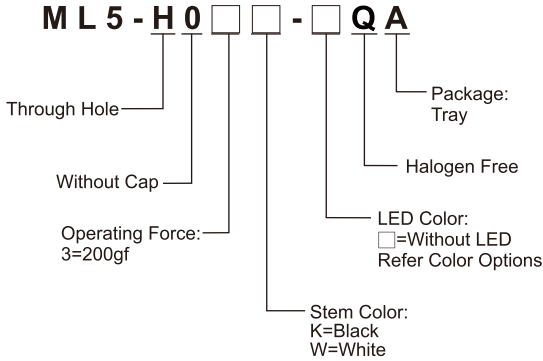
## CIRCUIT



## PACKAGE

<Tray>  
140 pcs.

## HOW TO ORDER



## ML5

## LED Color Options:

Part No.	Color	Dominant Wavelength $\lambda_p$ Typ.(nm)	Luminous Intensity $I_v$ (mcd)		Forward Voltage $V_F$ (V)		View Angle $2-\theta_{1/2}$ (Degree)
			Typ.	Max.	Typ.	Max.	
B	Blue	470	80		3.0	3.6	140°
PG	Pure Gree	520	160		3.2	3.6	
G	Yellow Green	570	30		2.0	2.3	
Y	Yellow	590	60		2.0	2.3	
A	Soft Orange	605	50		2.0	2.3	
R	Deep Red	640	25		2.0	2.3	
W	Cold White	X:0.26 / Y:0.23	350		3.0	3.6	

