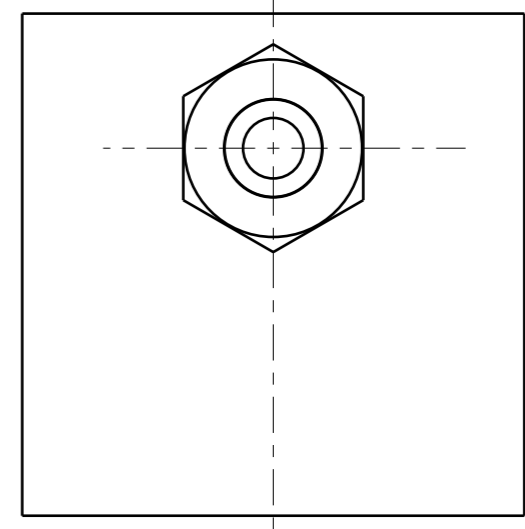
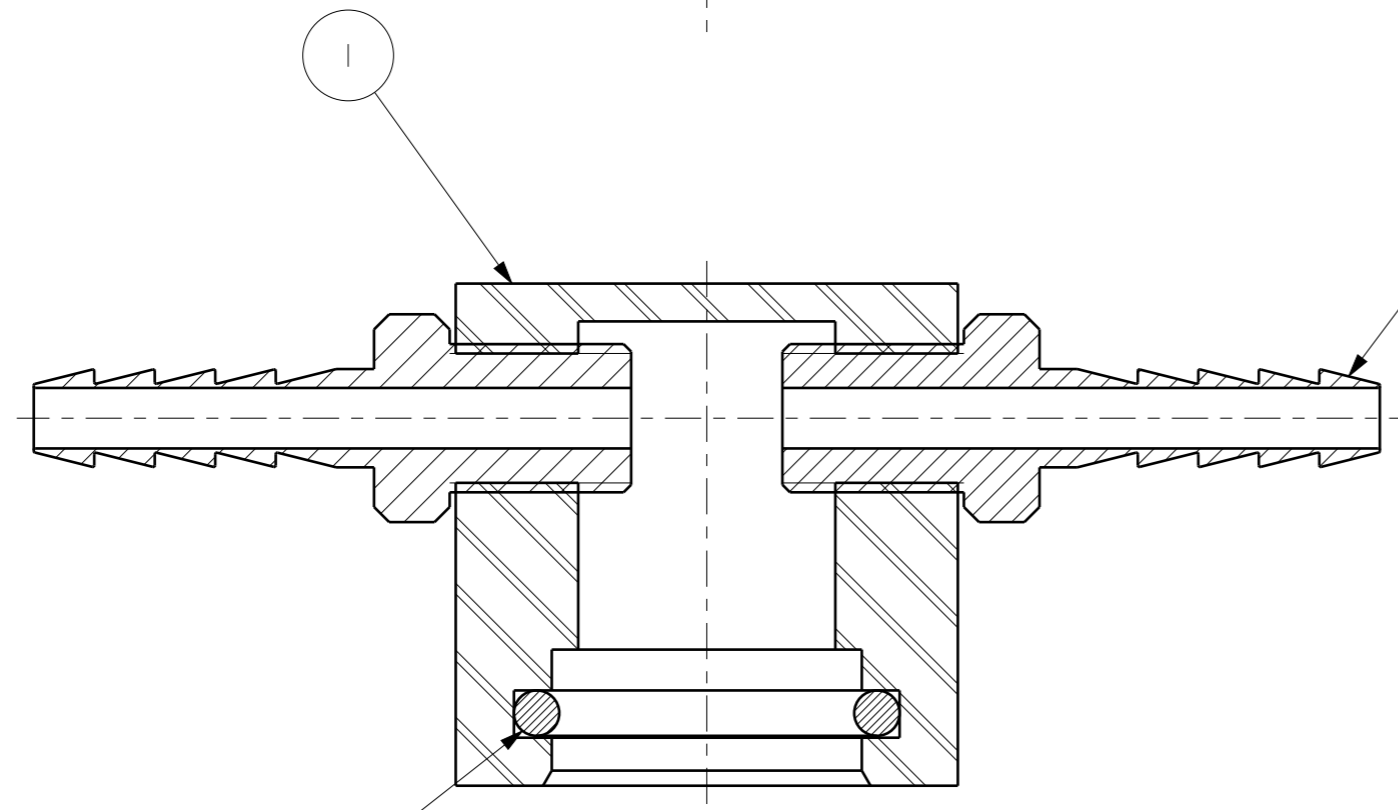


SCALE 1:1



REF.	PART NO.	DESCRIPTION	QTY.
1	JPP762258AA	MINISENSOR GAS CAP	1
2	M82286A	O-RING 19.50 ID x 3.00	1
3	M82287A	BRASS HOSE TAIL 1/8 BSSP	2

MATERIAL		SECURITY CLASSIFICATION		PROJECT SAFETY OFFICER (PSO)	
FINISH		e2v e2v technologies (uk) ltd 106 Waterhouse Lane, Chelmsford Essex, CMI 2QU United Kingdom Pro/ENGINEER		TITLE	
MODELLED				FLOW HOOD ASSEMBLY	
DRAWN		THIRD ANGLE PROJECTION		SCALE	
CHECKED				2:1	
APPROVED				SHOULD THIS DRAWING BE DISTRIBUTED ELECTRONICALLY, THE DATA CONTAINED MUST BE CHECKED WITHIN THE DIMENSIONAL CONSTRAINTS SHOWN BEFORE TRANSFER TO ANY FORM OF COMPUTER AIDED MANUFACTURE.	
GENERAL TOLERANCE UNLESS OTHERWISE STATED		MACHINED FINISH		VERSION	
LINEAR ±		ANGULAR ±		1 ECR	
		16/ (BS:1134) UNLESS OTHERWISE STATED		107155	
				DATE	
				15-OCT-09	
				SHEET 1 OF 1	
A3		© e2v technologies (uk) ltd 2009. A Limited Company Registered in England No. 432014. Registered Office: 106 Waterhouse Lane, Chelmsford CMI 2QU, UK. Holding Company: e2v technologies plc. This document is supplied by e2v technologies (uk) ltd on the express understanding that it is to be treated as confidential and that it may not be copied, used or disclosed to others in whole or in part for any purpose except as authorised in writing by e2v technologies (uk) ltd.			