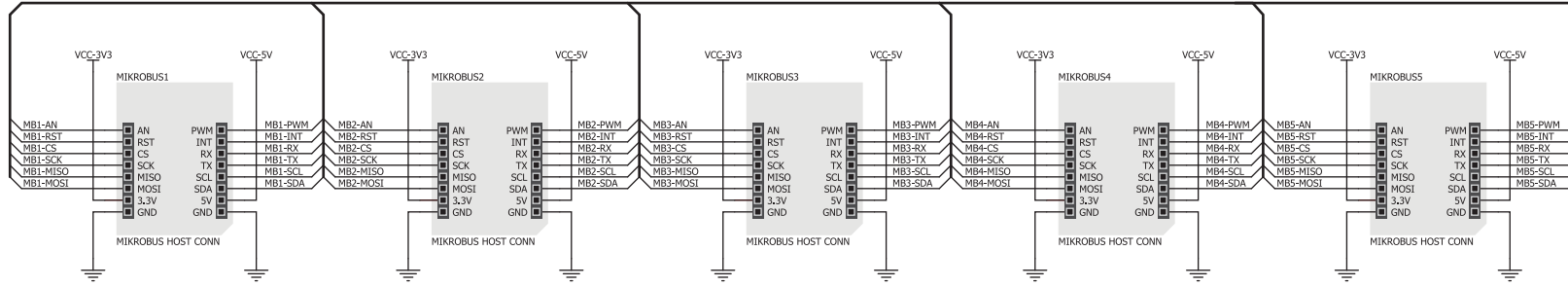




for KINETIS v8 DEVELOPMENT BOARD

SCHEMATIC

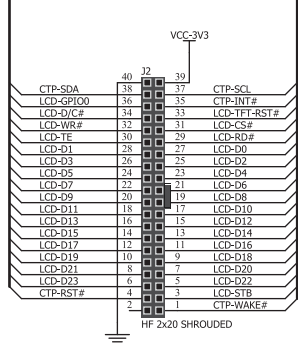
mikroBUS sockets



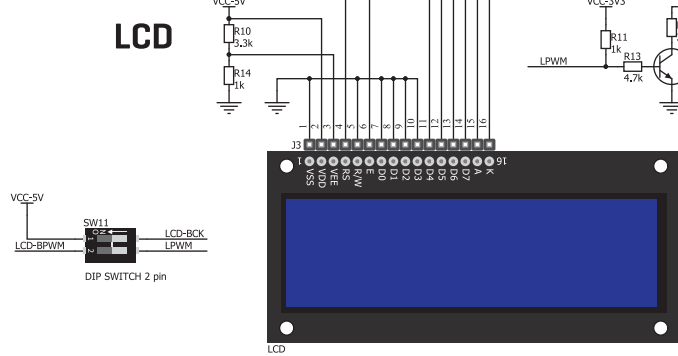
CODEGRIP PDU



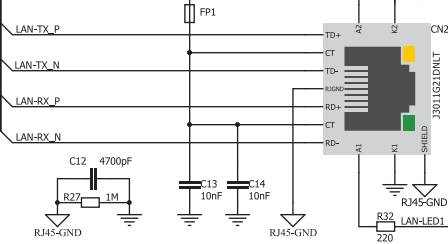
TFT Connector



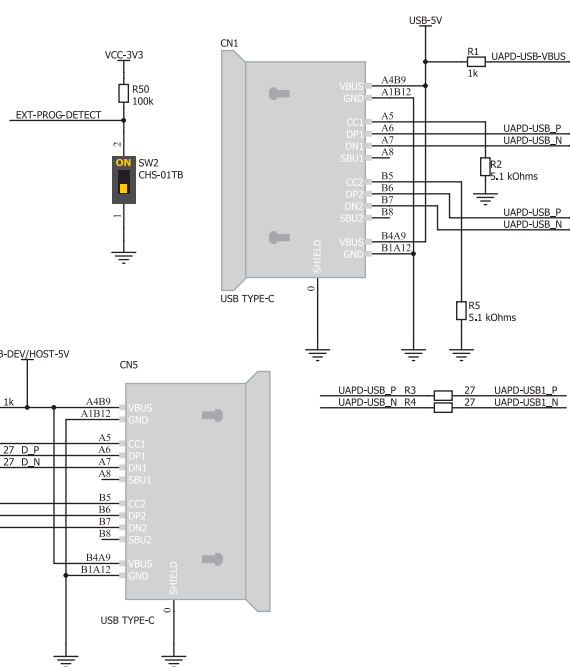
LCD



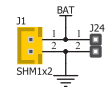
Ethernet



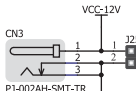
USB POWER/DEBUG



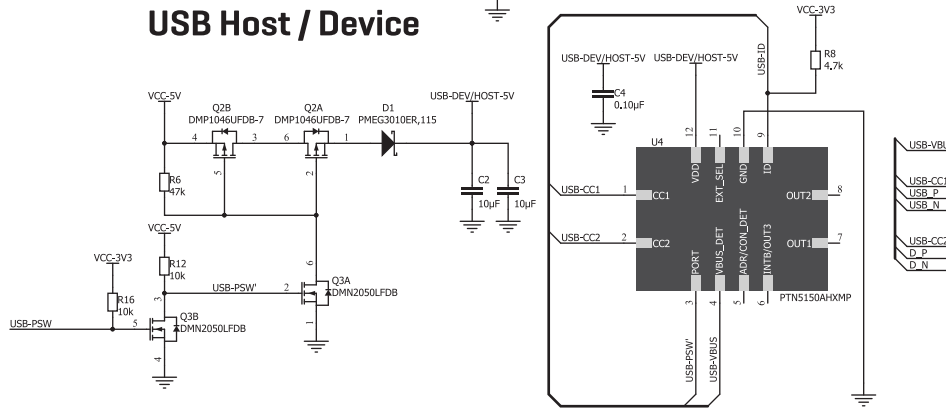
BATTERY



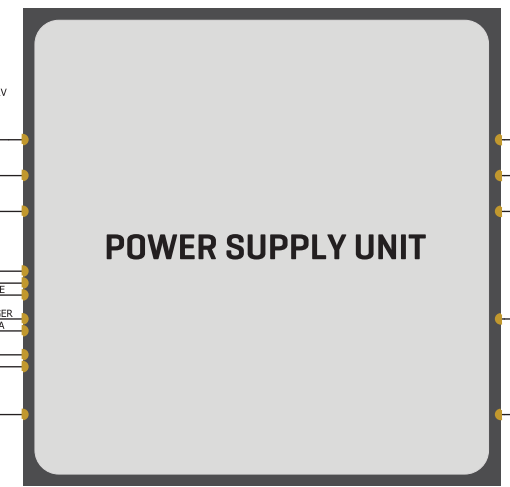
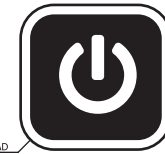
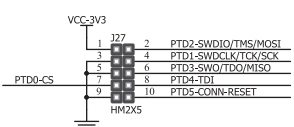
POWER 12VDC



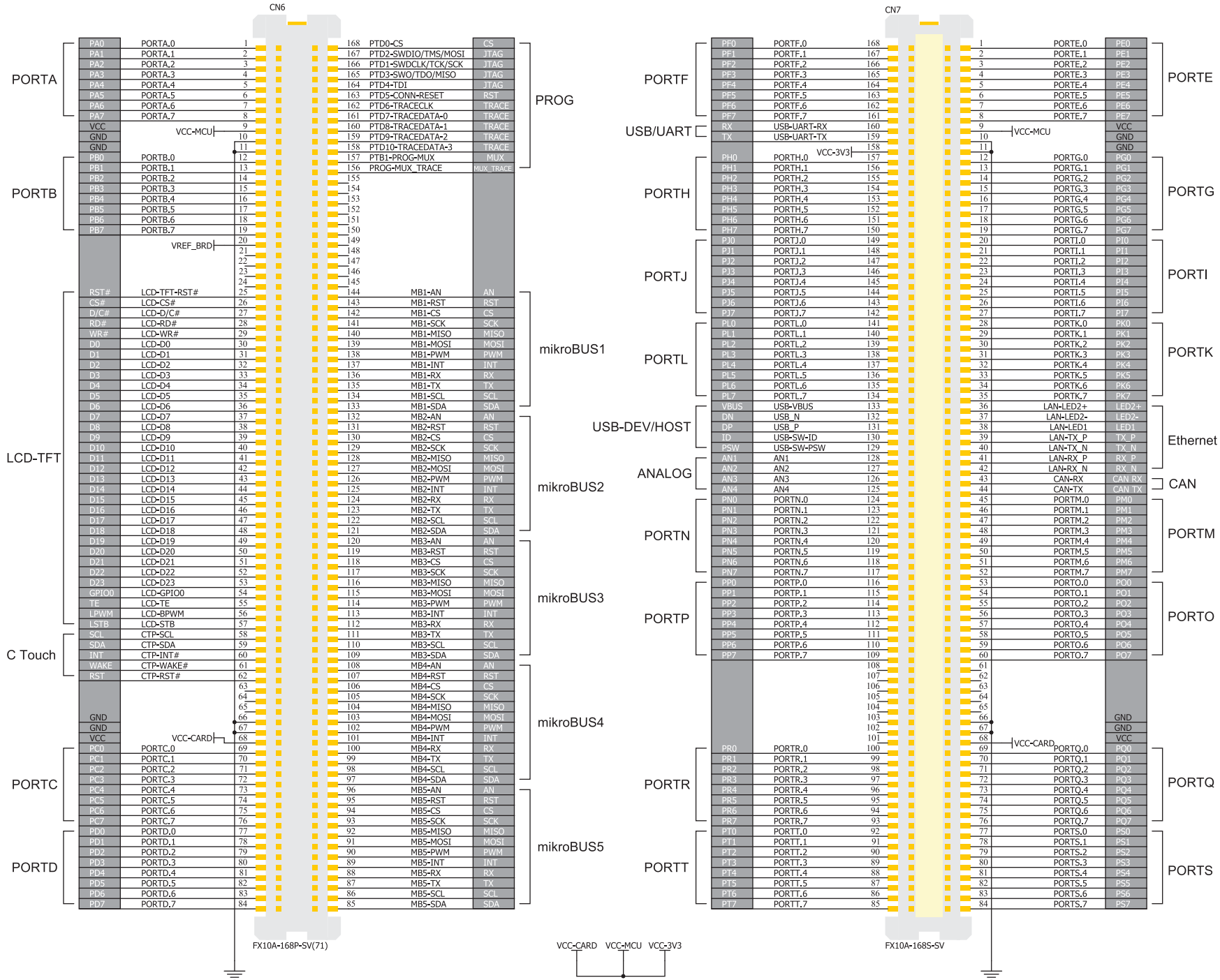
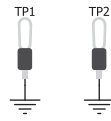
USB Host / Device



DBG SELECTION



MCU Card Socket



HW. REV. 1.1.11

